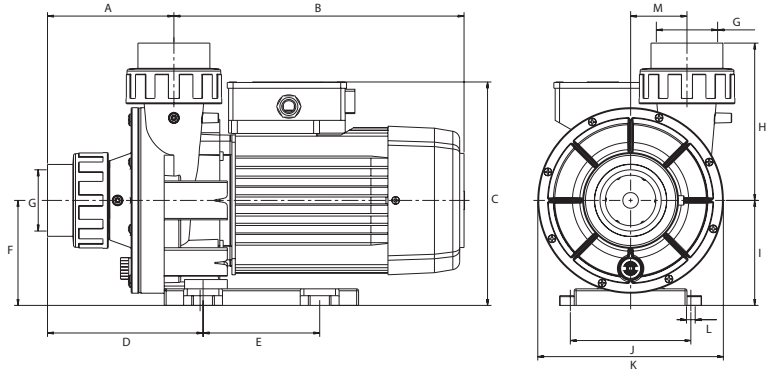
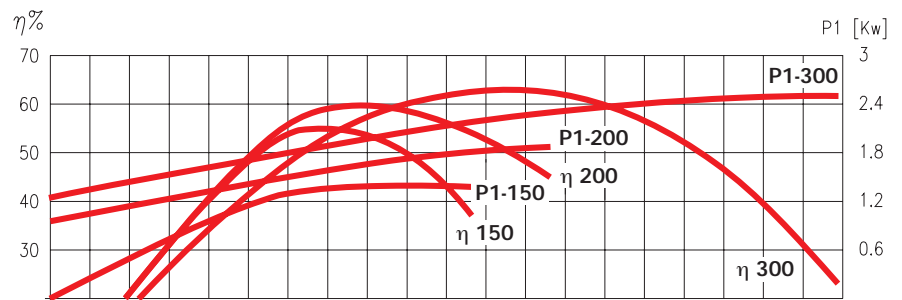
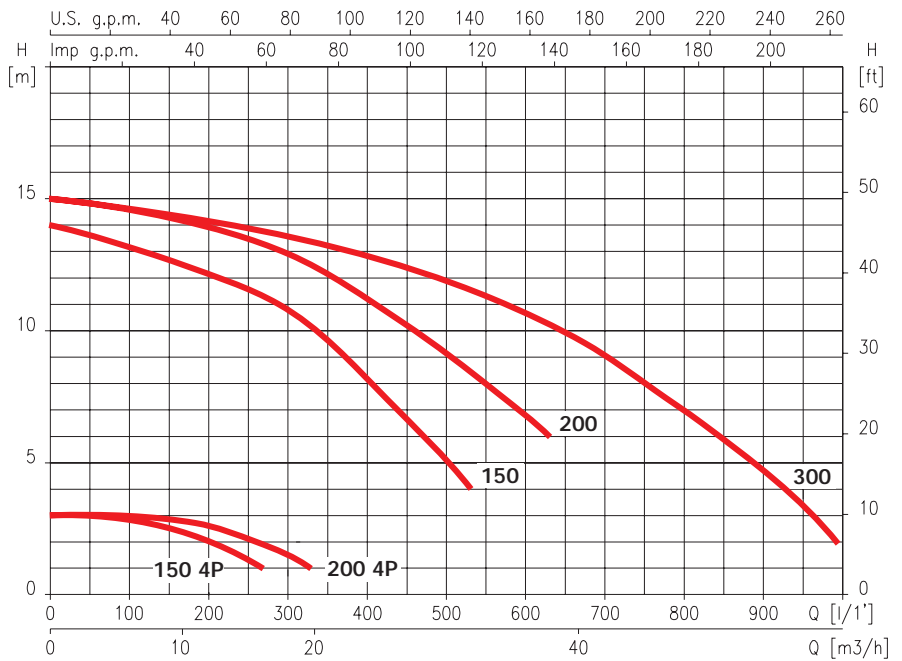


# Wiper 3



|              | A   | B     | C   | D   | E   | F   | G  | H   | I   | J   | K   | L | M  | Kg   |
|--------------|-----|-------|-----|-----|-----|-----|----|-----|-----|-----|-----|---|----|------|
| Wiper3 150 M | 130 | 298.7 | 230 | 160 | 120 | 108 | 63 | 162 | 108 | 124 | 191 | 9 | 29 | 14.3 |
| Wiper3 200 M | 130 | 298.7 | 230 | 160 | 120 | 108 | 63 | 162 | 108 | 124 | 191 | 9 | 29 | 17   |
| Wiper3 300 M | 130 | 298.7 | 230 | 160 | 120 | 108 | 63 | 162 | 108 | 124 | 191 | 9 | 29 | 18.8 |



| 230 V<br>50 Hz | 230/400 V<br>50 Hz | A           |             |             | P1 (kW) |     | kW   | HP   | μF | l/1' | 50   | 100  | 200  | 300  | 400  | 500  | 600  | 900 |
|----------------|--------------------|-------------|-------------|-------------|---------|-----|------|------|----|------|------|------|------|------|------|------|------|-----|
|                |                    | 1~<br>230 V | 3~<br>230 V | 3~<br>400 V | 1~      | 3~  |      |      |    |      |      |      |      |      |      |      |      |     |
| Wiper3 150M    | 2P Wiper3 150      | 6.4         | 5           | 2.9         | 1.4     | 1.2 | 1.1  | 1.5  | 25 |      | 13.3 | 13   | 12.1 | 10.8 | 8.2  | 5    |      |     |
|                | 4P                 | 1.4         | -           | -           | 0.35    | -   | 0.18 | 0.25 | 16 |      | 3    | 2.8  | 2    |      |      |      |      |     |
| Wiper3 200M    | 2P Wiper3 200      | 8.8         | 6.6         | 3.8         | 2       | 1.8 | 1.5  | 2    | 40 |      | 14.8 | 14.5 | 13.9 | 12.9 | 11.1 | 9.1  | 6.8  |     |
|                | 4P                 | 1.7         | -           | -           | 0.4     | -   | 0.18 | 0.25 | 16 |      | 3    | 2.8  | 2.6  | 1.5  |      |      |      |     |
| Wiper3 300M    | Wiper3 300         | 11          | 7.1         | 4.1         | 2.5     | 2.4 | 2    | 3    | 60 |      | 14.8 | 14.5 | 14.1 | 13.5 | 12.8 | 11.9 | 10.7 | 4.7 |