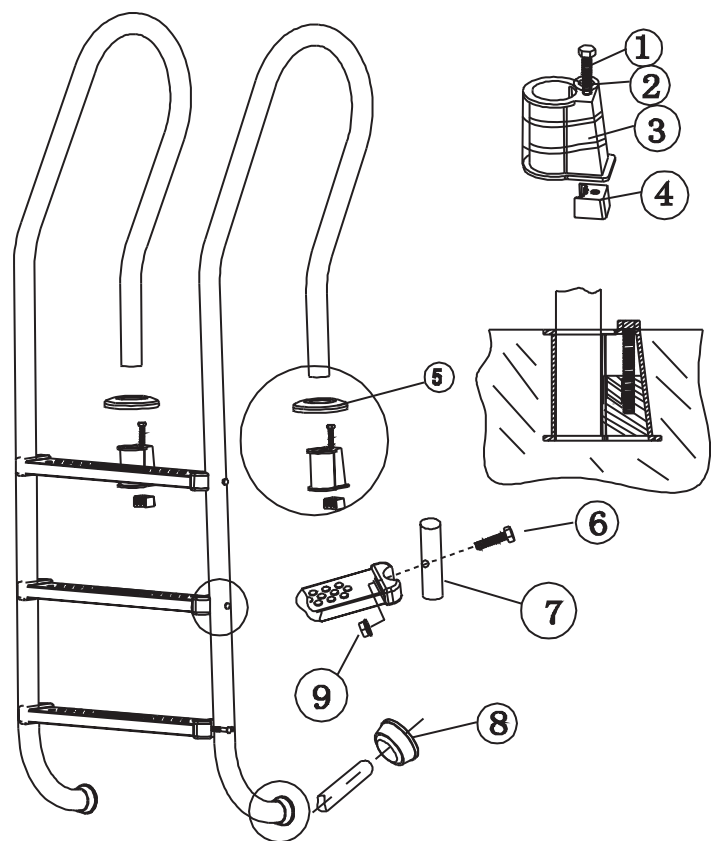
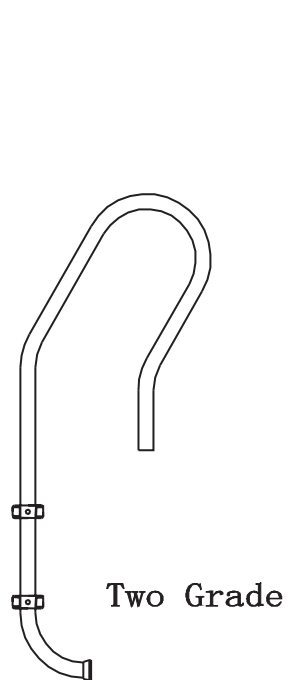


LADDERS INSTALLATION

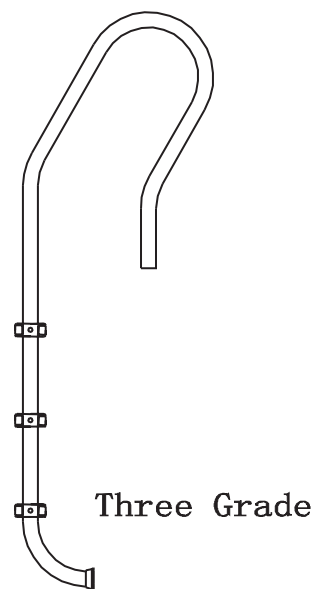


| Item | Description |
|------|---------------------|
| 1 | Screw |
| 2 | Washer |
| 3 | Lock Aluminium Plug |
| 4 | Aluminium Slip |
| 5 | Steel Cover Plate |
| 6 | Screw |
| 7 | Ladders |
| 8 | Cap |
| 9 | Screw Cap |
| 10 | Screw |
| 11 | Fastness feet |

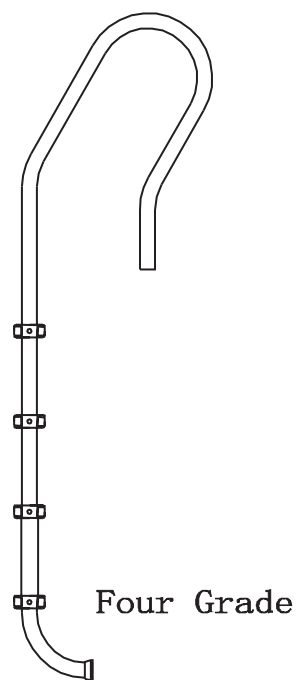
STAINLESS STEEL



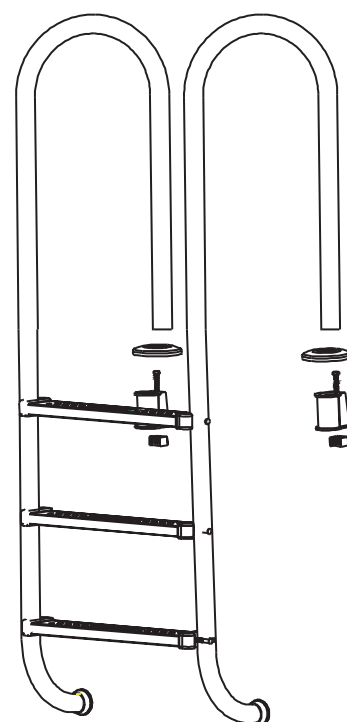
Two Grade



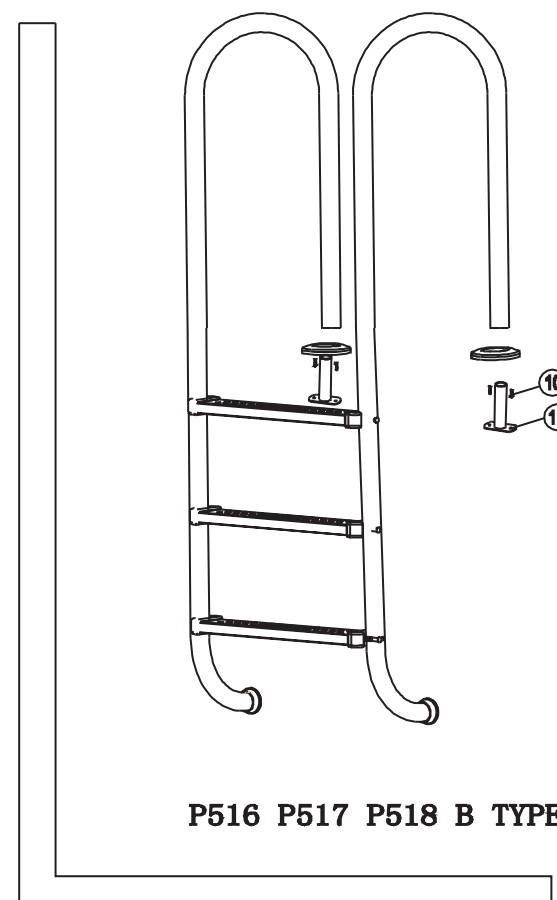
Three Grade



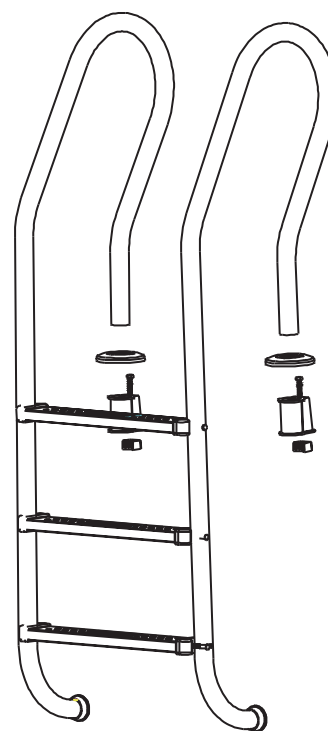
Four Grade



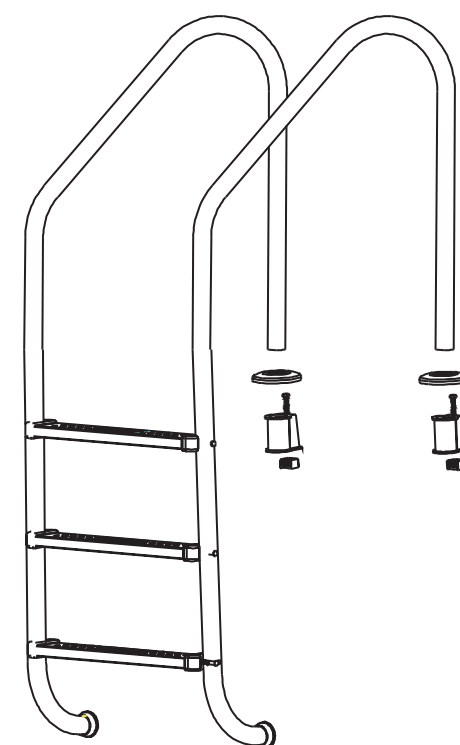
P516 A TYPE



P516 P517 P518 B TYPE



P518 A TYPE



P517 A TYPE

A TYPE For concrete pool
B TYPE For wooden pool