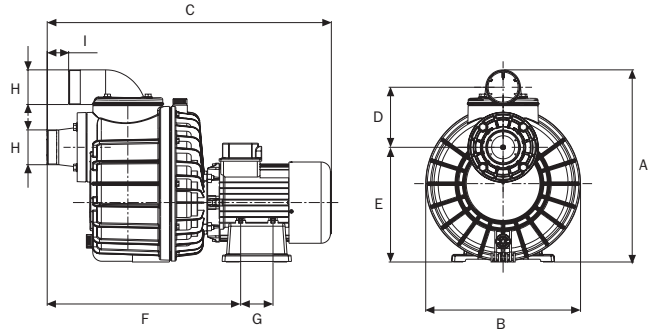
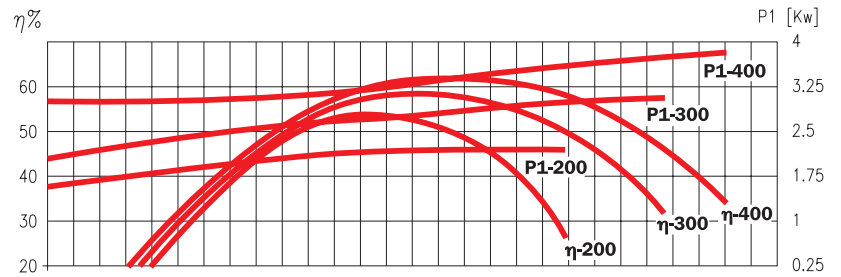
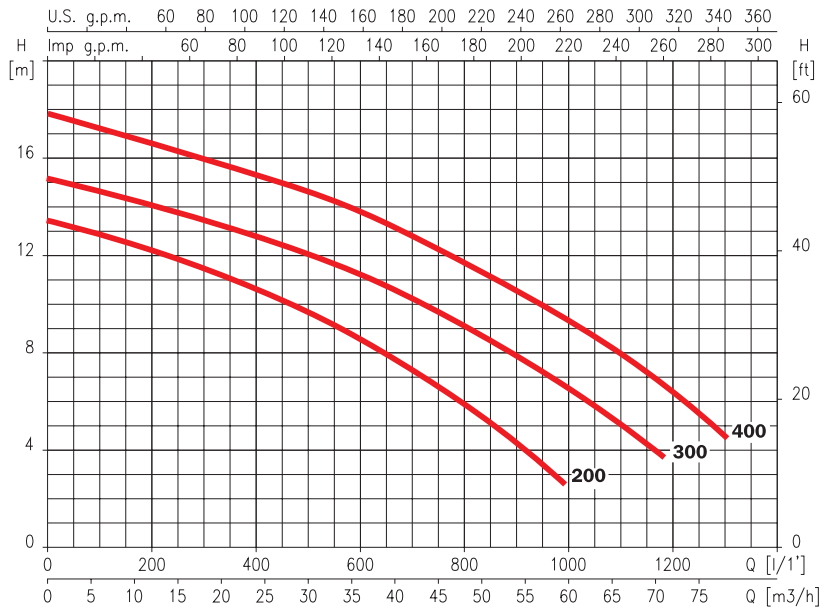


# Nadorsel



	A	B	C	D	E	F	G	H	I	Kg
<b>Nadorsel 200</b>	416	335	615	130	248.5	418.5	70	2 1/2"	46.5	25.1/23.1
<b>Nadorsel 300</b>	416	335	615	130	248.5	418.5	70	2 1/2"	46.5	26.1/25.8
<b>Nadorsel 400</b>	416	335	615	130	248.5	418.5	70	2 1/2"	46.5	28



230 V 50 Hz	230/400 V 50 Hz	A			P1 (kW)		kW	HP	μF	l/1' m³/h	100 6	200 12	400 24	600 36	800 48	1000 60	1200 72	1300 78
		1~ 230 V	3~ 230 V 400 V		1~	3~												
Nadorsel 200 M	Nadorsel 200	10.2	6.7	4	2.2	2.2	1.5	2	40		12.9	12.2	10.6	8.5	6			
Nadorsel 300 M	Nadorsel 300	13.4	8.6	5	3	3	2.3	3	60		14.6	14	12.8	11.3	9	6.5		
	Nadorsel 400		11.8	6		3.4	3	4			17.2	16.6	15.3	13.8	11.6	9.4	6.3	4.5