

CORDLESS POOL ROBOT
ROBOT SANS CÂBLE
ROBOT SIN CABLE PARA PISCINAS
ROBÔ DE PISCINA SEM FIO
ROBOT DA PISCINA SENZA FILI
KABELLOSER POOLROBOTER
DRAADLOZE ZWEMBADROBOT
BEZDRÁTOVÝ BAZÉNOVÝ ROBOT

RC017

MARINA-X

KOKIDO®
BWT



PART DIAGRAM / SCHÉMA DES PIÈCES / DIAGRAMA DE PIEZAS /
DIAGRAMA DE PARTES / ESPLOSO RICAMBI / TEILEÜBERSICHT/
ONDERDELEN OVERZICHT / PŘEHLED DÍLŮ

P.1-2

USER MANUAL

P.3-14

MANUEL D'UTILISATION

P.15-26

MANUAL DE USUARIO

P.27-38

MANUAL DO USUÁRIO

P.39-50

MANUALE D'USO

P.51-62

BEDIENUNGSANLEITUNG

P.63-74

HANDLEIDING

P.75-86

UŽIVATELSKÝ MANUÁL

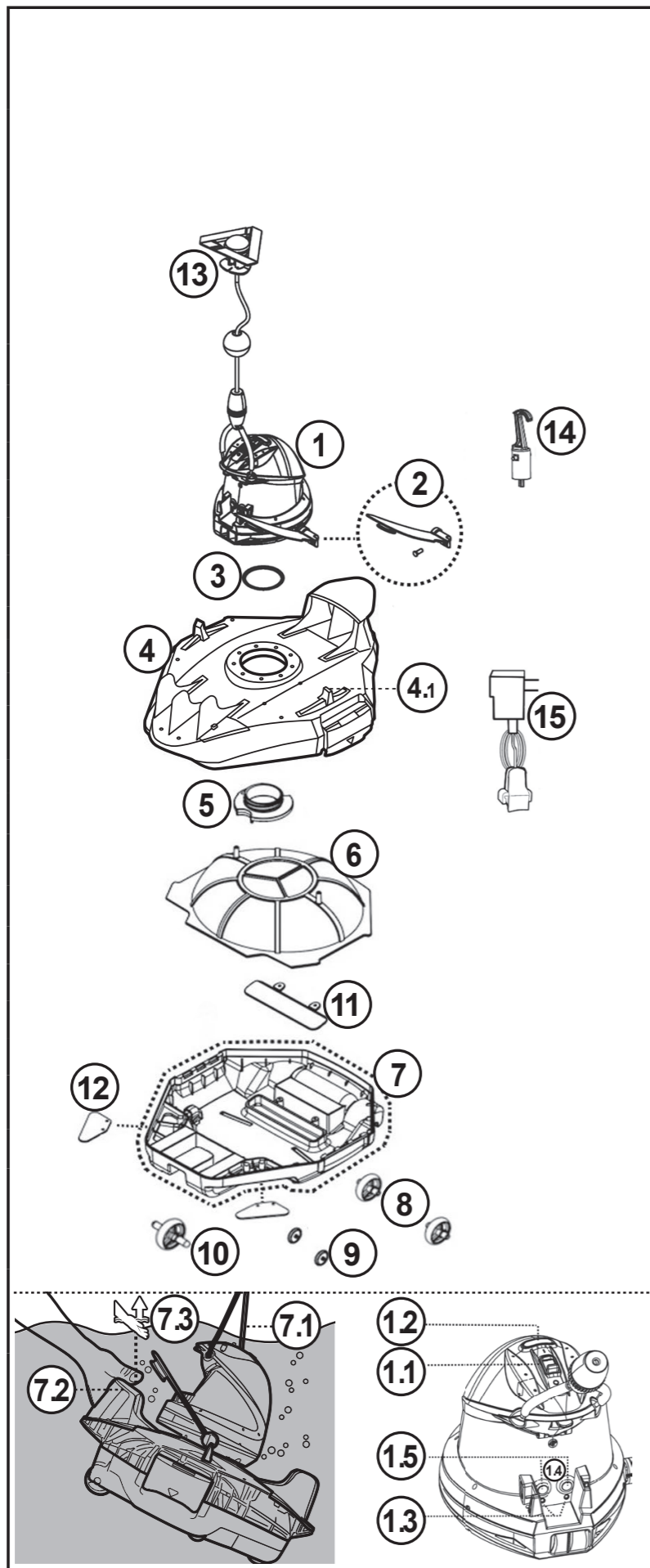
P.87-106

QUICK SET UP/ INSTALLATION RAPIDE/ CONFIGURACIÓN RÁPIDA /
CONFIGURAÇÃO RÁPIDA / CONFIGURAZIONE RAPIDA/ SCHNELLER
EINRICHTUNG/ SNELLE INSTALLATIE / RYCHLÉ NASTAVENÍ

P.95-96

WARRANTY/ GARANTIE/ GARANTÍA/ GARANTIA / GARANZIA/
GARANTIE/ GARANTIE / ZÁRUKA

P.97-98



PARTS DIAGRAM / DIAGRAMME DES PIÈCES / DIAGRAMA DE LAS PARTES				Replacement Parts Number Numéro de pièce détachée Referencia de pieza
	EN	FR	ES	
1	Swivel head (with side flap)	Tête pivotante (avec Volet lateral)	Cabezal pivotante (con pestaña lateral)	Including float, lifting loop, swivel smoothing-ring & bottom screw plate: Inclus le flotteur, la boucle de levage, bague de lissage pivotante et la plaque à vis inférieure: Incluye flotador, asa de elevación, anillo de suavizado giratorio y placa de tornillo inferior: RC17ASM01/MAR
1.1	Sliding switch	Interrupteur coulissant	Interruptor	-----
1.2	Power indicating light	Voyant d'utilisation	Piloto indicador de encendido	-----
1.3	Water sensors	Capteurs d'eau	Sensores de agua	-----
1.4	Charging port	Port d'alimentation	Toma de carga	-----
1.5	Charging pad	Plaque de contact de charge	Placa de contacto de carga	-----
2	Side flap (with side pin)	Volet latéral (à broche)	Pestaña lateral (con pasador lateral)	RC27-07/MRM
3	Swivel smoothing-ring	Anneau de lissage pivotant	Junta del cabezal	RC27-08-006
4	Top cover	Capot	Cubierta superior	RC17ASM02/MAR
4.1	Side flap stopper x2	Arrêt du volet lateral x2	Tope del pestaña lateral x2	RC17ASM03/MAR
5	Swivel head bottom screw plate	Plaque pivotante	Placa de tornillo inferior del cabezal pivotante	RC27-05-003/MRM
6	Filter cover	Couvercle filtrant	Cubierta del filtro	RC16-09
7	Complete base	Base complète	Base completa	RC17-11/MAR
7.1	Lifting loop (on swivel head)	Boucle de levage (sur la tête pivotante)	Asa de elevación (en el cabezal pivotante)	-----
7.2	Grip	Poignée	Asa	-----
7.3	Grip indicator	Indicateur de prise	Indicador de captura	-----
8	Rear wheel (with axle) x2	Roue arrière (avec essieu) x2	Rueda posterior (con eje) x2	RC17ASM04/BLK
9	Small wheel x2	Petite roue x2	Ruedecilla x2	
10	Front wheel	Roue avant	Rueda delantera	RC16ASM04/MRM
11	Suction mouth flap	Rabat de la bouche d'aspiration	Pestaña de la entrada de aspiración	
12	Draining filter flap x2	Volet du filtre de drainage x2	Tapa del filtro de drenaje x2	RC27ASM05/MRM
13	Float (preinstalled with lifting loop)	Flotteur (préinstallé avec boucle de levage)	Flotador (preinstalado con asa de elevación)	
14	Hook (with V-clip) for Telescopic pole (for USA / EU only)	Crochet (avec système V-clip) pour manche télescopique (uniquement pour l'USA / EU)	Gancho (con gancho en V) para pértiga telescópica (solo para USA / EU)	RC30-16/BLK
15	Adaptor (preinstalled with charging connector)	Adaptateur (préinstallé avec connecteur de charge)	Adaptor (preinstalado con charging connector)	RC17-19 (EU)

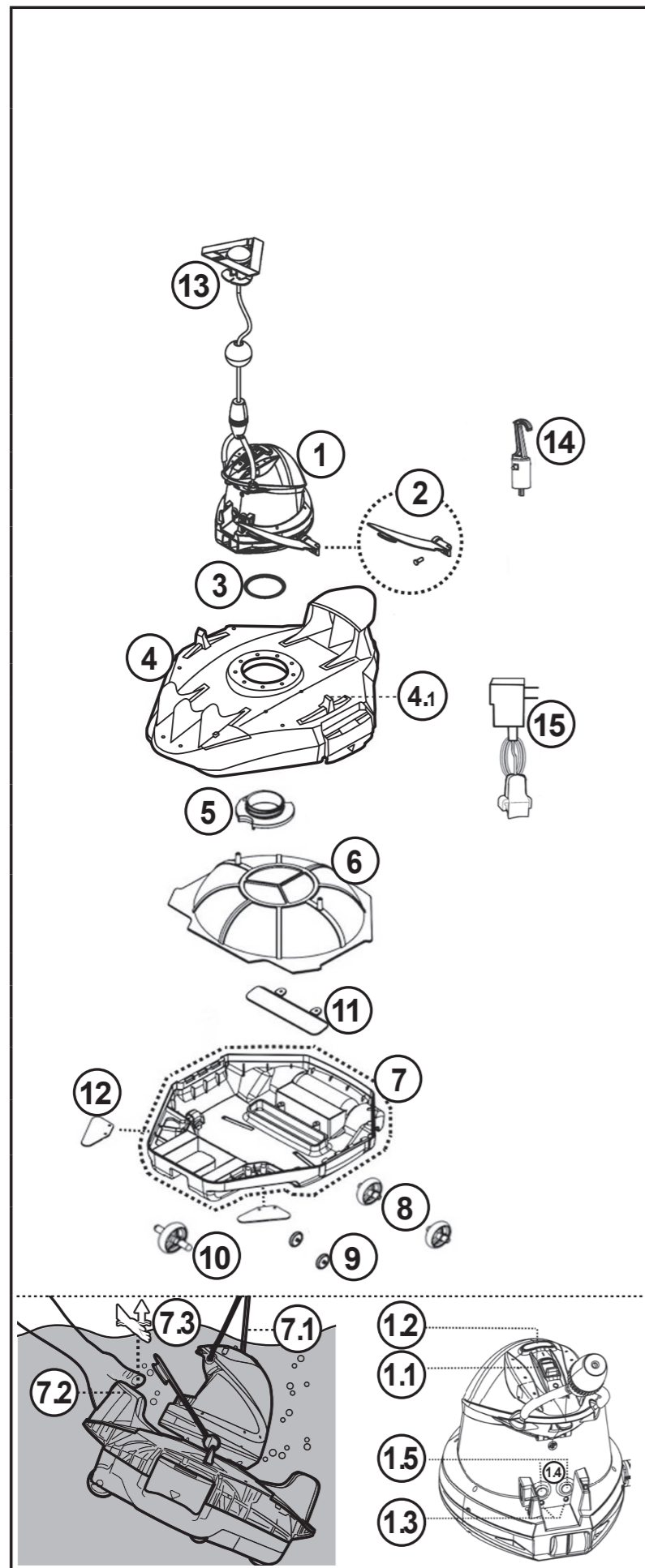
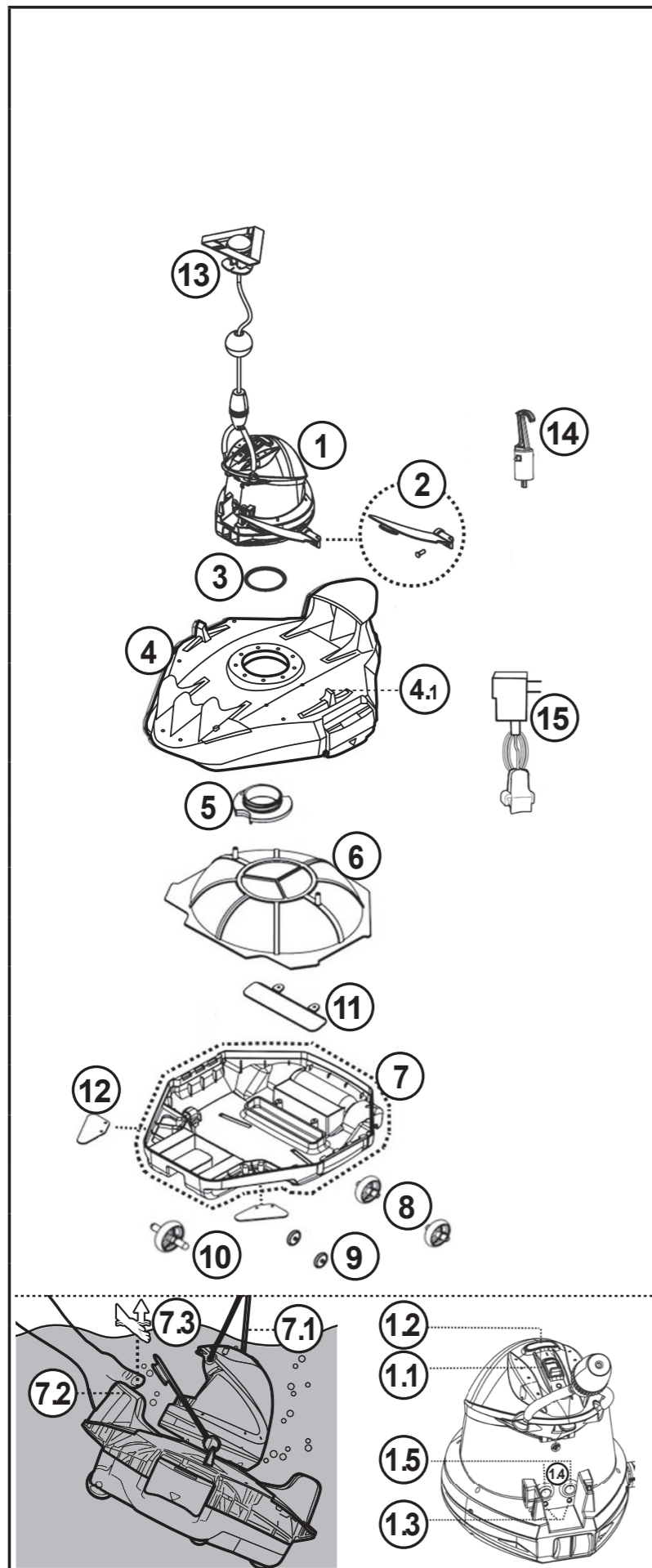


DIAGRAMA DE ENTEDIADO PEÇAS / ESPLOSO RICAMBI / TEILEÜBERSICHT				Número de peças de substituição Numero Sostituzione Ersatzteilnummer
	PT	IT	DE	
1	Giratório cabeça (com aba lateral)	Testina orientabile (con linguetta laterale)	Schwenkkopf (mit Seitenklappe)	Incluindo flutuador, elevação laço, girar alisamento- anel & fundo parafuso placa: Include galleggiante, anello di sollevamento, anello levigante girevolee piastra a vite inferiore: Einschließlich Schwimmer, Hebeschlaufe, Schwenk- Ausgleichsring und Bodenschraubenplatte: RC17ASM01
1.1	Deslizando trocar	Interruttore a cursore	Schiebeschalter	-----
1.2	Poder indicando luz	Luce di indicazione di potenza	Ein-/Aus-Anzeige	-----
1.3	Água sensores	Sensori dell'acqua	Wassersensoren	-----
1.4	Carregando porta	Presca di ricarica	Ladebuchse	-----
1.5	Carregando almofada	Piastrella di contatto di ricarica	Ladeplatte	-----
2	Lado aba (com lado alfinete)	Linguetta laterale (con perno girevole)	Seitenklappe (mit seitlichem Stift)	RC27-07/MRM
3	Giratório anel de alisamento	Anello levigante girevole	U-Ring Schwenkkopf	RC27-08-006
4	Principal cobrir	Coperchio superiore	Obere Abdeckung	RC17ASM02/MAR
4.1	Lado aba rolha x2	Fermo del linguetta laterale x2	Seitenklappenstopper x2	RC17ASM03/MAR
5	Giratório cabeça fundo parafuso placa	Pulsante testina girevole-piatto	Grundplatte Schwenkkopf	RC27-05-003/MRM
6	Filtro cobrir	Coperchio del filtro	Filterabdeckung	RC16-09
7	Completo base	Base completa	Unterteil komplett	RC17-11/MAR
7.1	Elevação laço (sobre girar cabeça)	Anello di sollevamento (su testina orientabile)	Hebeschlaufe (auf Schwenkkopf)	-----
7.2	Pegada	Grip	Griff	-----
7.3	Pegada indicador	Indicatore grip	Griffanzeige	-----
8	Pequeno roda (com eixo) x2	Ruota posteriore (con asse) x2	Hinterrad (mit Achse) x2	RC17ASM04/BLK
9	Frente roda	Ruota piccola x2	Kleines Rad x2	
10	Frente roda	Ruota anteriore	Vorderrad	RC16ASM04/MRM
11	Sucção boca aba	Patta della bocca di aspirazione	Saugdüsenklappe	
12	Drenagem filtro aba x2	Sportello del filtro di drenaggio x2	Filterentleerungs-klappe x2	RC27ASM05/MRM
13	Flutuador (pré-instalado com elevação laço)	Galleggiante (preinstallato con anello di sollevamento)	Schwimmer (vorinstalliert mit Hebeschlaufe)	RC30-16/BLK
14	Gancho (com Clipe em V) para Telescópico (apenas para EUA/UE)	Gancio (con clip a V) per manico telescopico (solo per USA / EU)	Haken (mit V-Klipp) für Teleskopstange (nur für USA / EU-Länder)	RC17-19 (EU)
15	Adaptador (pré-instalado com carregamento conector)	Adattatore (preinstallato con connettore di ricarica)	Adapter (vorinstalliert mit Ladestecker)	



ONDERDELEN OVERZICHT / DÍLY DIAGRAM			Vervangend nummer Nahrazení Díly Číslo
1	Zwenkkop (met zijklep)	Otočný hlava (s boční klapka)	Inclusief vlotter, hijslus, zwenkring en bodemschroefplaat: Včetně plovák, zdvihání smyčka, otočný vyhlazovací kroužek & dno šroub talíř: RC17ASM01
1.1	Schuifschakelaar	Posuvné přepínač	-----
1.2	Controlelampje	Moc označující světlo	-----
1.3	Watersensoren	Voda senzory	-----
1.4	Laadpoort	Nabíjení přístav	-----
1.5	Opladen contact plaat	Nabíjení podložka	-----
2	Zijklep (met zijpin)	Strana klapka (s strana kolík)	RC27-07/MRM
3	Zwenkring	Otočný vyhlazovací kroužek	RC27-08-006
4	Bovenkap	Nahoru pokrýt	RC17ASM02/MAR
4.1	Stopper voor zijklep x2	Strana klapka zátka x2	RC17ASM03/MAR
5	Zwenkkop bodemplaat	Otočný hlava dno šroub talíř	RC27-05-003/MRM
6	Filterdeksel	Filtr pokrýt	RC16-09
7	Compleet basis	Kompletní báze	RC17-11/MAR
7.1	Hijslus (op zwenkkop)	Zdvihání smyčka (na otočný hlava)	-----
7.2	Handgreep	Rukojeť	-----
7.3	Greepindicator	Rukojeť indikátor	-----
8	Achterwiel (met as) x2	Zadní kolo (s náprava) x2	RC17ASM04/BLK
9	Klein wiel x2	Malý kolo x2	
10	Voorwiel	Přední kolo	
11	Zuigmond klep	Sání ústa klapka	RC16ASM04/MRM
12	Filterklep afvoer x2	Vypouštění filtr klapka x2	
13	Vlotter (voorgeïnstalleerd met hijslus)	Plovák (předinstalovaný s zdvihání smyčka)	RC27ASM05/MRM
14	Haak (met V-clip) voor uitschuifbare steel (alleen voor USA / EU-landen)	Háček (s V-klip) pro Teleskopický pól (pro USA / EU pouze)	RC30-16/BLK
15	Adapter (voorgeïnstalleerd met oplaadconnector)	Adaptér (předinstalovaný s nabíjením konektor)	RC17-19 (EU)

Remark: Depending on the model you own, accessories/ parts shown in this manual are not necessarily included in every model.


Product/parts in photos/drawings may vary with the model purchased. Check the spare parts drawing to understand the parts included in your model purchased.

SAFETY WARNINGS & INSTRUCTIONS

Information contained in this Instruction Manual will help you operate the item safely, protect yourself and others from hazards, and prevent damage to the device and other property.

SAVE THESE INSTRUCTIONS

WARNING!

- This is not a TOY. Children should be kept out of reach from this robot and its accessories.
- Never allow children to operate this product.
- This appliance is not intended for use by persons with reduced physical, sensory, mental capabilities, or a lack of experience and knowledge, unless they are given supervision or instructions concerning the safe use of the appliance and understand the hazards involved by a person responsible for their safety.
- Children must not play with this product.
- Cleaning and maintenance of the robot must not be carried out by children.
- Make sure the robot is fully immersed in the pool before initiating operation. The minimum water level required to operate the robot must reach above the swivel head of the robot. Operating the robot when it is not immersed correctly could damage the unit and void the warranty.
- Maximum operating depth in water is 3 meters (9.8 ft).
- Operating water temperature: 5°C (41°F) – 35°C (95°F).
-  Detachable supply unit (external adaptor).
- The robot should only be charged with the external adaptor (already attached to the charging connector) delivered with this product.
- Connect the external adaptor to a power source through a residential current device (RCD) / a ground fault circuit interrupter (GFCI). If in doubt, consult a qualified electrician.
- Do not use this robot if any damage is detected.
- Replace damaged parts with ones that are certified by the distributor or manufacturer.
- Disconnect the robot from the supply mains and make sure the robot is OFF prior to carrying out regular maintenance – such as cleaning the filter, swivel

smoothing-ring, and the areas around the water sensors and charging port.

- Do not attempt to replace the installed rechargeable Li-ion battery pack.
- DO NOT handle the robot, external adaptor, and charging connector while it is charging with wet limbs and without shoes.
- Ensure that children do not attempt to access the robot while it is operating.
- It is not advisable to enter the pool when the robot is working to avoid damage to the robot.
- DO NOT use this robot without an intact filter in place, otherwise your warranty will be voided as a result.
- Suction entrapment hazard: This robot generates suction. Do not allow hair, body, and any loose parts of your clothing to make contact with the suction hole of the robot during its operation.
- Never insert body parts, clothing, and other objects into the openings and moving parts of the robot.
- DO NOT use this robot to pick up any toxic substance, flammable, and combustible liquids (i.e. gasoline) in the presence of explosive or flammable fumes.
- Under no circumstances should you disassemble the swivel head to replace its internal components by yourself. Doing so would void the warranty, expose yourself to potential hazards, and possibly damage the device and other properties.
- Never insert fingers or any object to touch the impeller.
- The built-in battery must be removed by a skilled technician before it is scrapped.
- This robot contains a battery that are only to be removed by skilled persons.
- The robot must be disconnected from the supply mains as the battery is removed.
- For details regarding battery recycling/disposal, refer to the section "BATTERY DISPOSAL" in this manual and contact your local authorities for more information.
- The battery must be disposed safely in accordance with local ordinances or regulations.
- External adaptor and charging connector:
 - Never use the external adaptor and charging connector for anything other than charging the battery of the robot that is supplied in the same pack.
 - The external adaptor and charging connector should not be used outdoors, nor should it be exposed to rain, humidity, and any liquid or heat.

- The transformer (or external adaptor) is to be located outside zone 1.
- Keep the external adaptor and charging connector out of reach of children.
- Never use the external adaptor and charging connector if any damage is detected.
- DO NOT handle the external adaptor and charging connector with wet hands.
- Keep the external adaptor disconnected from power when it is not in use.
- Never attempt to pry open the external adaptor and charging connector.
- If the supply cord of the external adaptor is damaged, the external adaptor must be replaced by the manufacturer or its service agent to prevent hazards of any kind.
- Make sure the robot is completely dry before charging.

CAUTION!

- This robot is designed for underwater use only; it is not an all-purpose vacuum cleaner. DO NOT attempt to use it to clean anything other than your pool.
- Use only the original accessories delivered with this product.
- DO NOT use this robot right after pool-shocking. It is recommended to first leave the pool circulating for at least 24 - 48 hours.
- If you are planning on using the robot in a saltwater pool, make sure all salt are dissolved before deploying the robot.
- DO NOT use this robot with another automatic cleaner/cleaner simultaneously in the pool.
- Remove hard, sharp objects from the pool before deploying the robot to avoid damages to the robot and its filter.
- To avoid damages to the external adaptor and charging connector, do not attempt to carry the robot by the cord of external adaptor / charging connector or pull the cord to disconnect it from the power source and charging connector.
- Charge the robot indoors in a clean, dry area with good ventilation and away from sunlight.
- DO NOT leave the robot charged for over 10 hours.
- If the robot will not be used for an extended period, detach it from the charging connector and use a damp cloth to clean and dry the robot and its accessories. Make sure to charge the robot to about 30% to 50% of the battery capacity before it is stored. Store it in a well-ventilated area away from sunlight, heat, ignition sources, pool chemicals, and children. Recharge the robot every three months.
- All actions concerning the disassembly of the swivel head (ie. battery disposal) should only be carried out by an authorized technician.

Above warnings and cautions are not intended to incorporate all possible instances for risks and / or severe injuries. Pool / spa owners should always exercise extra caution and common sense when utilizing the product.

HOW THE ROBOT WORKS

The robot has a water-propelling nozzle at the bottom of the swivel head. Water is first sucked in through the suction mouth at the bottom of the robot, which then goes through the filter and is discharged via the propelling nozzle. Water jetting from the nozzle propels the robot forward. Once the robot stops against an obstacle such as the pool wall, its side flap sways and its swivel head turns 180°, allowing the robot to move in the opposite direction. The robot moves in a generally straight pattern in one direction and in an arc pattern in the other direction. The robot vacuums the pool bottom as it moves, collecting debris in its compartment.

GETTING STARTED

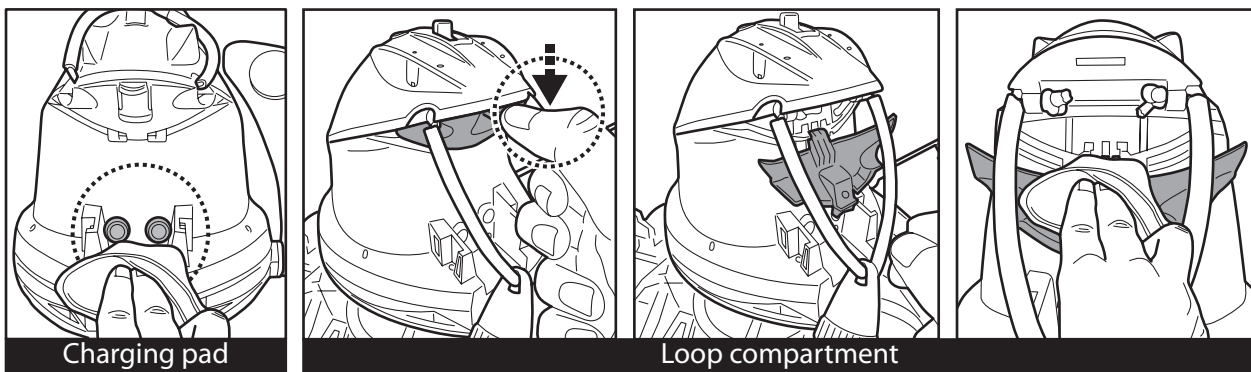
Charging The Battery

IMPORTANT NOTE: Fully charge the robot (about 6 hrs) before using it for the first time.

WARNING!

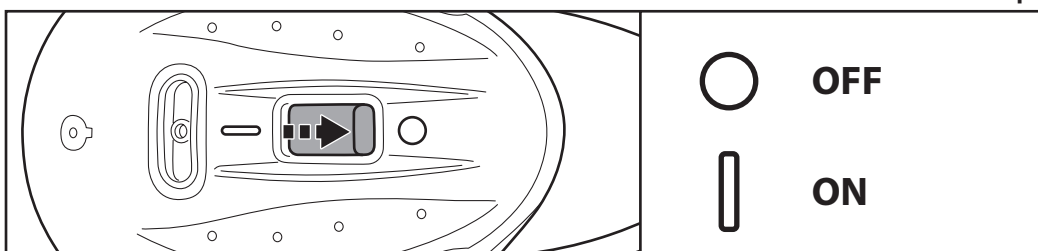
- Use only the original external adaptor and charging connector provided.
- Make sure the robot (particularly the lifting loop compartment) and the charging port are clean and dry before set-up and charging.

(TIPS: Use a cotton bud to dry the charging port and charging pads.)

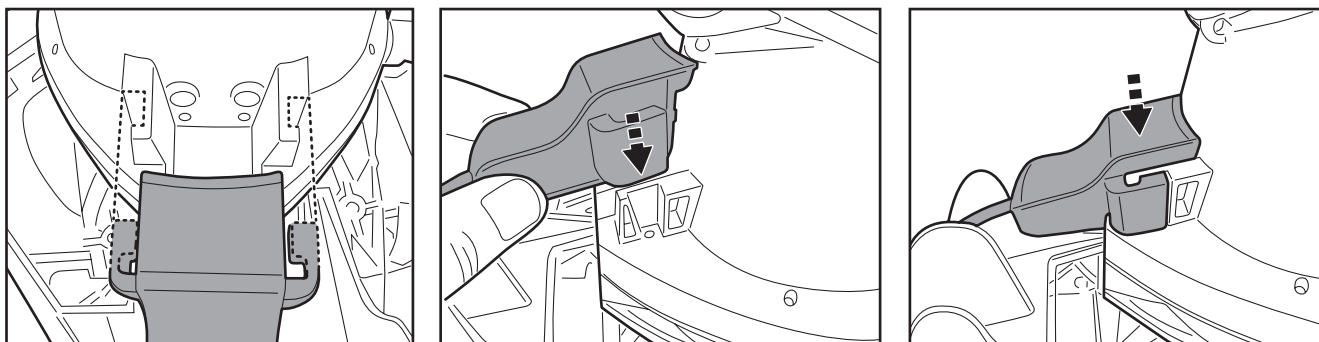


- The charging pads are waterproof. However, remnants of water in the port and around the pads could result in natural occurrence of stains (a byproduct of chemical reaction between water and electric currents). Otherwise, the stains can be removed by light scrubbing with a cotton bud soaked with juice of lemon or vinegar.

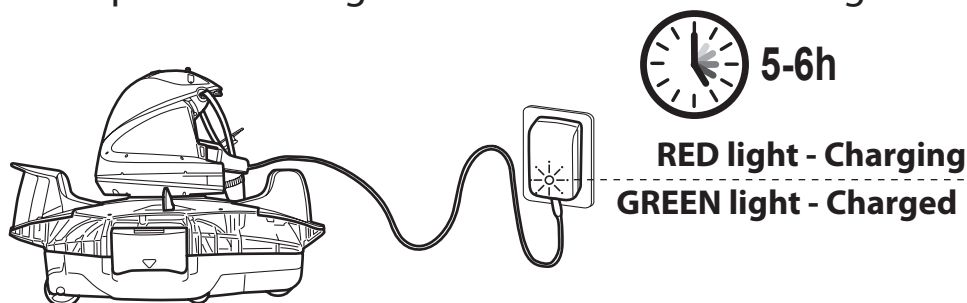
1. Place the unit on a flat surface. Slide the switch to the **OFF** position.



2. Align the charging connector to the charging port as shown. Press on the charging connector all the way. **WARNING!** Ensure both the charging connector and charging port are clean and dry before charging them. **TIP:** Use a cotton bud to dry the charging port and pads.



3. Connect the external adaptor to the power source. The indicator light on the external adaptor turns red once the charging begins. The indicator light on the external adaptor will turn green when the robot is charged.



- Immediately disconnect the external adaptor from the power source if you detect any of the following:
 - Offensive or unusual odor
 - Excessive heat
 - Deformation, cracks, leaks
 - Smoke

4. When charging is complete, disconnect the external adaptor from the power source and unplug the charging connector from the unit.

Normally the robot can operate up to 45 minutes on a full charge.

NOTE: Clean the debris compartment regularly. Excessive debris inside the debris compartment increases the burden to the motor operation and shortens the operating duration as a result.

NOTE: Rechargeable lithium-ion battery is classified as a consumable item. It has a limited life and will gradually lose its capacity to hold a charge. Therefore, the running time of the robot will gradually reduce after repeated charging and discharging throughout its product life.

Once the lifespan of the battery reaches its end, refer to section **“BATTERY DISPOSAL”** for instructions regarding battery disposal and replacement of swivel head.

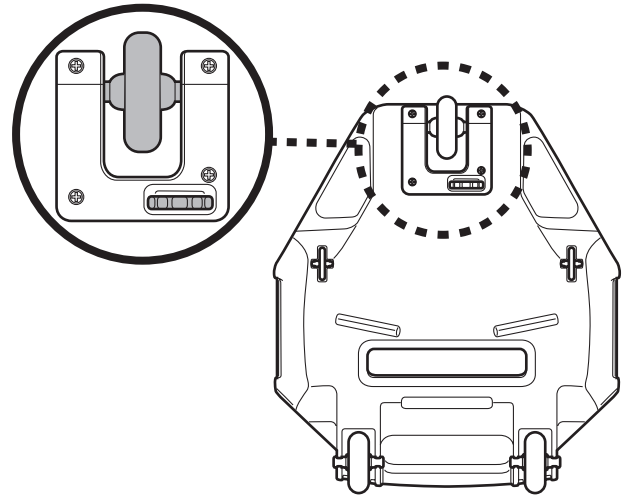
NOTE: Let the robot rest for around 30 to 40 minutes before charging it again.

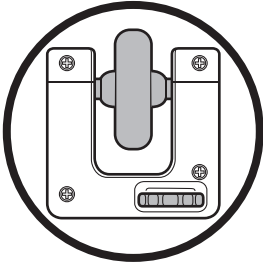
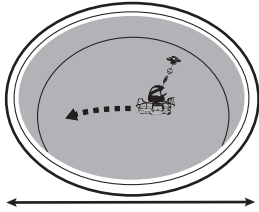
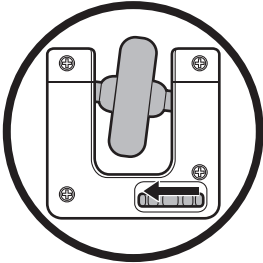
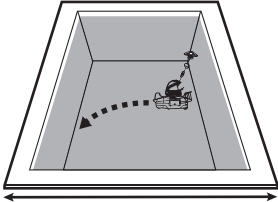
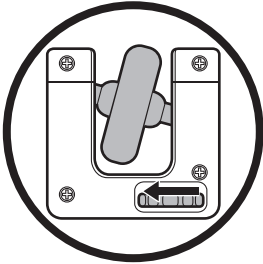
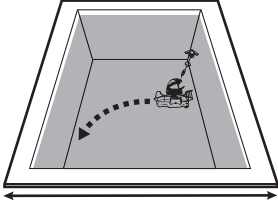
Set-Up Before Use

Adjustment of Trajectory

The robot's trajectory is determined by the position of the front wheel along the track, which can be adjusted by turning the knob to the left or right.

Start with the front wheel in suggested position. If necessary, you can try another position to suit your pool.



Front wheel position	Pool size/shape
	
	 <p data-bbox="986 1261 1225 1304">>5.3ft (1.6m)</p>
	 <p data-bbox="986 1555 1225 1598"><4.9ft (1.5m)</p>

Pool Preparation

- If there are stones, roots or metal corrosion in contact with the underside of the liner, discard them prior to using the robot. If necessary, seek assistance from a qualified professional.
- If the liner is brittle, damaged or wrinkled, contact a qualified professional to perform the necessary repairs or perform a liner replacement prior to using the robot.
- Remove any pool ladder, surface skimmer, and other floating objects from the pool as they may obstruct the movement of the robot's float and, consequently, the movement of the robot also.
- If you are using a saltwater pool, make sure all salt are dissolved before placing the robot into the water.

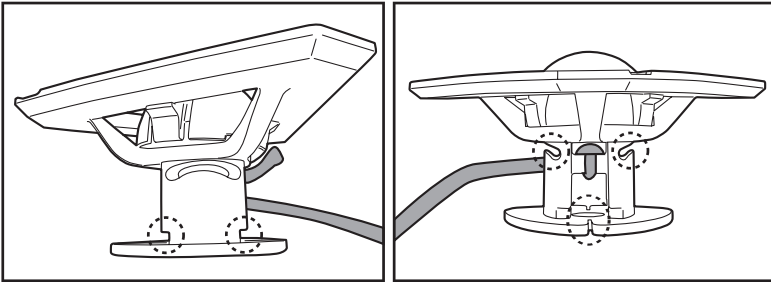
NOTE: For best result, it is recommended to turn off the filtration before using the robot.

OPERATION

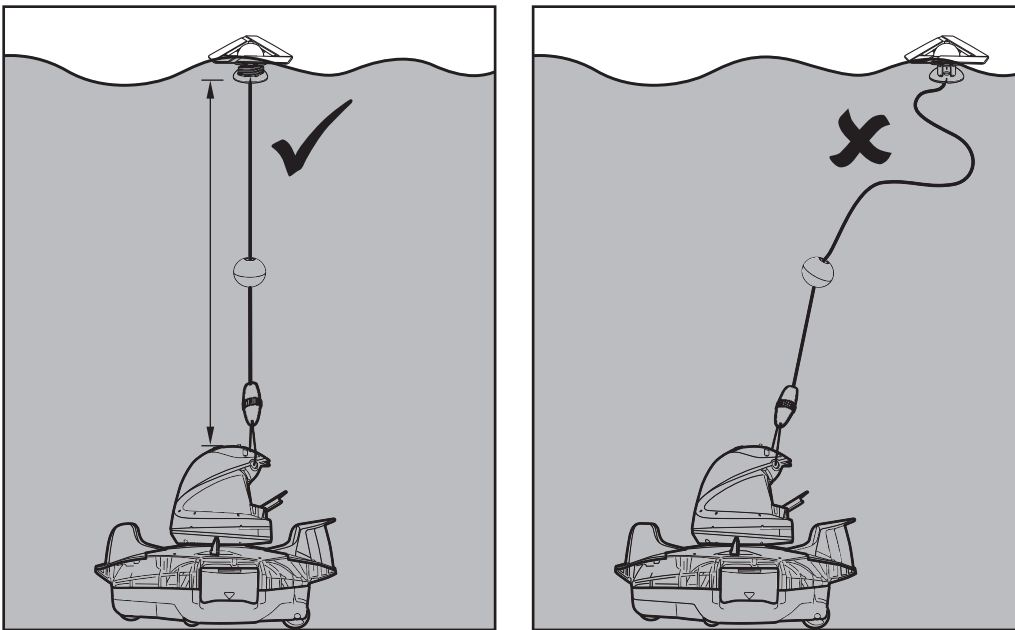
WARNING!

- Make sure the robot is off.
- Make sure filter cover is in place.
- Ensure the charging connector is detached before deploying the robot in the pool.

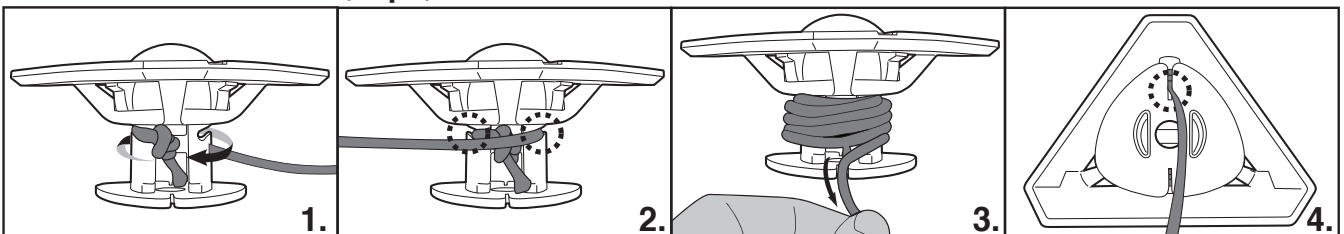
1. Bring the robot to the side of your pool. NOTE: Only deploy the robot from the pool side (not the pool corner) and ensure it is facing outwards as you do so. Unwrap the retrieval cord from the float (note: there are side notches at the top and bottom of the stem, as well as a narrow slot at the bottom).



The correct length of the rope should be equivalent to the distance between the top of the robot and the water level. NOTE: Excess length may kink the rope and affect performance as a result.

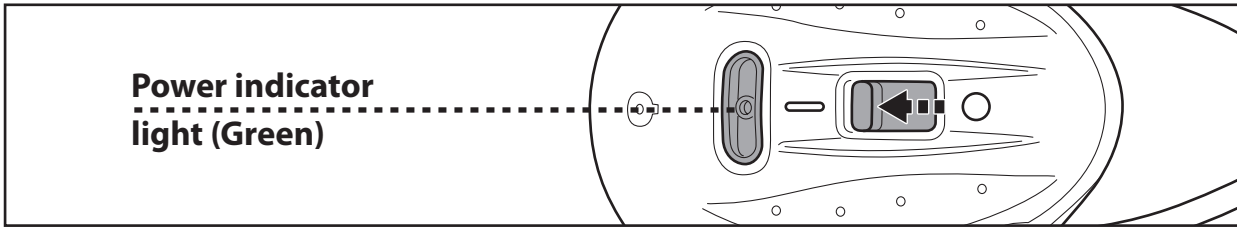


First align and attach the retrieval cord to the side notches at the top and start to wrap the cord around the stem at either direction (**step 1 & 2**). Keep wrapping the cord until reached the required length (**step 3**). Pull the cord down to the bottom slot and tuck it in (**step 4**).



2. With the robot switched off, submerge it in the pool and gently shake it a few times to facilitate discharge of air. Excess air trapped in the body could result in erratic behavior of the swivel head (i.e. spinning repeatedly in the pool for a few minutes).

- Slide the power switch to **"ON"** (while the robot is submerged) – the indicator light will turn on and activate the motor automatically (the water level must cover the sensors underneath the charging pads at the back of the swivel head). Let the robot sink to the pool floor and observe its first forward and reversed movements across the pool bottom. If it runs along the pool wall instead of perpendicularly, retrieve it and redeploy it while making sure its front/back is facing the pool wall.



Power indicator light starts to blink when 5 - 10 minutes of usage remains. Power indicator light :

No light - Power off / no power

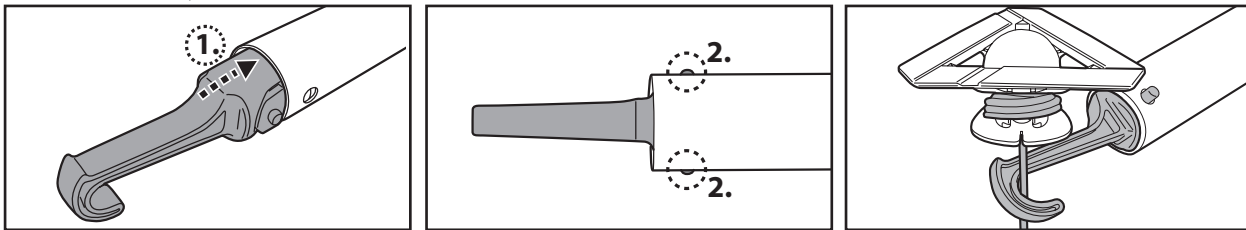
Light - Power on

Blinking light - Battery power will be exhausted within 5 - 10 minutes.

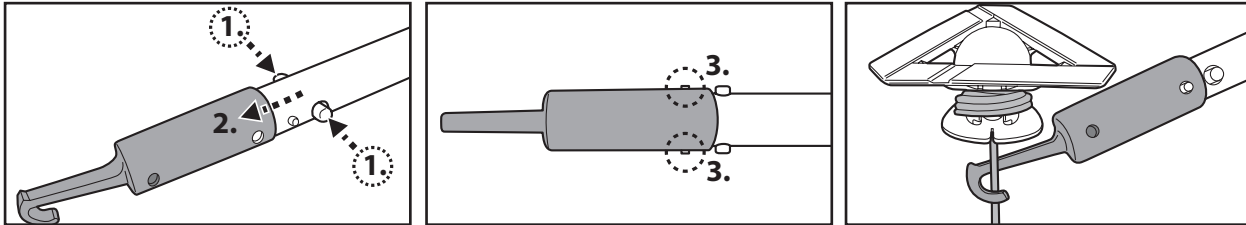
NOTE: Refrain from making any physical contact with both water sensors.

- To retrieve the robot from the pool, attach the hook to a telescopic pole (not provided) and use it to retrieve the float, if you are unable to retrieve with your hands.

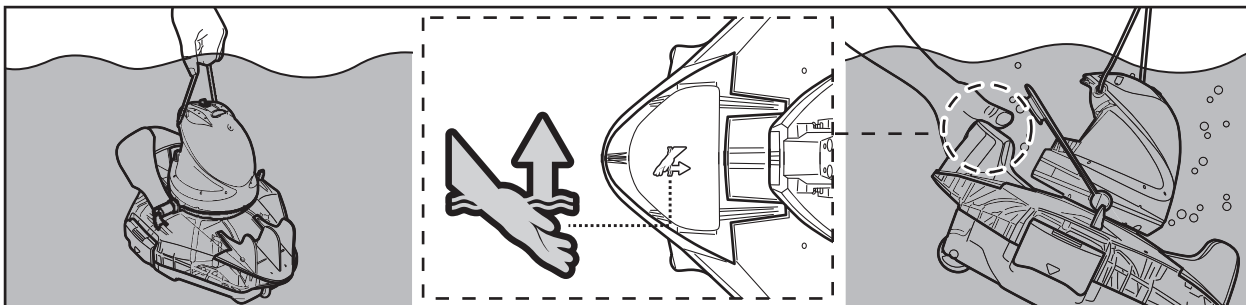
(for EU & US only)



(for Australia / New Zealand only)



As soon as your hand can reach the lifting loop, grasp it to lift the robot to the water surface and then grasp the fin labeled with the hand symbol (see diagram below) to facilitate retrieval from the pool. Always grip the robot from this end to drain the water and prevent debris from falling back into the pool during retrieval.



- Slide the power switch OFF. Rinse the robot with fresh water after every use. DO NOT use any detergent.
- Dry the charging port and pads thoroughly (TIPS: Use cotton bud to dry them)

NOTE: To ensure the most efficient cleaning, when your pool is quite dirty, it is recommended to empty the debris compartment after the first 30min of operation, or whenever the robot's movement has slowed down noticeably. Then return the robot (with an emptied debris compartment) to the pool, and let it run through the remaining of its cycle.

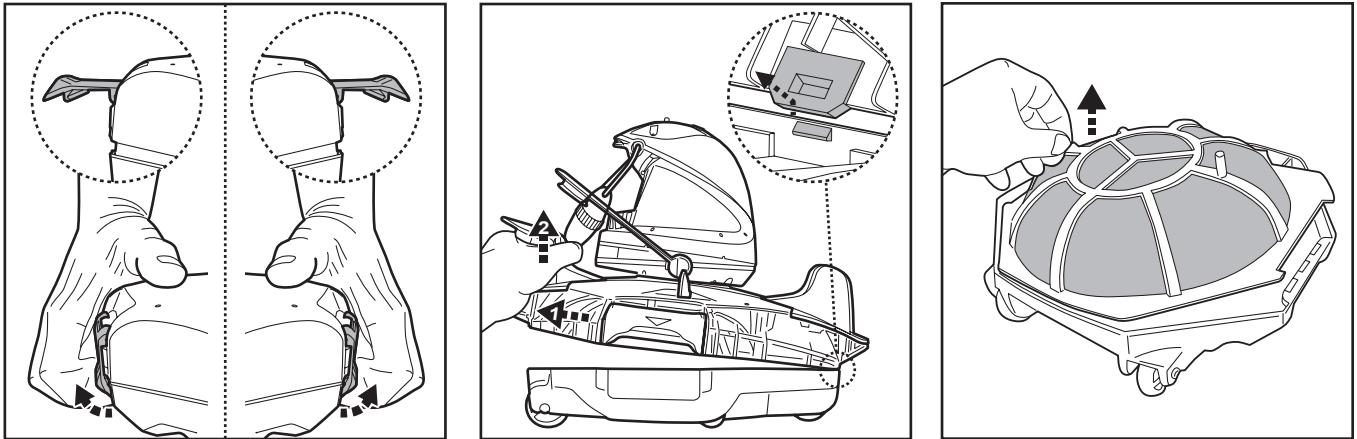
EMPTYING THE DEBRIS COMPARTMENT

WARNING! Using the robot without its filter cover in place will VOID your warranty.

In order to maximize the cleaning efficiency, clean the debris compartment and the filter cover before and after each use.

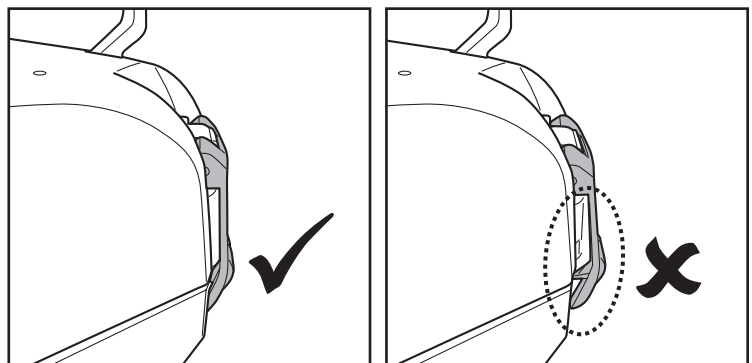
CAUTION! Before cleaning the debris compartment, make sure the robot is **OFF**.

1. Place the cleaner on a flat and sturdy surface. Pry open the side clips to release the top cover from the base. Slide out the top cover from the base to expose the filter cover.



2. Detach the filter cover and remove the debris from the compartment. It is recommended to clean the filter cover net with splashing water. If brushing is deemed necessary, use only a soft brush to clean it carefully and gently to avoid damages.

3. After cleaning, make sure that the filter cover is in place and reverse the steps above to realign the top cover to the base. Press on both side clips until they are secured to the base. A "click" sound will confirm the top cover is secured to the base.



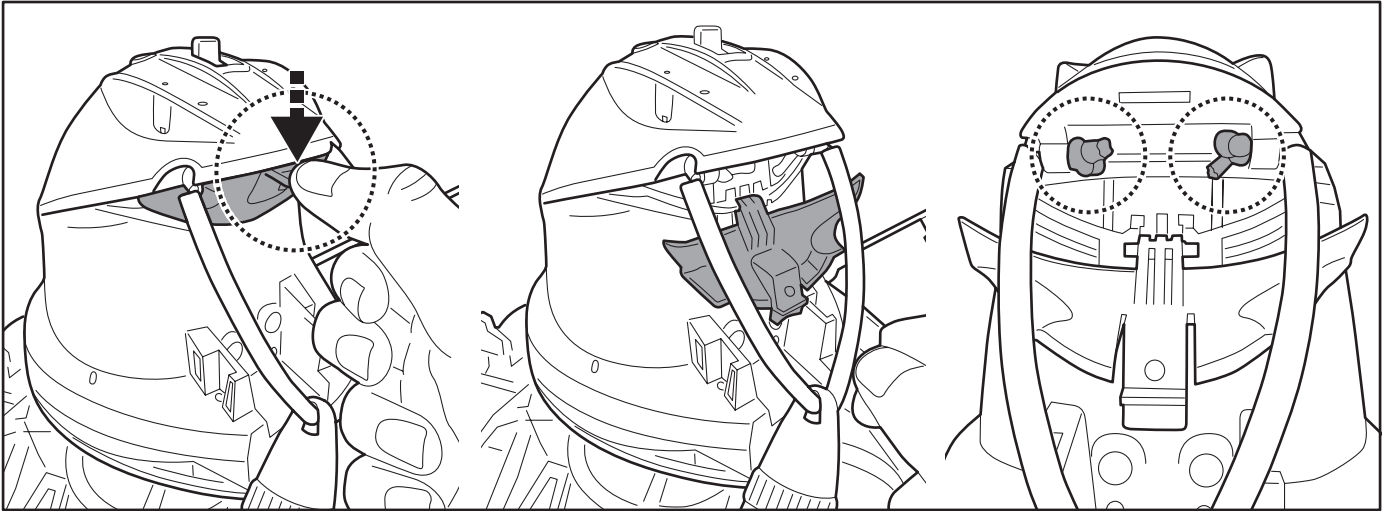
TIPS: Before redeploying the robot to the pool, ensure the top cover is secured to the base.

CAUTION!

- Replace a damaged filter cover immediately with a new one before the next operation.
- Replace a damaged retrieval kit immediately with a new one before the next operation.
- Replace a damaged flap immediately with a new one before the next operation.

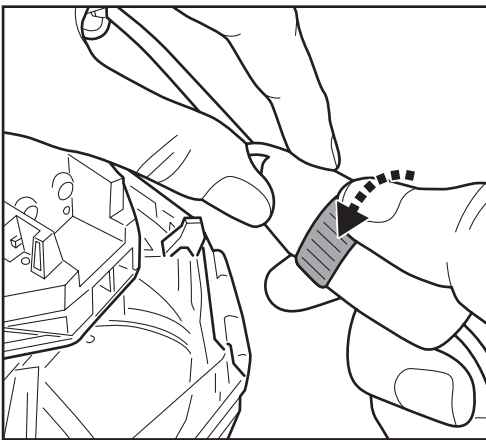
Lifting loop replacement

Press on the tab to release the cover. Cut the loop and replace it with a new one. Make sure both ends of the new loop are secured by a knot.

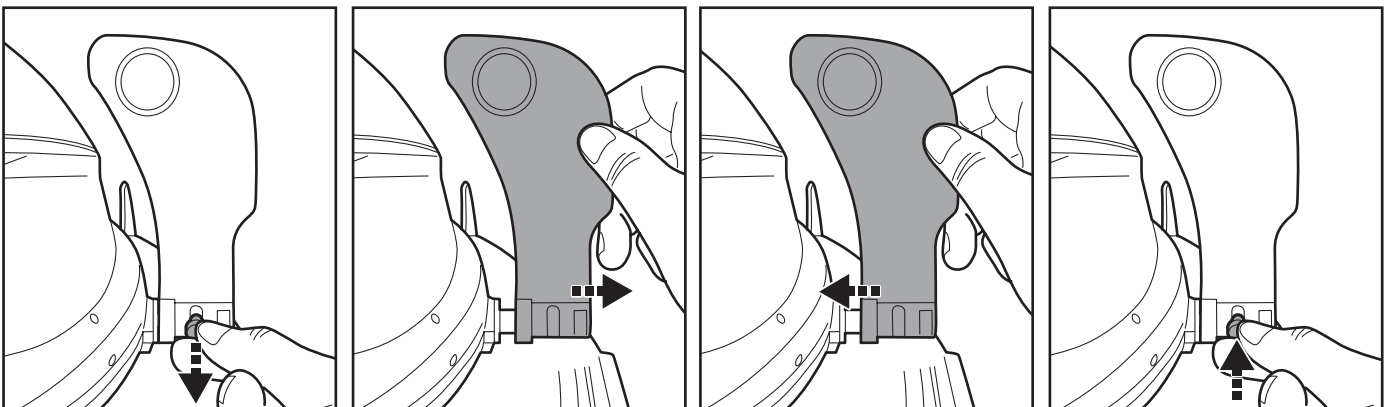


Retrieval kit replacement

Locate the screw connector on the lifting loop. Grasp its end which is on the loop and unfasten the threaded ring as shown to release the connection. Repeat the steps to install a new retrieval kit.



Flap replacement



MAINTENANCE & STORAGE

NOTE:

- 1) Be sure to clean and dry the areas around the charging port and water sensors after every use to avoid the forming of stains (byproduct of a natural chemical reaction between electric current and water). Otherwise, the stains can be removed by light scrubbing with a cotton bud soaked with juice of lemon or vinegar.
- 2) Battery discharges on its own during storage. Make sure to fully charge the robot before storage.
- 3) You must recharge the battery at least once every three months when it is not in use.
 - Unplug the external adaptor from the socket and the charging connector from the robot.
 - Detach accessories from the robot. If necessary, rinse the robot and accessories with fresh water. **DO NOT** use detergent.
 - Be sure to drain the water from the robot before storage.
 - Use a damp cloth to clean and dry the robot and its accessories.
 - Store them in a well-ventilated area away from sunlight, heat, ignition sources, pool chemicals and from children. Ambient temperature for storage should be 10°C – 25°C (50°F – 77°F). **NOTE:** A higher storage temperature may reduce the battery life.

WARNING! Under no circumstances should you disassemble the swivel head to replace its internal components by yourself. Doing so would void the warranty, expose yourself to potential hazards, and possibly damage the device and other properties.

CAUTION!

- Excessive heat can damage the battery and reduce the lifespan of your robot as a result.
- Consult your dealer regarding battery replacement if the following happens:
 - Battery does not charge fully.
 - Battery operation time is noticeably reduced. Observe and record the run times of the first few operations (on a full charge). Use these run times as a reference point for comparison with run times in the future.
- The battery must be removed from the robot before it is scrapped.
- The robot must be disconnected from the supply mains when the battery is being removed.
- The battery is to be disposed safely in accordance with local ordinances or regulations.

NOTE: Incorrect maintenance may reduce the battery life and affect its capacity as a result.

BATTERY DISPOSAL (To be carried out by an authorized technician)

Your robot is equipped with a maintenance - free rechargeable lithium-ion battery pack, which must be disposed of properly. Recycling is required; please contact your local authority for more information.

WARNING! Never attempt to disassemble a battery pack.

- Remove all personal items such as rings, bracelets, necklaces and watches when the battery pack is unwired from the robot.
- A battery can produce a short circuit current high enough to weld a ring (or similar item) to metal, causing a severe burn in the process.
- Wear complete eye protection, gloves and protective clothing when the battery pack is being removed.
- Avoid touching the wires altogether and avoid contact between them and any metal items, which could cause sparking and/or short circuit the battery.
- Never smoke or allow a spark or flame in the vicinity of the battery or the robot.
- Do not expose the battery to fire or intense heat as this may result in an explosion.

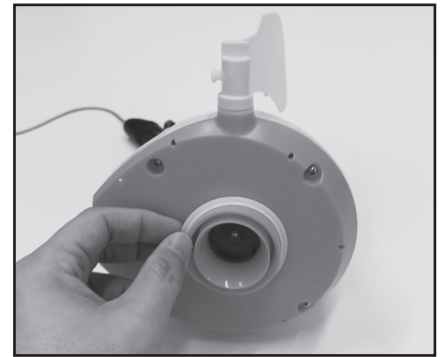
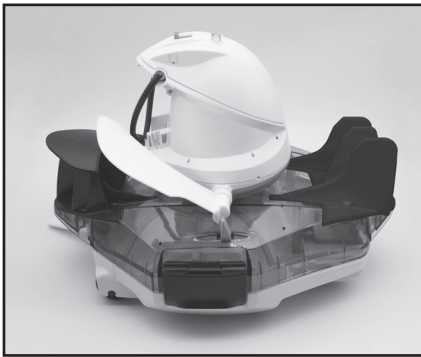
CAUTION!

- If a battery leak occurs, avoid any contact with the leaking fluids and place the damaged battery in a plastic bag.
- If leaking fluids come in contact with skin and clothing, wash immediately with plenty of soap and water.
 - If leaking fluids come in contact with eyes, do not rub eyes, immediately flush eyes with cool running water for at least 15 minutes and do not rub them. Seek medical attention as soon as possible.

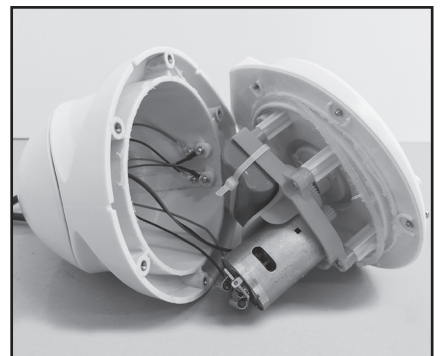
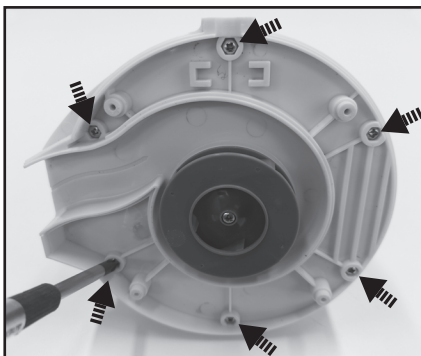
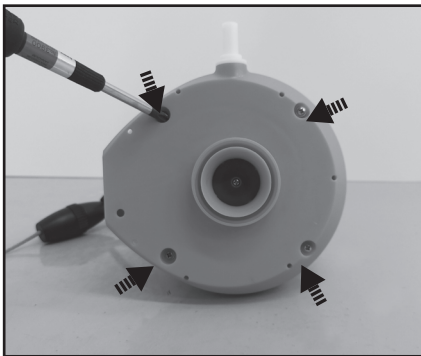
How to remove the battery pack for battery disposal only (To be done by authorized technician)

Recommended tools (not included): Screwdriver.

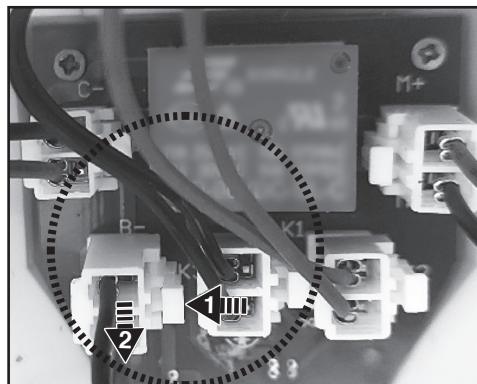
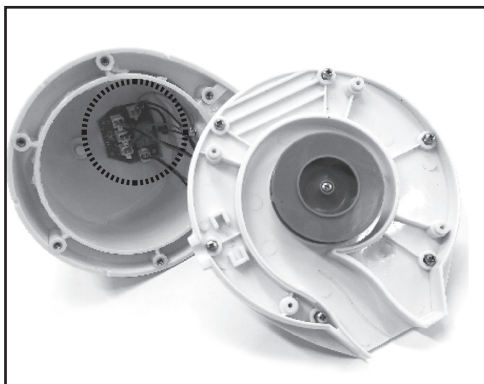
- 1) Follow section “**EMPTYING THE DEBRIS COMPARTMENT**” to release the top cover (preassembled with the swivel head). Turn the bottom locking plate anticlockwise to release the swivel head. Remove the swivel smoothing - ring.



2. Use the screwdriver to unscrew the 4 screws located at the bottom of the head to release the bottom plate first. Then unscrew all the screws at the base as shown. Pry open the base to expose head inside.

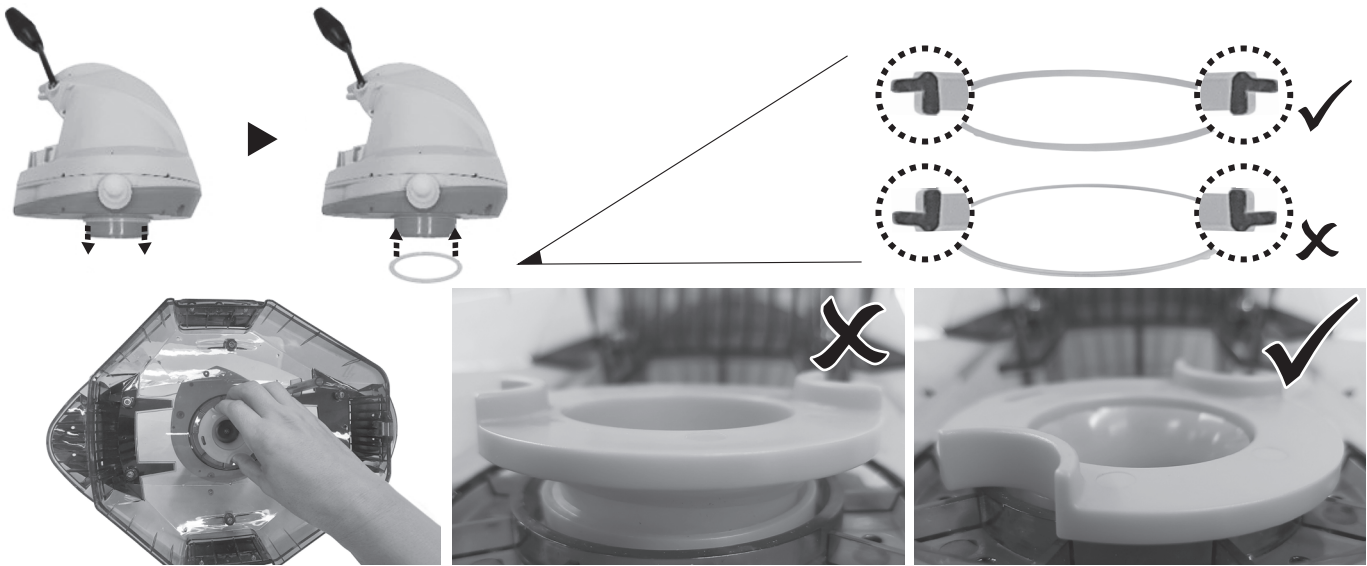


3. Remove out the battery pack to expose the PCBA. To detach the battery connection wire, press on the clip of the connector to pull it out. **NOTE:** Wrap the connector immediately with insulating tape in order to avoid any short circuit caused by the contact of both wire terminals.



TROUBLESHOOTING

Problem	Possible Cause	Solution
Robot does not start working under water	Stained water sensors	Use a cotton bud soaked with juice of lemon or vinegar to clean and remove the stains.
Robot does not capture the debris	Battery is running out	Charge the robot again.
	Impeller is jammed	Power off the robot and inspect the hole under the swivel head to see if the impeller is jammed by large debris. If necessary, contact your dealer for further instructions. WARNING! Make sure the robot is off before the unit is serviced.
	Suction mouth is clogged	Remove clogged objects from the suction mouth.
	Impeller is broken	Contact your dealer for replacement.
	Debris compartment is full	Clean both debris compartment and filter cover.
Robot stopped moving in the middle of pool but swivel head is still turning	Robot stopped by obstacle or large creases in the pool liner	Check to see that if there is anything obstructing the cleaner. Remove the obstacle.
	Robot is hindered by suction from the main drain of pool floor	Turn off the filtration system as instructed in manual.
Swivel head rotates repeatedly	Air trapped inside the robot	Submerge the robot while it is still off in the pool and gently shake it a few times to facilitate discharge of air before switching it on (while robot is still submerged). The swivel head may rotate repeatedly for a short while once the robot sinks to the pool bottom. This phenomenon will stop once the air trapped inside the robot is discharged and the robot will begin to move regularly.
Robot does not cover the entire pool	Debris compartment is full	Clean the debris compartment.
	Operation time is shorter as expected	Clean the filter compartment and recharge the robot for 6 hrs.
	Moving direction is interrupted by water circulation generated by filtration system	Turn off the filtration system (as instructed in filtration manual) at least 15 minutes before robot operation.
	Wheel is jammed	Check and remove debris from the wheel.
	Position of front wheel is not set properly	Follow instruction to adjust the front wheel position.
	Algae renders the pool floor slippery which results in the robot going in circles	Scrub the pool bottom and robot wheels to remove the algae.
Robot moves along the pool wall	Position of front wheel is not set properly / robot facing direction is wrong at beginning	Follow instructions to adjust front wheel setting. Make sure that robot's front/back faces the pool wall at beginning.
Robot moves slowly or does not move at all	Debris compartment is full or filter cover is clogged	Clean the debris compartment. Flush the screen with water to remove small particles. If brushing is deemed necessary, use a soft brush to clean the screen gently. Note: make sure that the filter cover is in place before next operation.
	Suction mouth is clogged	Remove clogged objects from the suction mouth.
	Impeller is jammed	Power off the robot and inspect the hole under the swivel head to see if the impeller is jammed by large debris. If necessary, contact your dealer for further instructions. WARNING! Make sure the robot is off before the unit is serviced.
Swivel head does not turn or turn noticeably slowly	Side flap does not come up	Check and remove any debris that hinders the movement of the flap. Turn off the pool filtration to prevent the side flap movement from disturbance by the water circulation.
	Swivel head bottom is jammed	Detach the swivel head and smoothening-ring in accordance with instructions of section " How to remove the battery pack " from the manual, then: <ul style="list-style-type: none"> - Remove trapped debris. - Inspect the smoothening-ring for potential damages and wear and tear. Replace with a new one if necessary. - Verify the smoothening-ring and bottom plate are installed correctly. (refer to below diagrams)



Problem	Possible Cause	Solution
Debris escapes from the robot	Suction mouth's flap (at cleaner bottom) is damaged	Suction mouth's flap works like a door to prevent the debris from escaping from the debris compartment. Contact dealer for replacement parts and instruction.
	Debris clogged at suction mouth and prevents the flap to close	Remove clogged debris from the suction mouth.
Debris leaks outside at the filter cover	Filter cover net is damaged	Replace with a new filter cover from your dealer.
Round float sinks	Damaged float and water leakage	Replace with a new float from your dealer.
Retrieval cord is kinked	Retrieval cord length is too long	Adjust the length according to instructions in the manual.
Duration of cleaning cycle is shorter than advertised	Battery is not fully charged	Charge the robot for at least 6 hrs. NOTE: if any stains are found on the charging pads, remove them by using a cotton bud soaked with lemon juice or vinegar.
Robot cannot be charged / recharged	Battery is damaged	Contact dealer for battery replacement. WARNING! DO NOT replace the battery by yourself. This could result in severe or fatal 5-6h injuries and the warranty will be voided as a result.
	Charging connector is not completely connected with the robot	Make sure that the charging connector is connected with the robot properly and completely. Refer to instruction manual.
	External adaptor is out of order	Contact dealer for replacement. WARNING! Using the wrong external adaptor will result in damaging the robot / battery and voiding the warranty as a result.

Environmental Programmes, WEEE European Directive



Please respect the European Union regulations and help to protect the environment. Return non-working electrical equipment to a facility appointed by your municipality that properly recycles electrical and electronic equipment. Do not dispose them in unsorted waste bins. For items containing removable batteries, remove batteries before disposing of the product.



All rights reserved. No part of this document may be reproduced or transmitted in any form or by any means, electronic, mechanical, photocopying, recording, or otherwise, without prior written permission of Kokido Development Ltd. (L-25010013)

If soft copy of this instruction manual is required, please contact our customer service by email: customerservice@kokido.com

SAVE THESE INSTRUCTIONS

Remarque: Selon le modèle que vous possédez, les accessoires/pièces indiqués dans ce manuel ne sont pas nécessairement inclus.


Les produits/pièces figurant sur les photos/dessins peuvent varier en fonction du modèle acheté. Consultez le diagramme des pièces détachées pour connaître les pièces incluses dans le modèle que vous avez acheté.

AVERTISSEMENTS DE SÉCURITÉ ET INSTRUCTIONS

Les informations contenues dans ce manuel d'instructions vous permettront d'utiliser l'appareil en toute sécurité, à vous protéger ainsi que les autres et à éviter d'endommager l'appareil ou d'autres biens.

CONSERVER CE MANUEL

AVERTISSEMENT!

- Ce produit n'est pas un jouet. Les enfants doivent être gardés hors de portée de ce robot et de ses accessoires.
- Ne jamais laisser les enfants utiliser ce produit.
- Ce dispositif n'est pas destiné à être utilisé par des personnes ayant des capacités physiques, sensorielles ou mentales diminuées, ou un manque d'expérience et de connaissances, sauf si elles sont sous supervision ou ont reçu des instructions concernant l'utilisation sûre de l'appareil par une personne responsable de leur sécurité.
- Les enfants ne doivent pas jouer avec ce produit.
- Le nettoyage et l'entretien du produit ne doit pas être effectués par des enfants.
- Assurez-vous que l'robot est complètement immergé dans l'eau avant de commencer l'opération. Le niveau d'eau minimum requis pour faire fonctionner l'appareil doit être au-dessus de la tête rotative du robot. Le produit est uniquement destiné à être utilisé sous l'eau dans une piscine; Toute autre utilisation annulera la garantie.
- Profondeur maximale d'utilisation: 3 mètres (9.8 ft).
- Température de l'eau pour fonctionnement: 5°C (41°F) – 35°C (95°F).
-  Unité d'alimentation détachable (transformateur).
- Le robot ne doit être chargé qu'avec l'adaptateur externe (déjà fixé au connecteur de charge) fourni avec ce produit.
- Connecter le transformateur à une source d'alimentation par l'intermédiaire d'un dispositif différentiel à courant résiduel (DDR) ou d'un disjoncteur de fuite à la terre (GFCI). En cas de doute, consultez un électricien professionnel qualifié.
- Ne pas utiliser cet robot si des dommages sont détectés.
- Remplacer les pièces endommagées avec des pièces certifiées par le distributeur ou le fabricant.

- Assurez-vous que le robot soit éteint et débranchez du secteur avant d'effectuer un quelconque entretien – par exemple: nettoyage du filtre, de l'anneau de lissage pivotant, des zones autour des capteurs d'eau et du port de charge.
- Ne remplacez pas la batterie rechargeable Li-ion pré - installée.
- NE manipulez PAS le robot, l'adaptateur externe et la connecteur de charge pendant la charge avec des membres mouillés et sans chaussures.
- Veillez à ce que les enfants n'essaient pas d'accéder à l'robot pendant son fonctionnement.
- Il n'est pas conseillé d'entrer dans la piscine lorsque le robot est en fonctionnement afin d'éviter d'endommager le robot.
- NE PAS utiliser ce robot sans un filtre en bon état, la garantie serait annulée.
- Risque d'entrave par aspiration: ce robot génère de l'aspiration. Ne pas laisser les cheveux, le corps et les parties flottantes de vos vêtements dans la plage d'aspiration du produit pendant son fonctionnement.
- Ne jamais introduire une partie du corps, vêtements et autres objets dans les ouvertures ou les parties mobiles du robot.
- NE PAS utiliser ce robot pour ramasser des substances toxiques, inflammables ou liquide combustibles (comme de l'essence), ni en présence de vapeurs explosives ou inflammables.
- Vous ne devez en aucun cas démonter la tête pivotante pour remplacer vous - même ses composantes. Si vous le faites, la garantie sera annulée, vous vous exposez à des risques potentiels et à la possibilité d'endommager le dispositif et d'autres éléments.
- Ne jamais insérer les doigts ou quelconque objet dans la turbine.
- La batterie intégrée doit être retirée par un technicien qualifié avant d'être mise au rebut.
- Ce robot contient une batterie qui ne peut être retirée que par des personnes qualifiées.
- Le robot doit être déconnecté du réseau d'alimentation lors du retrait de la batterie.
- Pour plus de détails sur la mise en rebut la batterie veuillez vous reporter à la section "Mise au rebut de la batterie" de ce manuel et contactez les autorités locales pour plus d'informations.
- La batterie doit être détruite en toute sécurité conformément aux réglementations locales.
- Transformateur et la connecteur de charge:
 - N'utilisez pas l'adaptateur externe et la connecteur de charge pour autre chose que la charge de la batterie du robot fournie.

- L'adaptateur externe et la connecteur de charge ne doivent pas être utilisés à l'extérieur, ni exposés à la pluie, à l'humidité et à tout liquide ou chaleur.
- Le transformateur (ou le transformateur) doit être situé à l'extérieur de la zone 1.
- Garder le transformateur et la connecteur de charge hors de portée des enfants.
- Ne jamais utiliser le transformateur ou la connecteur de charge s'ils sont endommagés.
- NE PAS manipuler le transformateur ou la connecteur de charge avec les mains humides.
- Conserver le transformateur hors tension lorsqu'il n'est pas en usage.
- Ne jamais essayer d'ouvrir le transformateur et connecteur de charge.
- Si le cordon d'alimentation de l'adaptateur externe est endommagé, cet adaptateur externe doit être remplacé par le fabricant ou son agent de service pour empêcher des dangers de toute nature.
- S'assurer que le robot est complètement sec avant de le recharger.

MISE EN GARDE!

- Ce robot est conçu pour une utilisation sous l'eau uniquement; ce n'est pas un aspirateur tout usage. NE PAS essayer d'utiliser l'aspirateur électrique pour nettoyer autre chose que votre piscine.
- N'utilisez que des accessoires d'origine fournis avec ce produit.
- NE PAS utiliser ce robot juste après la mise en service de la piscine. Il est recommandé de laisser d'abord la piscine fonctionner pendant au moins 24 à 48 heures.
- Pour les piscines d'eau salée, s'assurer que tout le sel est dissous avant de placer le robot dans l'eau.
- Ne pas utiliser cet aspirateur électrique avec un autre aspirateur / nettoyeur électrique simultanément.
- Éviter de ramasser des objets durs et tranchants avec ce produit. Cela peut endommager le robot et le filtre.
- Pour éviter d'endommager l'adaptateur externe et la connecteur de charge, ne portez pas le robot par le cordon de l'adaptateur externe / connecteur de charge, et ne tirez pas sur le cordon pour le déconnecter de la source d'alimentation et la connecteur de charge.
- Charger le robot à l'intérieur, dans un endroit propre et sec, avec une bonne ventilation et à l'abri du soleil.
- NE PAS laisser l'aspirateur électrique branché sur le secteur pendant plus de 10 heures.
- Si le robot n'est pas utilisé pendant une période prolongée, s'assurer que la connecteur de charge est débranché et utiliser un chiffon humide pour le nettoyer puis le sécher, faire de même pour les accessoires. S'assurer de recharger l'aspirateur électrique à 30% - 50% avant de le stocker. L'entreposer dans un endroit bien ventilé, à l'abri de la lumière du soleil, de la chaleur, des sources d'ignitions, des produits chimiques de la piscine et des enfants. Recharger l'aspirateur électrique tous les trois mois.
- Toute intervention qui demande l'ouverture de la tête pivotante (i.e.: recyclage de la batterie) doit être effectuée uniquement par le personnel habilité.

Les avertissements et mises en garde ci-dessus ne prétendent pas inclure tous les possibles cas de risques et / ou de blessures graves. Les propriétaires de piscine / spas doivent toujours prendre des précautions supplémentaires et utiliser leur bon sens lorsqu'ils utilisent le produit.

FONCTIONNEMENT DU ROBOT

Ce robot inclus une buse de d'évacuation de l'eau située en bas de la tête pivotante. L'eau est d'abord happée par la bouche d'aspiration située en dessous du robot, passe à travers le filtre puis est rejetée par la buse d'évacuation. Le jet d'eau de la buse propulse le robot vers l'avant. Une fois que le robot s'arrête contre un obstacle, comme la paroi de la piscine, son volet latéral et sa tête pivotante tournent de 180 degrés. Le robot se dirige alors dans la direction opposée. Le robot se déplace en ligne droite dans une direction, puis courbe sa trajectoire dans le sens inverse. Tout en se déplaçant, le robot aspire le fond de la piscine capturant ainsi les débris à l'intérieur du compartiment prévu à cet effet.

POUR COMMENCER

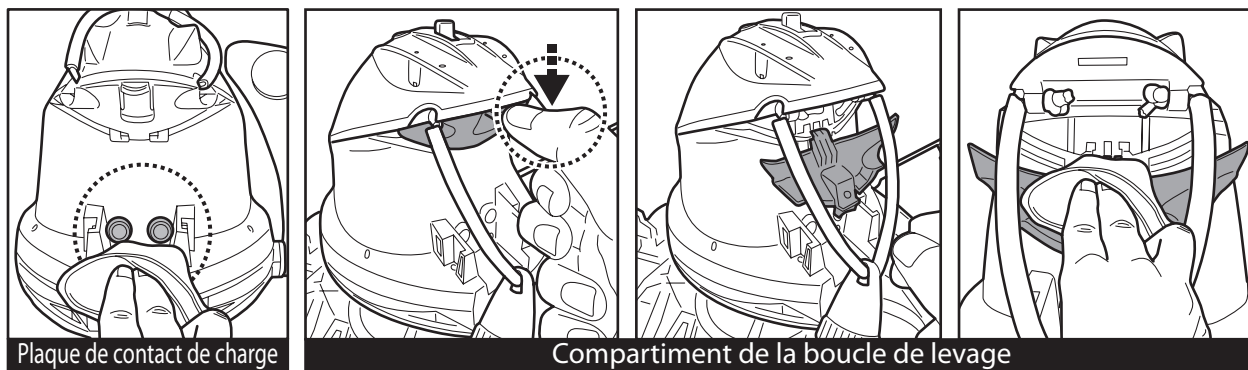
Chargement de la batterie

REMARQUE IMPORTANTE Charger complètement le robot (environ 6 heures) avant la première utilisation.

AVERTISSEMENT!

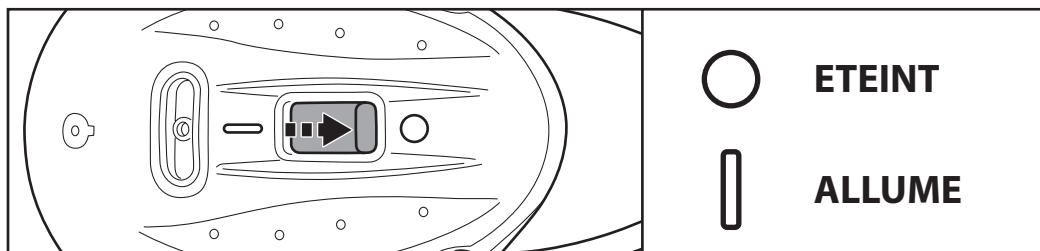
- Utiliser uniquement le transformateur et la connecteur de charge fournis.
- Assurez-vous que le robot (en particulier le compartiment de la boucle de levage) et le port de charge sont propres et secs avant de procéder à l'installation et à la charge.

(CONSEILS: Utilisez un coton-tige pour le sécher ainsi que les plaques de contact de charge)

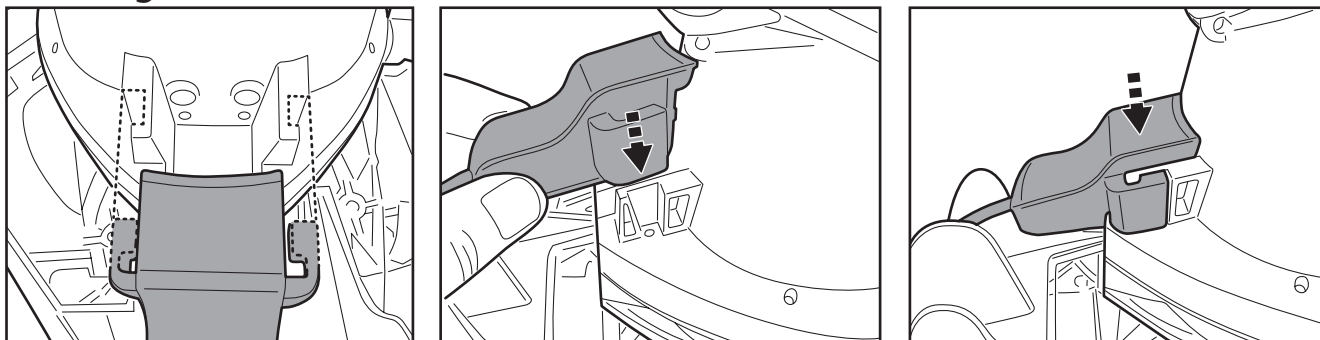


- Les plaques de contact de charge sont étanches. Cependant, l'eau stagnante dans le port et autour des plaques de contact de charge pourraient entraîner l'apparition naturelle de taches (un sous-produit de la réaction chimique entre l'eau et les courants électriques). Les taches peuvent être éliminées en frottant légèrement avec un coton-tige imbibé de jus de citron ou de vinaigre.

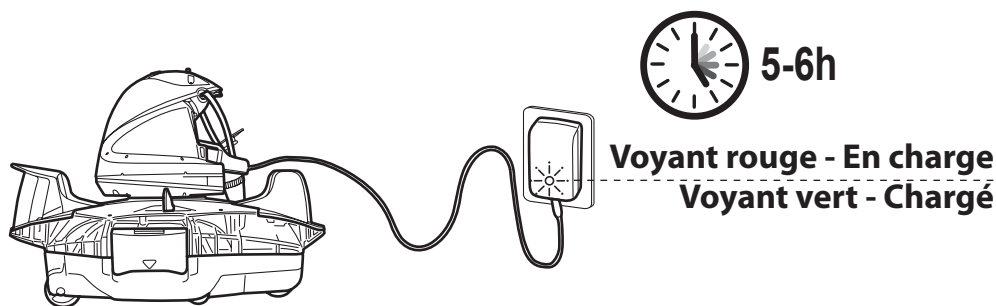
1. Placer l'appareil sur une surface plane. Mettre l'interrupteur en position **ETEINT**.



2. Alignez le connecteur de charge avec le port de charge comme indiqué. Enfoncez le connecteur de charge jusqu'au bout. **ATTENTION!** Assurez-vous que le connecteur de charge et le port de charge sont propres et secs avant de procéder à la charge. **CONSEIL:** Utilisez un coton-tige pour sécher le port de charge et les coussinets.



3. Connecter le transformateur à la source d'alimentation. Le voyant de l'adaptateur externe devient rouge une fois que la charge commence. Le voyant de l'adaptateur externe devient vert lorsque le robot est chargé.



- Déconnecter immédiatement le transformateur de la source d'alimentation en cas de:
 - Odeur forte ou inhabituelle
 - Chaleur excessive
 - Déformation, fissure ou fuite
 - Fumée

4. Lorsque la charge est terminée, déconnecter l'adaptateur de la source d'alimentation et débrancher la câble de charge du transformateur.

A pleine charge et en condition d'utilisation normale, l'aspirateur électrique peut fonctionner jusqu'à 45 minutes.

REMARQUES: Nettoyez régulièrement le compartiment à débris. Des débris excessifs à l'intérieur de ce dernier augmentent l'effort de fonctionnement du moteur et raccourcissent ainsi la durée de fonctionnement.

REMARQUES: La batterie rechargeable au lithium-ion est classée comme consommable. Elle a une durée de vie limitée et perdra graduellement sa capacité de tenir la charge. Par conséquent, le temps de fonctionnement du robot diminue progressivement après rechargement et déchargement répétés tout au long de sa durée de vie.

Une fois que la durée de vie de la batterie arrive à sa fin, consulter la section «**MISE AU REBUT BATTERIES**» pour connaître les instructions relatives à la mise au rebut de la batterie et au remplacement de la tête pivotante.

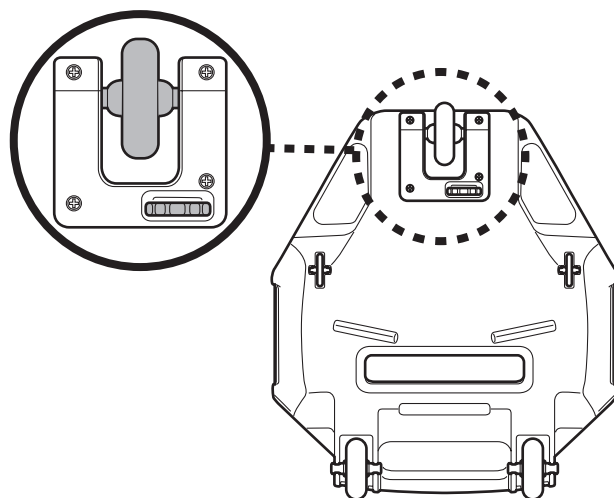
REMARQUE: Laissez le robot reposer pendant 30 à 40 minutes avant de le recharger.

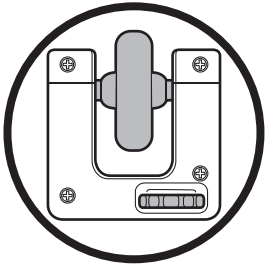
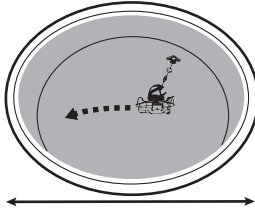
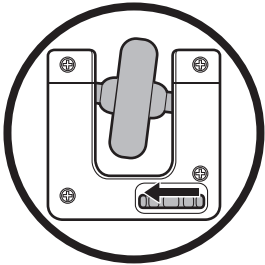
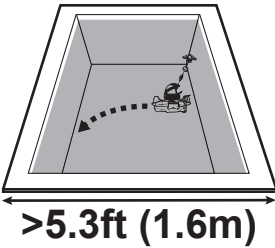
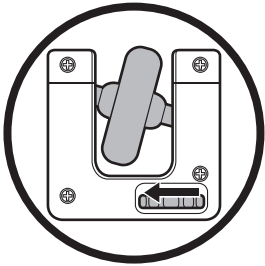
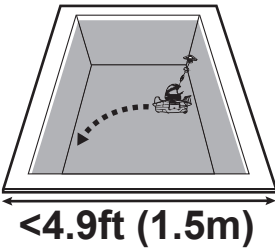
Assemblage avant utilisation

Ajustement de la trajectoire

La trajectoire du robot est déterminée par la position de la roue avant le long de la piste, qui peut être ajustée en tournant le bouton vers la gauche ou la droite.

Commencez avec la roue avant dans la position suggérée. Si nécessaire, vous pouvez essayer une autre position adaptée à votre piscine.



Position de la roue avant	Taille/forme de la piscine
	
	
	

Préparation de la piscine

- S'il y a des cailloux, des racines ou de déchets métalliques sur le liner, les retirer avant utilisation du robot. Si nécessaire, demander l'aide d'un professionnel qualifié.
- Si le liner est friable, endommagé ou froissé, contacter un professionnel qualifié pour effectuer les réparations nécessaires ou effectuer un remplacement du liner avant utilisation du robot.
- Retirer l'échelle, le skimmer de surface et autres objets flottants de la piscine, cela peut gêner le mouvement du flotteur et, par conséquent, le mouvement du robot.
- Pour les piscines d'eau salée, s'assurer que tout le sel est dissous avant de placer le robot dans l'eau.

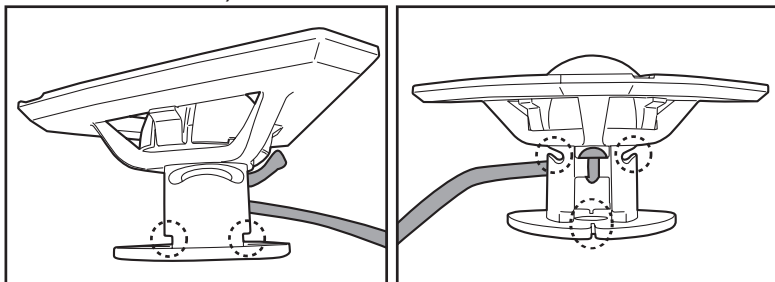
REMARQUE: Pour de meilleurs résultats, il est recommandé d'éteindre la filtration avant d'utiliser le robot.

FONCTIONNEMENT

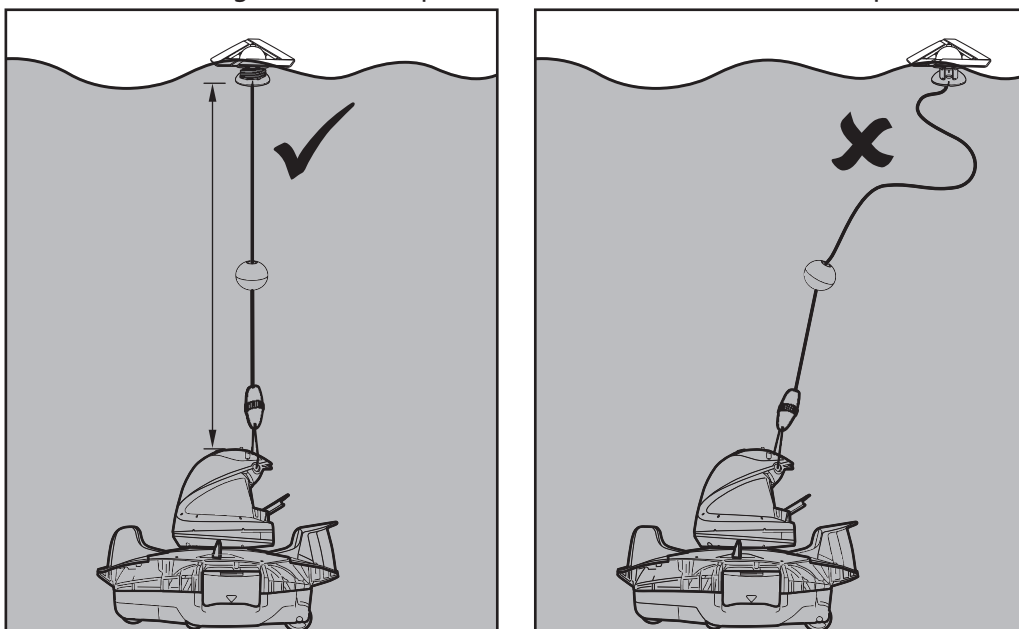
AVERTISSEMENT!

- S'assurer d'éteindre le robot avant de commencer.
- Assurez-vous que le couvercle du compartiment du filtre est en place.
- Assurez-vous que le connecteur de charge est déconnecté avant de déployer le robot dans la piscine.

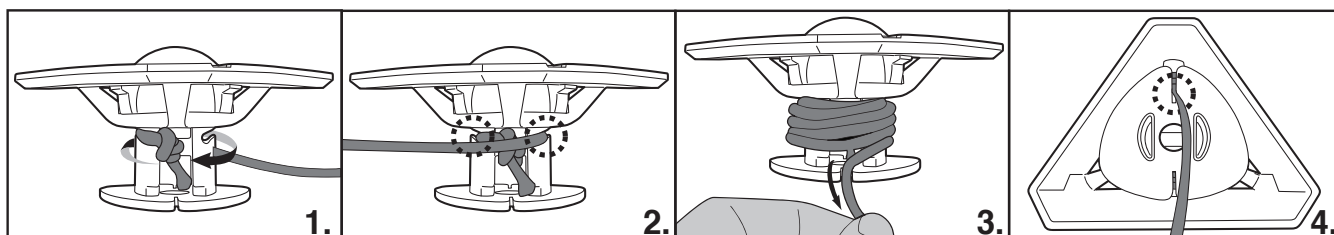
1. Amenez votre robot sur le côté de votre piscine. NOTE: Déployer seulement le robot depuis le côté de la piscine (pas le coin de la piscine) et assurez-vous qu'il est orienté vers l'extérieur pendant que vous le faites. Dérouler le cordon de récupération à partir du flotteur (note: il y a des encoches latérales en haut et en bas de la tige du flotteur, ainsi qu'une fente étroite en bas).



La longueur correcte du cordon doit être équivalente à la distance entre la partie supérieure du robot et le niveau de l'eau. NOTE: Une longueur excessive peut faire tordre le cordon et, en conséquence, affecter le résultat.

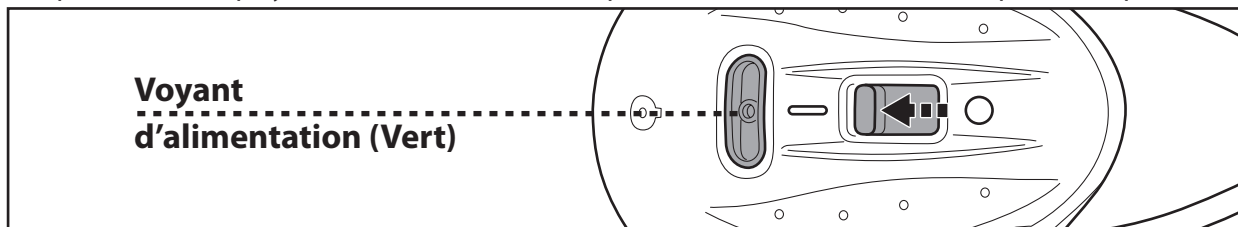


Commencez par aligner et attacher le cordon de récupération aux encoches latérales du haut et commencez à enrouler le cordon autour de la tige dans l'un ou l'autre sens (**étapes 1 et 2**). Continuez à enrouler le cordon jusqu'à ce qu'il atteigne la longueur requise (**étape 3**). Tirez le cordon vers le bas dans la fente inférieure et glissez-la dedans (**étape 4**).



2. Plongez le robot éteint dans la piscine et secouez - le doucement plusieurs fois pour faciliter l'évacuation de l'air. Un excès d'air emprisonné dans le corps peut entraîner un comportement erratique de la tête pivotante (c'est-à-dire tourner plusieurs fois dans la piscine pendant quelques minutes).

3. Mettez l'interrupteur d'alimentation sur la position «**ALLUME**» (lorsque le robot est immergé) - le voyant s'allume et active automatiquement le moteur (le niveau d'eau doit couvrir les capteurs situés sous les plaques de contact de charge à l'arrière de la tête pivotante). Laissez le robot s'enfoncer au fond de la piscine et observez ses premiers mouvements vers l'avant et arrière à travers le fond de la piscine. S'il court le long de la paroi au lieu de perpendiculairement, récupérez-le et redéployez-le tout en vous assurant que son avant / arrière fait face à la paroi de la piscine.

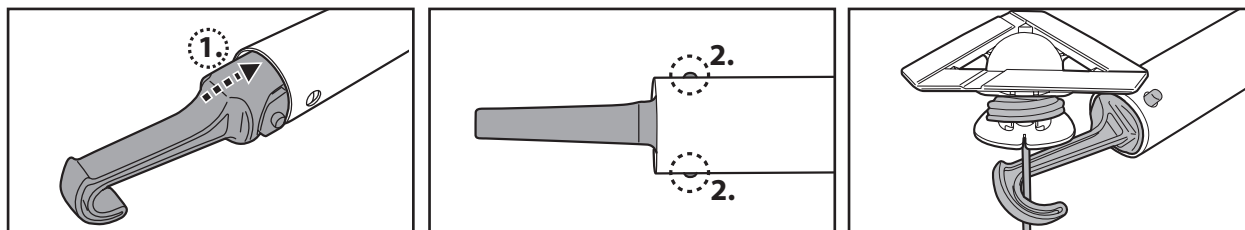


Le voyant d'utilisation commence à clignoter lorsque l'autonomie est réduite à 5 - 10 minutes. Voyant d'utilisation:
 Pas de lumière - Hors tension / pas d'alimentation
 Lumière - Sous tension
 Voyant clignotant - La batterie sera épuisée dans les 5 - 10 minutes.

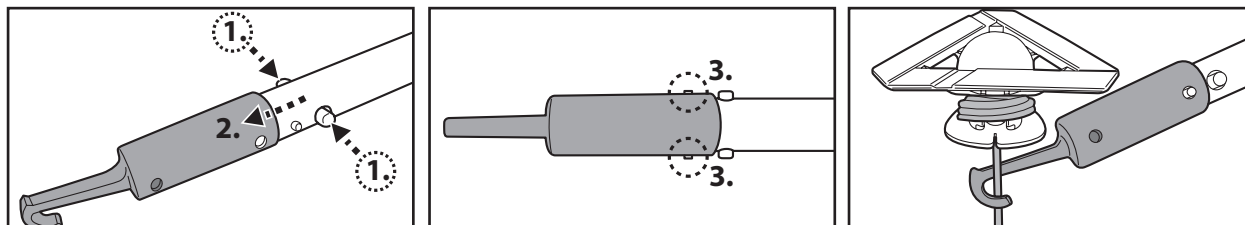
REMARQUE: Ne pas volontairement créer de contact physique avec les capteurs d'eau.

4. Pour retirer le robot de la piscine, attacher le crochet à un manche télescopique (non fourni) et l'utiliser pour récupérer le flotteur, sauf s'il est à porté de main.

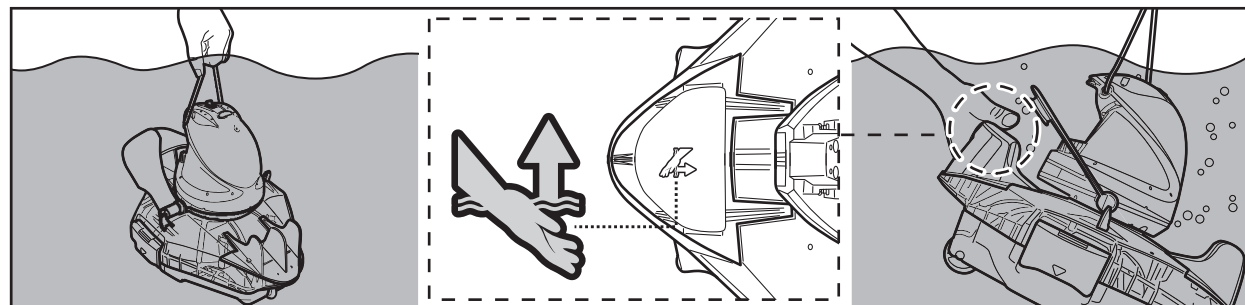
(uniquement pour l'USA / EU)



(uniquement pour l'Australie / Nouvelle - Zélande)



Dès que votre main peut atteindre la boucle de levage, saisissez-la pour soulever le robot jusqu'à la surface de l'eau, puis saisissez l'aileron étiqueté avec le symbole de la main (voir le schéma ci-dessous) pour faciliter la récupération du robot dans la piscine. Tenez toujours le robot par cette extrémité afin d'évacuer l'eau et d'éviter que des débris ne retombent dans la piscine lors de la récupération.



5. Positionner l'interrupteur sur la position ETEINT. Rincer le robot avec de l'eau fraîche après chaque utilisation. Ne PAS utiliser de détergent.
 6. Séchez complètement le port de charge et les plaques de contact de charge (CONSEILS: Vous pouvez utiliser un coton-tige pour les sécher)

REMARQUE: Dans le cas d'une piscine très sale, il est recommandé, pour assurer un nettoyage efficace, de vider le compartiment à débris après les 30 premières minutes de fonctionnement ou quand le mouvement du robot ralenti sensiblement. Replacer ensuite le robot (compartiment à débris vidé) dans la piscine et le laisser finir le reste de son cycle.

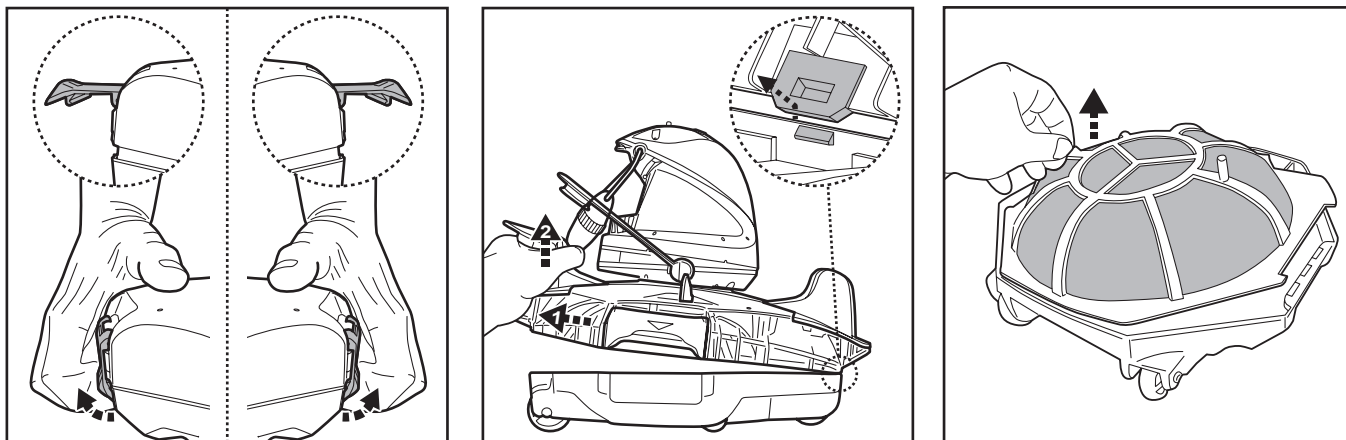
VIDER LE COMPARTIMENT A DEBRIS

AVERTISSEMENT! L'utilisation du robot sans son couvercle du compartiment annule la garantie.

Afin de maximiser l'efficacité du nettoyage, nettoyer le compartiment à débris et le filtre avant et après chaque utilisation.

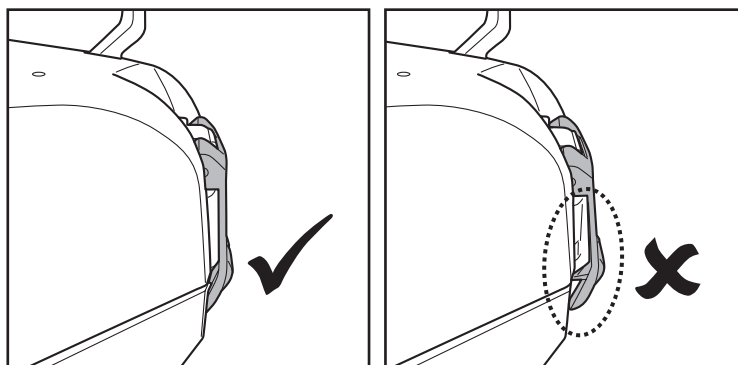
MISE EN GARDE! Avant de nettoyer le compartiment à débris, s'assurer que le robot est **ÉTEINT**.

1. Placer le nettoyeur sur une surface plane. Ouvrez les clips latéraux pour libérer le capot supérieur de la base. Retirez le couvercle supérieur de la base pour exposer le couvercle du filtre.



2. Retirer le filtre puis nettoyer le compartiment à débris. Il est recommandé de nettoyer le filtre à l'aide d'un jet d'eau. Si un brossage est jugé nécessaire, utiliser seulement une brosse souple pour nettoyer délicatement afin de ne pas endommager le filtre. N'appliquer aucune pression sur le filtre.

3. Après le nettoyage, assurez - vous que le couvercle du filtre soit en place et inversez les étapes ci - dessus afin de réaligner le couvercle supérieur sur la base. Appuyez sur les deux clips latéraux jusqu'à ce qu'ils soient fixés à la base. Un « clic » confirme que le couvercle supérieur est bien fixé à la base.



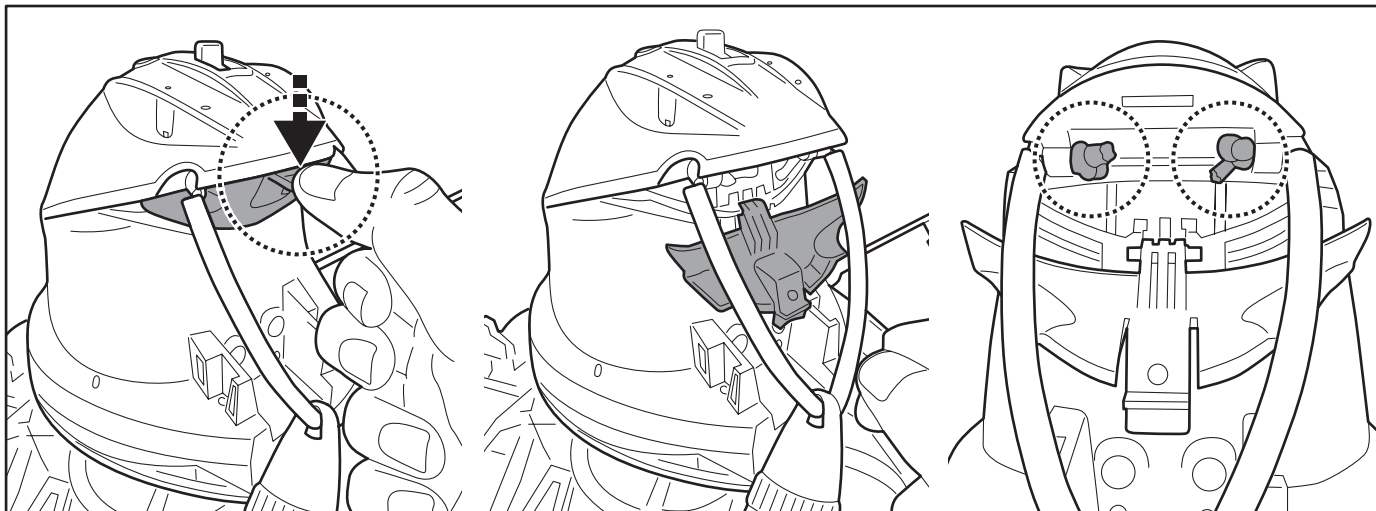
CONSEIL: Avant de redéployer le robot dans la piscine, assurer que le couvercle est bien fixé à la base.

MISE EN GARDE!

- Remplacer un couvercle filtrant endommagé par un neuf avant utilisation.
- Remplacer immédiatement un kit de récupération endommagé par un neuf avant utilisation.
- Remplacer un volet latéral endommagé par un neuf avant utilisation.

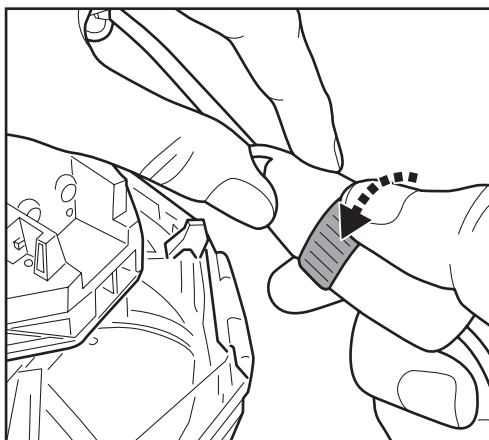
Remplacement de la boucle de levage

Appuyez sur la languette pour libérer le couvercle. Coupez la boucle et remplacez-la par une nouvelle. Assurez-vous que les deux extrémités de la nouvelle boucle sont fixées par un nœud.

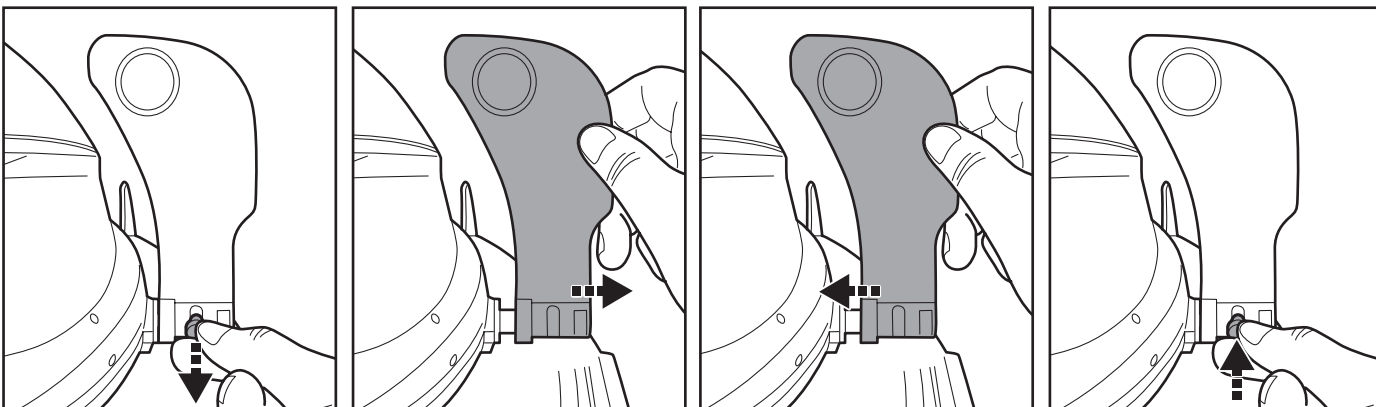


Remplacement du kit de récupération

Localisez le connecteur à vis de la boucle de levage. Saisissez son extrémité qui se trouve sur la boucle et détachez la bague fileté comme indiqué pour libérer le raccord. Répétez les étapes pour installer un nouveau kit de récupération.



Remplacement du volet latéral



ENTRETIEN & STOCKAGE

REMARQUE:

- 1) Assurez-vous de nettoyer et de sécher les zones autour du port de charge et des capteurs d'eau après chaque utilisation pour éviter la formation de taches (sous-produit d'une réaction chimique naturelle entre le courant électrique et l'eau). Les taches peuvent être éliminées grâce à un coton - tige imbibé de jus de citron ou de vinaigre.
- 2) La batterie se décharge toute seule pendant le stockage. S'assurer de recharger l'aspirateur électrique à 30% - 50% avant de le stocker.
- 3) Recharger la batterie au minimum une fois tous les trois mois lorsqu'elle n'est pas fréquemment utilisée.
 - Débrancher l'adaptateur externe de la prise et le connecteur de charge du robot.
 - Retirer les accessoires du robot. Si nécessaire, rincer le robot et les accessoires avec de l'eau fraîche. **Ne PAS** utiliser de détergent.
 - Veiller à vider l'eau du robot avant de l'entreposer.
 - Utiliser un chiffon humide pour nettoyer le robot et ses accessoires, puis sécher.
 - A stocker dans un endroit bien ventilé, à l'écart des rayons du soleil, de la chaleur, des sources d'ignitions, des produits chimiques et des enfants. La température ambiante de stockage doit être comprise entre 10°C et 25°C (50°F - 77°F). **REMARQUE:** Une température de stockage plus élevée peut réduire la durée de vide de la batterie.

AVERTISSEMENT! Vous ne devez en aucun cas démonter la tête pivotante pour remplacer vous-même ses composantes. Si vous le faites, la garantie sera annulée, vous vous exposez à des risques potentiels et à la possibilité d'endommager le dispositif et d'autres éléments.

MISE EN GARDE!

- Une chaleur excessive peut endommager la batterie et réduire la durée de vie du robot.
- Consulter un revendeur concernant le remplacement de la batterie dans les cas suivants:
 - La batterie ne se charge pas complètement.
 - La durée d'utilisation est sensiblement réduite. Observer et enregistrer les temps d'exécution des premières utilisations (sur une pleine charge). Utiliser ces temps d'exécution comme point de référence pour comparaison avec les temps d'exécution futurs.
- La batterie doit être retirée du robot avant de le mettre au rebut.
- Le robot doit être déconnecté du réseau d'alimentation lors du retrait de la batterie.
- La batterie doit être recyclée conformément aux réglementations locales.

REMARQUE: Une maintenance incorrecte peut réduire la durée de vie de la batterie et ainsi affecter son usage.

RECYCLAGE DE LA BATTERIE (Ceci doit être réalisé par un technicien autorisé)

La batterie du robot est une batterie rechargeable au lithium-ion qui ne nécessite pas d'entretien et qui doit être recyclé correctement. Le recyclage est nécessaire; contacter les autorités locales pour plus d'informations.

AVERTISSEMENT! Ne jamais essayer de démonter la batterie.

- Retirer tous objets personnels tels que bagues, bracelets, colliers et montres avant de retirer la batterie du robot.
- La batterie peut produire une charge électrique suffisamment élevée pour fondre une bague (ou un objet similaire) en métal, provoquant de graves brûlures.
- Porter des lunettes de protection, des gants et des vêtements adaptés avant de retirer la batterie.
- Éviter de toucher les câbles électriques et éviter de les laisser entrer en contact avec des objets métalliques, ce qui pourrait provoquer des étincelles et / ou court-circuiter la batterie.
- Ne jamais fumer, laisser une étincelle ou une flamme à proximité de la batterie ou du robot.
- Ne pas exposer pas la batterie au feu ou à une chaleur intense car cela pourrait provoquer une explosion.

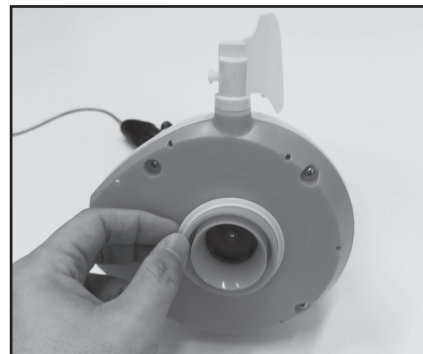
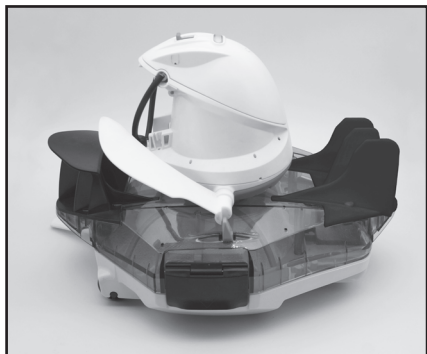
MISE EN GARDE!

- En cas de fuite de la batterie, éviter tout contact avec les fluides qui fuient et placer la batterie endommagée dans un sac en plastique.
- En cas de contact avec la peau et les vêtements des liquides de la batterie, laver immédiatement et abondamment avec de l'eau et du savon.
 - En cas de contact avec les yeux des liquides de la batterie, ne pas frotter les yeux, rincer immédiatement les yeux avec de l'eau froide pendant au moins 15 minutes. Consulter un médecin dès que possible.

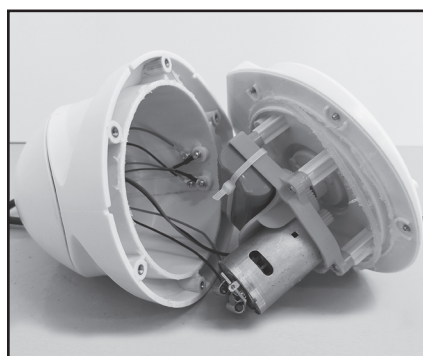
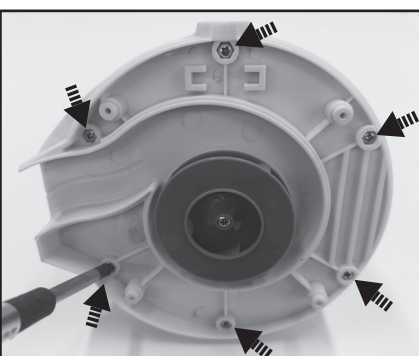
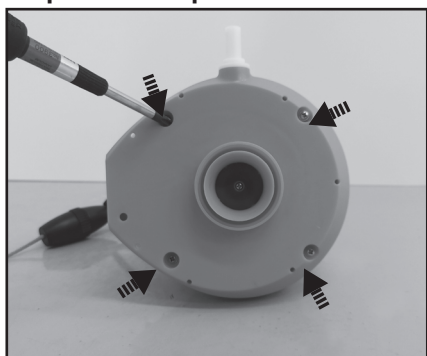
Comment retirer le bloc de batteries uniquement à des fins de recyclage de la batterie (Ceci doit être réalisé par un technicien autorisé)

Outils recommandés (non inclus): Tournevis.

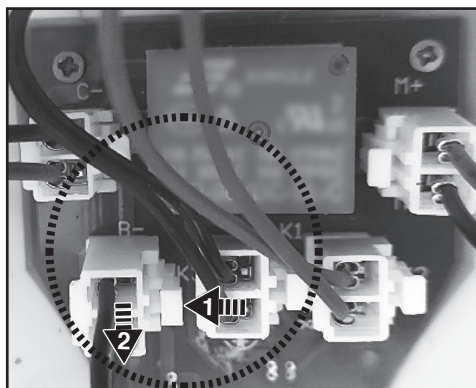
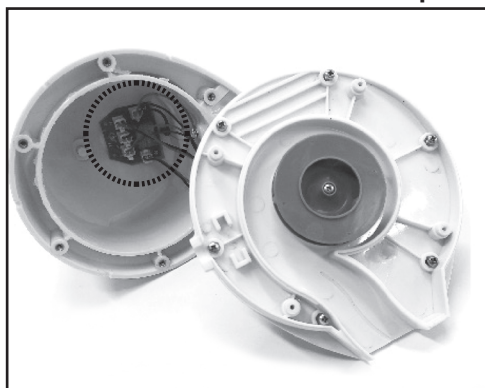
- 1) Suivre la section **“VIDER LE COMPARTIMENT A DEBRIS”** pour libérer le capot (préassemblé avec la tête pivotante). Tournez la plaque de verrouillage inférieure dans le sens contraire des aiguilles d’une montre afin de la dévisser. Retirez la bague de lissage pivotante.



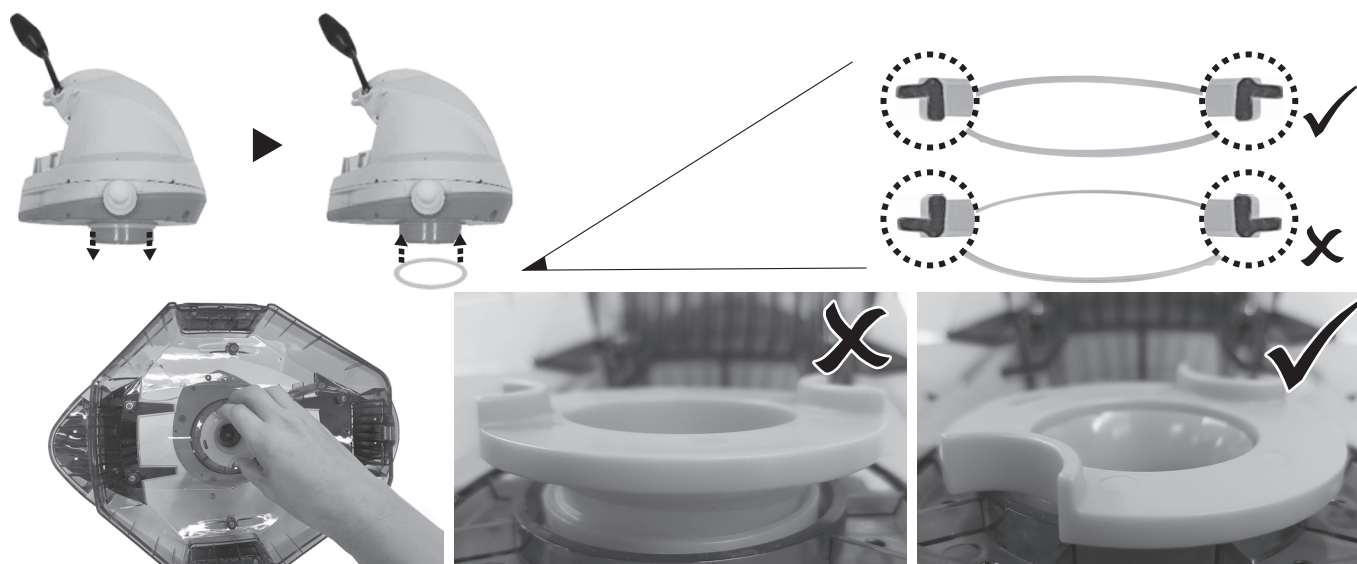
2. Utiliser le tournevis pour dévisser les 4 vis situées en dessous de la tête pivotante pour retirer la plaque inférieure. Utiliser le tournevis pour dévisser toutes les vis de la base comme indiqué. Puis soulever la base et la retirer pour exposer la partie intérieure.



3. Sortir la batterie pour exposer la PCBA. Pour détacher le fil de connexion de la batterie, appuyer sur le clip du connecteur, puis le retirer. **REMARQUE:** Envelopper le connecteur immédiatement avec du ruban isolant afin d’éviter les court-circuits causés par le contact des deux bornes.



Problème	Cause possible	Solution
Le robot ne fonctionne pas lorsqu'il est immergé dans l'eau	Capteurs d'eau tachés	Utilisez un coton-tige imbibé de jus de citron ou de vinaigre pour nettoyer les taches.
Le robot ne capture pas les débris	La batterie est épuisée	Recharger le robot.
	La turbine est bouchée	Éteindre le robot et vérifier visuellement le trou sous la tête pivotante pour voir si la turbine est bouchée par de gros débris. Si nécessaire, contacter votre revendeur pour plus d'instructions. AVERTISSEMENT! S'assurer que le robot est éteint avant que l'unité ne soit entretenue.
	La bouche d'aspiration est bouchée	Enlever les objets qui encombrant la bouche d'aspiration.
	La turbine est cassée	Contactez votre revendeur pour un remplacement.
	Le compartiment à débris est plein	Nettoyer le compartiment à débris et le couvercle filtrant.
Le robot s'arrête au milieu de la piscine mais la tête pivotante continue sa rotation	Le robot est arrêté par un obstacle ou de gros plis dans le liner de la piscine	Vérifier ce qui obstrue le nettoyeur. Retirer l'obstacle.
	Le robot est gêné par l'aspiration principal du fond de la piscine	Eteindre le système de filtration comme indiqué dans la notice.
La tête pivotante tourne à 360° à plusieurs reprises	L'air est attrapé à l'intérieur du robot	Immergez le robot éteint dans la piscine et secouez-le doucement plusieurs fois pour faciliter la décharge d'air avant de le mettre en marche (le mettre en marche immergé dans l'eau). La tête pivotante peut tourner à plusieurs reprises pendant un court moment une fois que le robot s'enfonce au fond de la piscine. Ce phénomène s'arrêtera une fois que l'air emprisonné à l'intérieur du robot sera évacué alors le robot commencera à se déplacer normalement.
Le robot ne couvre pas toute la surface de piscine	Le compartiment à débris est plein	Nettoyer le compartiment à débris.
	Le temps de fonctionnement est plus court que prévu	Nettoyer le compartiment à débris et le filtre, puis recharger le robot pendant 6 heures.
	Le mouvement du robot est perturbé par la circulation de l'eau générée par le système de filtration	Éteindre le système de filtration (comme indiqué dans le manuel de filtration) au moins 15 minutes avant le fonctionnement du robot.
	Les roues sont bloquées	Vérifier et nettoyer les débris présent au niveau des roues.
	La position de la roue avant n'est pas installée correctement	Suivre les instructions pour régler la position de la roue avant.
	Les algues rendent le sol de la piscine glissant ce qui provoque que le robot avance en faisant des cercles	Nettoyer le fond de la piscine et les roues du robot pour retirer les algues.
Le robot se déplace le long du mur de la piscine	La position de la roue avant n'est pas installée correctement / la direction du robot est incorrecte dès le début	Suivez les instructions pour ajuster la position de la roue avant. Assurez-vous que l'avant/arrière du robot fait face au mur de la piscine au début.
Le robot se déplace lentement ou ne bouge pas du tout	Le compartiment à débris est plein ou bien le couvercle du filtre est bouché	Nettoyer le compartiment à débris. Rincer le tamis à l'eau pour retirer les petites particules. Si une brosse est considérée nécessaire, utiliser une brosse douce pour nettoyer le tamis avec délicatesse. Note: s'assurer que le couvercle du filtre est à sa place avant l'opération suivante.
	La bouche d'aspiration est bouchée	Enlever les objets qui encombrant la bouche d'aspiration.
	La turbine est bloquée	Éteindre le robot puis inspecter le trou sous la tête pivotante pour voir si la turbine est bloquée par de gros débris. Si nécessaire, contacter votre revendeur pour plus d'instructions. ATTENTION! S'assurer que le robot est éteint avant que l'unité ne soit entretenue.
La tête pivotante ne tourne pas ou à une rotation anormalement lente	Le volet latéral ne se soulève pas	Vérifier et retirer tous les débris qui gênent le mouvement du volet. Éteignez la filtration de la piscine pour éviter que le mouvement du volet latéral ne soit perturbé par la circulation de l'eau.
	Le fond de la tête pivotante est coincé	Libérer la tête pivotante et l'anneau de lissage conformément aux instructions de la section « Comment retirer le bloc de batteries » du manuel, ensuite: - Retirer les débris coincés. - Inspecter l'anneau de lissage pour détecter des dommages potentiels et l'usure. Le remplacer par un nouveau si nécessaire. - Vérifier que l'anneau de lissage et la plaque de fond sont installés correctement. (consulter les diagrammes ci-après)



Problème	Cause possible	Solution
Des débris s'échappent du robot	Le rabat de la bouche d'aspiration (en dessous du robot) est endommagé	Le clapet de la bouche d'aspiration agit comme une porte pour empêcher les débris de s'échapper du compartiment à débris. Contactez votre revendeur pour les pièces de rechanges et les instructions.
	Des débris sont obstrués au niveau la bouche d'aspiration et empêchent la fermeture du volet	Retirer les débris obstrués de la bouche d'aspiration.
Des débris s'échappent au niveau du couvercle du filtre	Le filtre est endommagé / déchiré	Remplacez le filtre par un nouveau auprès de votre revendeur.
Le flotteur rond coule dans l'eau	Le flotteur est endommagé	Remplacez le flotteur par un neuf chez votre revendeur.
La corde de récupération est tordue	La longueur de le cordon de récupération est trop longue	Ajuster la longueur en fonction des instructions données dans le manuel.
La durée du cycle de nettoyage est plus courte que celle annoncée	La batterie n'est pas complètement chargée	Chargez le robot pendant au moins 6 heures. REMARQUE: si des taches se trouvent sur les plaques de contact de charge, retirez-les en utilisant un coton - tige imbibé de jus de citron ou de vinaigre.
Le robot ne peut pas être chargé / rechargé	La batterie est endommagée	Contactez le revendeur pour les pièces de rechanges. AVERTISSEMENT! Ne PAS ouvrir le robot et remplacer la batterie par vous-même. Cela peut entraîner des blessures graves ou mortelles et annule la garantie.
	Le connecteur de charge n'est pas complètement connecté au robot	Assurez-vous que le connecteur de charge est correctement et entièrement connecté au robot. Reportez-vous au manuel d'instructions.
	Le transformateur est hors service	Contactez le revendeur pour les pièces de rechanges. AVERTISSEMENT! L'utilisation d'un le transformateur non conforme peut endommager le robot / la batterie et annule la garantie.

Programmes environnementaux, Directive européenne DEEE



Veuillez respecter les réglementations de l'Union européenne et aider à protéger l'environnement. Portez les équipements électriques qui ne fonctionnent pas à une installation désignée par votre municipalité qui recycle correctement les équipements électriques et électroniques. Ne les jetez pas dans des poubelles sans triage. Pour les articles contenant des batteries démontables, retirer les batteries avant d'éliminer le produit.



Tous droits réservés. Aucune partie de ce document ne peut être reproduite ou transmise sous quelque forme ou par quelque moyen que ce soit, électroniques, mécaniques, photocopies, enregistrement ou de toute autre façon, sans l'autorisation écrite préalable de Kokido Development Ltd. (L-25010013)

Si une copie électronique de ce manuel d'instructions est requise, veuillez contacter notre service client par email: customerservice@kokido.com

CONSERVEZ CES INSTRUCTIONS


Observación: Según el modelo que posea, los accesorios/piezas que se muestran en este manual no se incluyen necesariamente en todos los modelos. Los productos/piezas de las fotos/dibujos pueden variar según el modelo adquirido. Consulte el gráfico de piezas de repuesto para saber cuáles piezas están incluidas en el modelo que usted ha adquirido.

AVISOS E INSTRUCCIONES DE SEGURIDAD

La información contenida en este Manual de instrucciones le ayudará a operar el artículo de manera segura, protegerse a sí mismo y a los demás de peligros, y evitar daños el artículo y otras propiedades.

GUARDE ESTAS INSTRUCCIONES

¡ATENCIÓN!

- Este dispositivo n NO ES UN JUGUETE. Mantenga a los niños lejos de este limpiafondos y de sus accesorios.
- Los niños no deben usar este producto.
- Este aparato no está diseñado para ser utilizado por personas con capacidades físicas, sensoriales o mentales disminuidas o faltade experienciay conocimiento, a menos que estén bajo supervisión o hayan recibido instrucciones para el uso del dispositivo por parte de una persona responsable de su seguridad y entiendan los peligros que entraña.
- Los niños no deben jugar con este producto.
- La limpieza y el mantenimiento del producto no deben ser realizados por niños.
- Asegúrese de que el limpiafondos está totalmente sumergido en el agua antes de usarlo. El nivel mínimo de agua necesario para usar el dispositivo debe estar por encima del cabezal del limpiafondos. Si el limpiafondos no está sumergido correctamente en el agua, la unidad podría dañarse y la garantía quedará anulada.
- La profundidad máxima a la que se puede usar este limpiafondos es de 3 metros.
-  Condición de uso: Agua: 5°C – 35°C.
- Unidad de alimentación desmontable (adaptador externo).
- El robot solo debe cargarse con el adaptador externo (ya acoplado al conector de carga) suministrado con este producto.
- Conecte el adaptador externo a una fuente de alimentación mediante un interruptor diferencial (ID) (también conocido como RCD) / un interruptor de circuito por defecto a tierra (GFCI, por sus siglas en inglés). En caso de duda, consulte a un electricista profesional cualificado.
- NO use este limpiafondos si detecta cualquier daño.

- Cambie las piezas dañadas con piezas certificadas por el distribuidor o el fabricante.
- Asegúrese de que el robot esté apagado y desconectado de la red eléctrica antes de realizar cualquier mantenimiento, por ejemplo: limpiar el filtro, el anillo de suavizado giratorio, las áreas alrededor de los sensores de agua y el puerto de carga.
- NO intente cambiar la batería recargable de iones de litio preinstalada.
- NO manipule el robot, el adaptador externo y el conector de carga mientras se tenga extremidades húmedas y sin zapatos.
- Asegúrese de que los niños no intenten acceder a la robot mientras está en funcionamiento.
- No se recomienda ingresar a la piscina mientras el robot está trabajando para evitar dañar al robot.
- NO use el limpiafondos sin un filtro intacto instalado, ya que de lo contrario la garantía quedará anulada.
- Peligro de atrapamiento por succión: Este limpiafondos genera succión. No permita que su pelo, cuerpo o prendas sueltas entren en contacto con el orificio de succión del limpiafondos cuando esté en funcionamiento.
- Nunca inserte ninguna parte del cuerpo, ropa u otros objetos en las aberturas o partes móviles del robot.
- NO use este robot para recoger sustancias líquidas tóxicas, inflamables o combustibles (como gasolina), ni en presencia de vapores explosivos o inflamables.
- NO intente, bajo ninguna circunstancia, desmontar el cabezal pivotante para sustituir sus componentes internos. Si lo hace, anulará la garantía, podría exponerse a posibles peligros y dañar el dispositivo y otras propiedades.
- Nunca debe introducir los dedos ni ningún objeto para tocar el propulsor.
- Debe sacar la batería del limpiafondos antes de ser desechado.
- Este limpiafondos incluye una batería que solo puede ser desmontada por personal formado.
- Debe desconectar el limpiafondos de la alimentación eléctrica al retirar la batería.
- Para obtener más detalles sobre la eliminación de la batería, consulte la sección "ELIMINACIÓN DE LA BATERÍA" de este manual y póngase en contacto con las autoridades locales para obtener más información.
- La batería debe desecharse de manera segura y de acuerdo con las ordenanzas o regulaciones locales.
- Adaptador externo y el conector de carga:
 - No use el adaptador externo y el conector de carga para otra tarea que

no sea recargar la batería del limpiafondos, que está incluida en el mismo paquete.

- El adaptador externo y el conector de carga no deben usarse en el exterior, ni deben exponerse a la lluvia, la humedad, líquidos o fuentes de calor.
- El transformador (o adaptador externo) debe estar situado fuera de la zona 1.
- Mantenga el adaptador externo y el conector de carga fuera del alcance de los niños.
- NO use el adaptador externo ni el conector de carga si detecta cualquier daño en ellos.
- NO manipule el adaptador externo ni el conector de carga con las manos mojadas.
- Mantenga el adaptador externo desconectado de la corriente eléctrica cuando no lo esté usando.
- No intente abrir el adaptador externo y conector de carga.
- Si el cable de alimentación del adaptador externo está dañado, el fabricante o su proveedor de servicios debe reemplazar el adaptador externo para prevenir cualquier posible riesgo.
- Asegúrese de que el limpiafondos está totalmente seco antes de recargarlo.

¡PRECAUCIÓN!

- Este limpiafondos ha sido diseñado para su uso bajo el agua; no se trata de una aspiradora multi-función. SOLO debe usarlo para limpiar su piscina.
- Sólo debe usar accesorios originales provistos junto con este producto.
- NO use este limpiafondos justo después de aplicar el tratamiento de choque a la piscina. Se recomienda dejar circular el agua de la piscina durante al menos 24-48 horas.
- Si tiene una piscina de agua salada, asegúrese de que toda la sal esté disuelta antes de introducir el limpiafondos en el agua.
- NO use este limpiafondos eléctrico al mismo tiempo que otra aspiradora / aspiradora eléctrica.
- Retire objetos duros y afilados de la piscina antes de usar el robot para evitar daños al robot y su filtro.
- Para evitar daños en el adaptador externo y el conector de carga, no transporte el robot por el cable del adaptador externo / conector de carga, y no tire del cable desconectar de la fuente de alimentación y el conector de carga.
- Recargue el limpiafondos en una zona interior, con buena ventilación y lejos de la luz solar directa.
- NO deje el limpiafondos cargando durante más de 10 horas.
- Si no va a usar el limpiafondos durante un periodo de tiempo prolongado, sepárelo del conector de carga y use un paño húmedo para limpiar y secar el limpiafondos y sus accesorios. Asegúrese de cargar el limpiafondos entre el 30% y el 50% de la capacidad de su batería antes de guardarlo. Guárdelo en una zona bien ventilada y libre de luz solar, calor, fuentes de ignición y productos químicos para piscina, fuera del alcance de los niños. Recargue el limpiafondos cada tres meses.
- Cualquiera intervención que requiera la apertura del cabezal giratorio (es decir, el reciclaje de la batería) debe ser realizada solo por personal autorizado.

Los avisos y precauciones anteriores pueden no incluir todas posibles situaciones de riesgo y/o lesiones graves. Los propietarios de piscina/spa deben tener siempre mucho cuidado y sentido común al utilizar el producto.

FUNCIONAMIENTO DEL LIMPIAFONDOS

El limpiafondos dispone de una boquilla de propulsión situado en la parte inferior del cabezal pivotante superior. El agua se succiona a través de la entrada de aspiración situada en la parte inferior del limpiafondos, pasa por el filtro y sale por la boquilla de propulsión. El chorro de agua de la boquilla impulsa el limpiafondos hacia adelante. Cuando el limpiafondos se detiene contra un obstáculo como la pared de la piscina, su solapa lateral gira y el cabezal pivotante gira 180°. El limpiafondos empezará a moverse en dirección opuesta. El limpiafondos se suele desplazar con un patrón en línea recta en una dirección, y en arco en la otra dirección. Mientras se mueve, el limpiafondos aspira el fondo de la piscina y captura la suciedad dentro del compartimento del filtro.

PRIMEROS PASOS

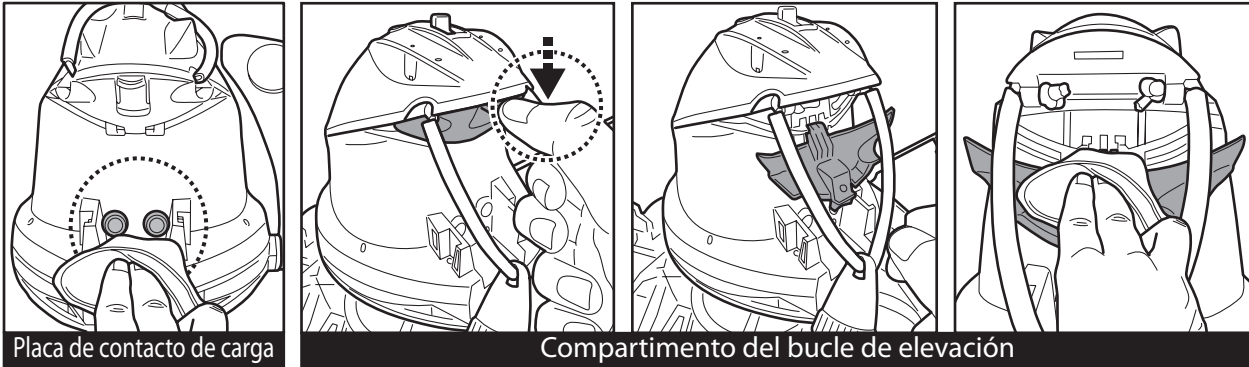
Carga de la batería

AVISO IMPORTANTE: Recargue completamente el limpiafondos (unas 6 horas) antes de usarlo por primera vez.

¡ATENCIÓN!

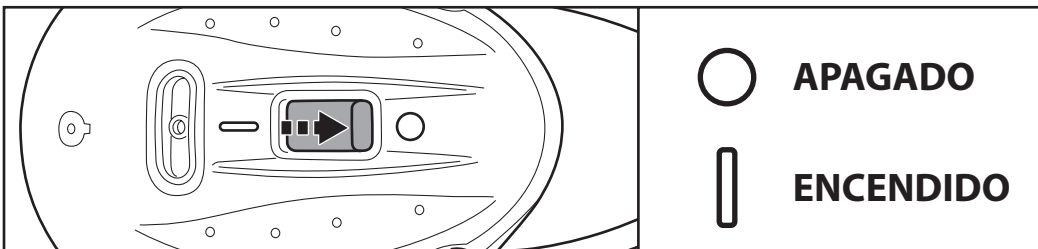
- Solo debe usar el adaptador externo y el conector de carga originales incluidos en el producto.
- Asegúrese de que el robot (especialmente el compartimento del bucle de elevación) y el puerto de carga están limpios y secos antes de la instalación y la carga.

(CONSEJO: Utilice un bastoncillo de algodón para secar el puerto de carga y las placas de contacto de carga).

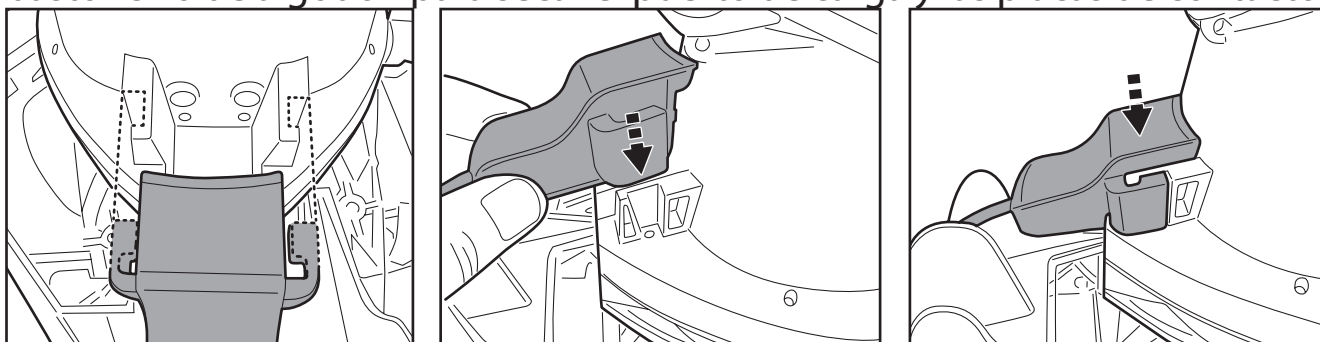


- Las placas de contacto de carga son impermeables. Sin embargo, el agua estancada en el puerto y alrededor de las placas de contacto de carga podría causar manchas naturales (un subproducto de la reacción química entre el agua y las corrientes eléctricas). Las manchas se pueden eliminar frotando ligeramente con un bastoncillo de algodón humedecido con jugo de limón o vinagre.

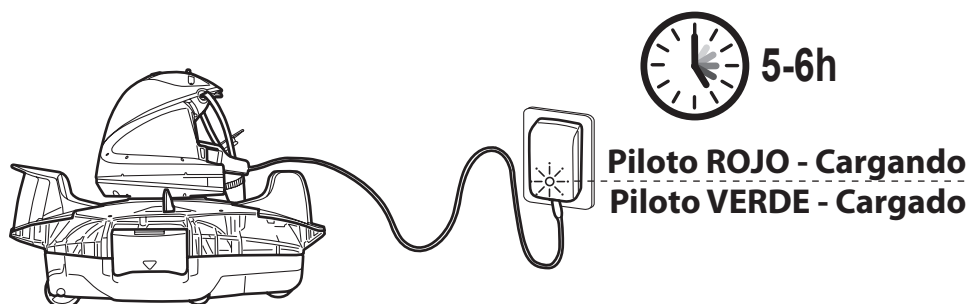
1. Coloque la unidad sobre una superficie estable. Coloque el interruptor en posición **APAGADO**.



2. Alinee el conector de carga con el puerto de carga, tal como se muestra en la siguiente imagen. Presione el conector de carga hasta el fondo. **¡ADVERTENCIA!** Asegúrese de que tanto el conector de carga como el puerto de carga están limpios y secos antes de cargarlos. **CONSEJO:** utilice un bastoncillo de algodón para secar el puerto de carga y las placas de contacto.



3. Conecte el adaptador externo a la fuente de alimentación. El indicador LED del adaptador externo se vuelve rojo después de que comienza la carga. El indicador LED del adaptador externo se vuelve verde cuando el robot está cargado.



- Desconecte inmediatamente el adaptador externo de la fuente de alimentación si detecta cualquiera de las siguientes condiciones:
 - Olor extraño o inusual
 - Calor excesivo
 - Deformación, grietas o fugas
 - Humo

4. Una vez finalizada la carga, desconecte el adaptador externo de la fuente de alimentación y desenchufe el conector de carga de la unidad.

En condiciones normales, el limpiafondos se puede usar hasta 45 minutos si tiene carga completa.

NOTA: Limpie el compartimento del filtro regularmente. El exceso de suciedad en el compartimento del filtro aumenta el trabajo del motor y, como consecuencia, disminuye el tiempo de funcionamiento.

NOTA: La batería recargable de iones litio-ion está clasificada como un producto consumible. Tiene una vida útil limitada y perderá gradualmente su capacidad de retener la carga. Así pues, el tiempo de funcionamiento del limpiafondos se reducirá gradualmente a medida que se cargue y se descargue por su uso.

Cuando se agote la vida útil de la batería, consulte en el apartado «**ELIMINACIÓN DE LA BATERÍA**» las instrucciones para eliminar la batería y sustituir el cabezal giratorio.

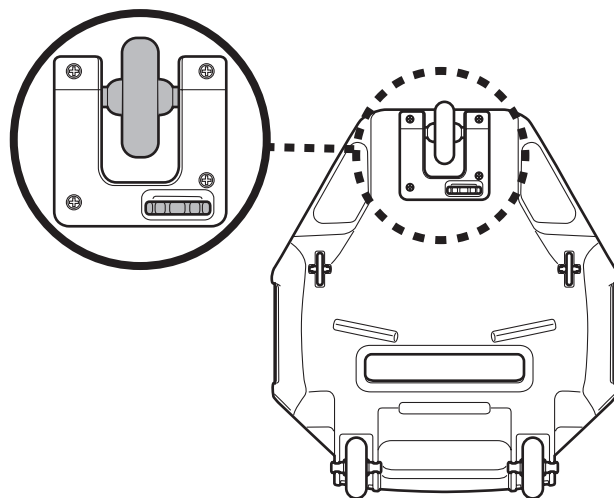
NOTA: Deje reposar el limpiafondos durante unos 30 o 40 minutos antes de volverlo a cargar.

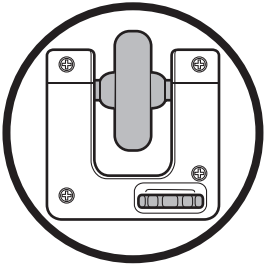
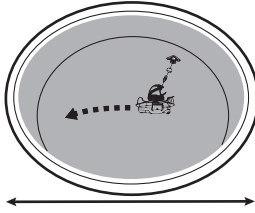
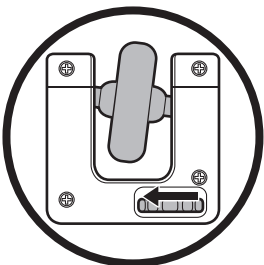
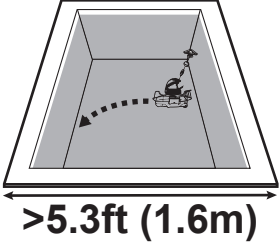
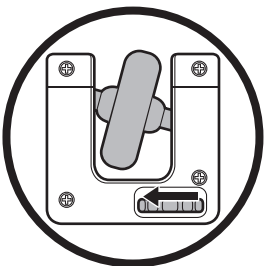
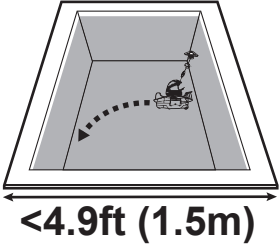
Montaje previo al uso

Ajuste de la trayectoria

La trayectoria del robot está determinada por la posición de la rueda delantera a lo largo de la pista, que se puede ajustar girando la perilla hacia la izquierda o hacia la derecha.

Comience con la rueda delantera en la posición sugerida. Si es necesario, puede probar otra posición que se adapte a su piscina.



Ubicación del pasador	Tamaño de la piscina/forma
	
	
	

Preparación de la piscina

- Si hay piedras, raíces o corrosión metálica en contacto con la parte inferior del revestimiento, retírelas antes de usar el limpiafondos. Pida la ayuda de un profesional cualificado si fuera necesario.
- Si el revestimiento está resquebrajado, dañado o arrugado, contacte con un profesional cualificado para que realice las reparaciones necesarias o sustituya el revestimiento antes de usar el limpiafondos.
- Retire la escalerilla de la piscina, el recogehojas y otros objetos flotantes de la piscina, ya que podrían obstruir el movimiento del flotador del limpiafondos y, en consecuencia, el movimiento del propio limpiafondos.
- Si tiene una piscina de agua salada, asegúrese de que toda la sal esté disuelta antes de introducir el limpiafondos en el agua.

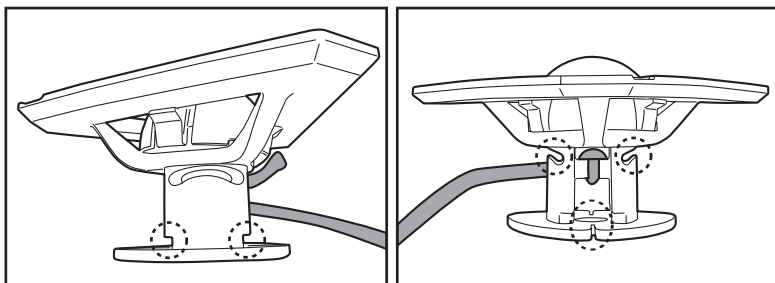
NOTA: Para obtener mejores resultados, se recomienda apagar la filtración antes de usar el robot.

FUNCIONAMIENTO

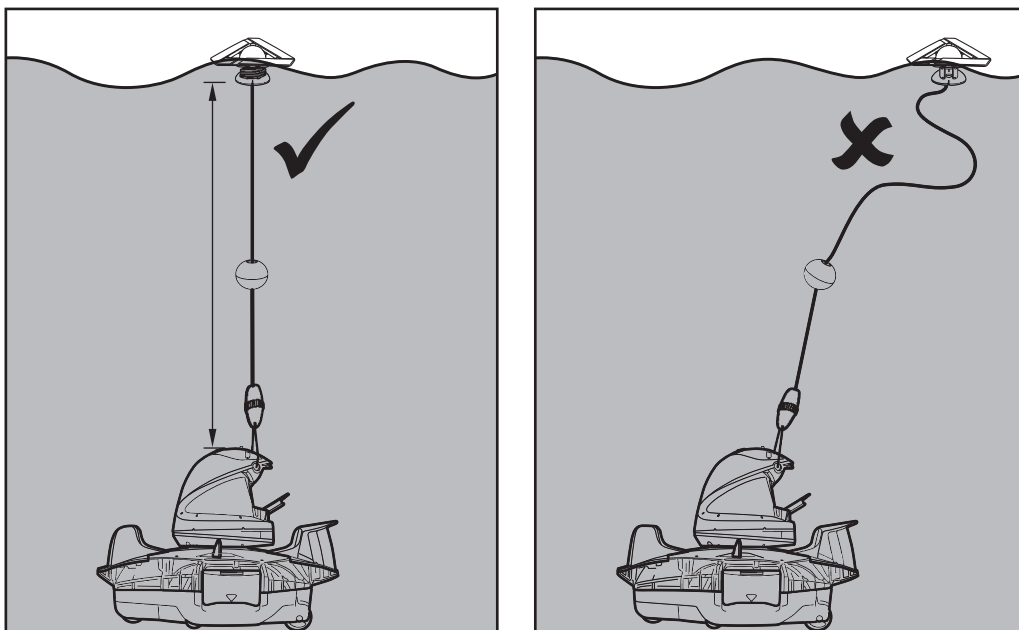
¡ATENCIÓN!

- Asegúrese de apagar el limpiafondos.
- Asegúrate de que la tapa del compartimento del filtro esté colocada correctamente.
- Asegúrese de que el conector de carga está desconectado antes de poner el robot en la piscina.

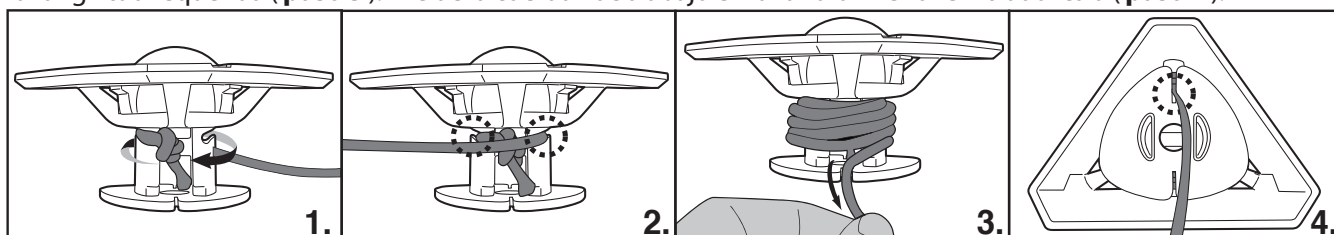
1. Coloque el limpiafondos en el lateral de la piscina. **NOTA:** Introduzca el limpiafondos desde el lateral de la piscina (no desde la esquina) y asegúrese de que está orientado hacia afuera. Desenrolle la cuerda de recuperación del flotador (nota: hay muescas laterales en la parte superior e inferior de la varilla del flotador, así como una ranura estrecha en la parte inferior).



La longitud correcta de la cuerda debe ser equivalente a la distancia entre la parte superior del limpiafondos y el nivel del agua. **NOTA:** Un exceso de longitud podría retorcer la cuerda y afectar al rendimiento del aparato.

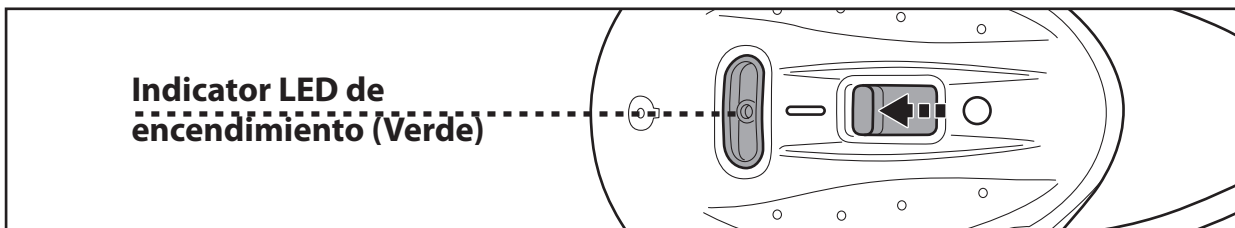


Alinee y ate la cuerda de recuperación a las muescas laterales en la parte superior mientras enrolla la cuerda alrededor de la barra (**pasos 1 y 2**). Continúe envolviendo la cuerda alrededor de la mitad superior de la varilla hasta que alcance la longitud requerida (**paso 3**). Tire de la cuerda hacia abajo en la ranura inferior e introdúzcala (**paso 4**).



2. Sumerja el robot apagado en la piscina y sacúdalo suavemente varias veces para facilitar la evacuación del aire. El exceso de aire atrapado en el cuerpo puede provocar un comportamiento errático de la cabeza giratoria (es decir, girar varias veces en la piscina durante unos minutos).

- Coloque el interruptor de encendido en la posición **"ENCENDIDO"** (cuando el robot esté sumergido): la luz se enciende y activa automáticamente el motor (el nivel del agua debe cubrir los sensores situados debajo de las placas de contacto de carga en la parte posterior del cabezal giratorio). Deje que el robot se hunda hasta el fondo de la piscina y observe sus primeros movimientos de un lado a otro en el fondo de la piscina. Si corre a lo largo de la pared en lugar de perpendicularmente, recupérela y vuelva a desplegarla mientras se asegura de que su parte delantera / trasera mire hacia la pared de la piscina.



El piloto de alimentación empieza a parpadear cuando la energía restante es inferior a 5 - 10 minutos. Piloto indicador de encendido:

Piloto apagado - Apagado / sin alimentación

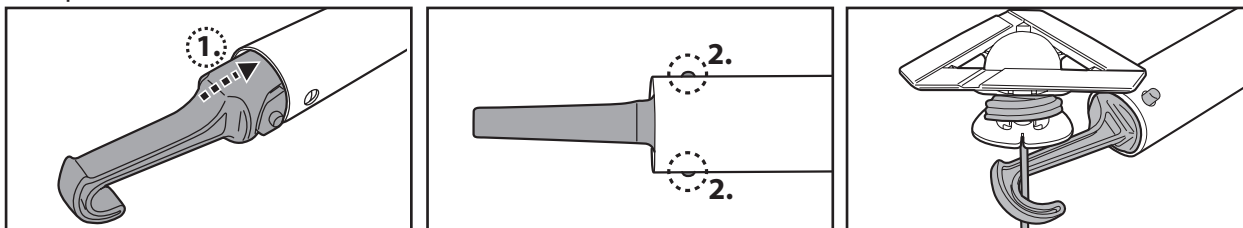
Piloto encendido - Encendido

Piloto parpadeante - La batería se agotará en 5 - 10 minutos.

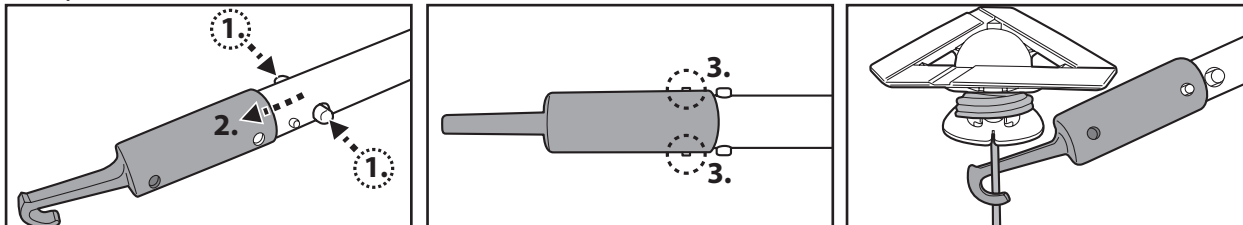
NOTA: No permita que ambos sensores de agua entren en contacto con otra sustancia que no sea agua.

- Si no puede recuperar el robot con las manos, coloque el gancho en un poste telescópico (no incluido) y utilícelo para recuperar el flotador.

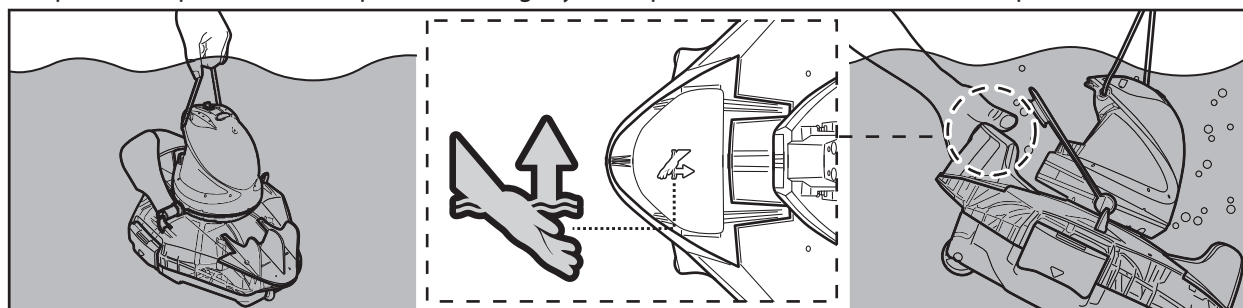
(solo para USA / EU)



(solo para Australia / Nueva Zelanda)



En cuanto su mano pueda alcanzar el asa de elevación, agárrela para elevar el robot hasta la superficie del agua y, a continuación, agarre la aleta etiquetada con el símbolo de la mano (véase el diagrama siguiente) para facilitar sacarlo de la piscina. Agarre siempre el robot por este extremo para drenar el agua y evitar que los residuos vuelvan a caer en la piscina durante la recuperación.



- Coloque el interruptor en posición APAGADO. Enjuague el limpiafondos con agua limpia tras cada uso. NO use detergentes.
- Seque completamente el placas de contacto de carga y las clavijas (CONSEJOS: puede usar un bastoncillo de algodón para secalos)

NOTA: Para garantizar una limpieza eficiente, en caso de que la piscina esté bastante sucia, se recomienda vaciar el compartimento del filtro (dentro del limpiafondos) una vez transcurridos los primeros 30 minutos de funcionamiento, o siempre que el movimiento del aparato se ralentice notablemente. A continuación, vuelva a colocar el limpiafondos (con el compartimento del filtro ya vacío) en la piscina y deje que complete su ciclo.

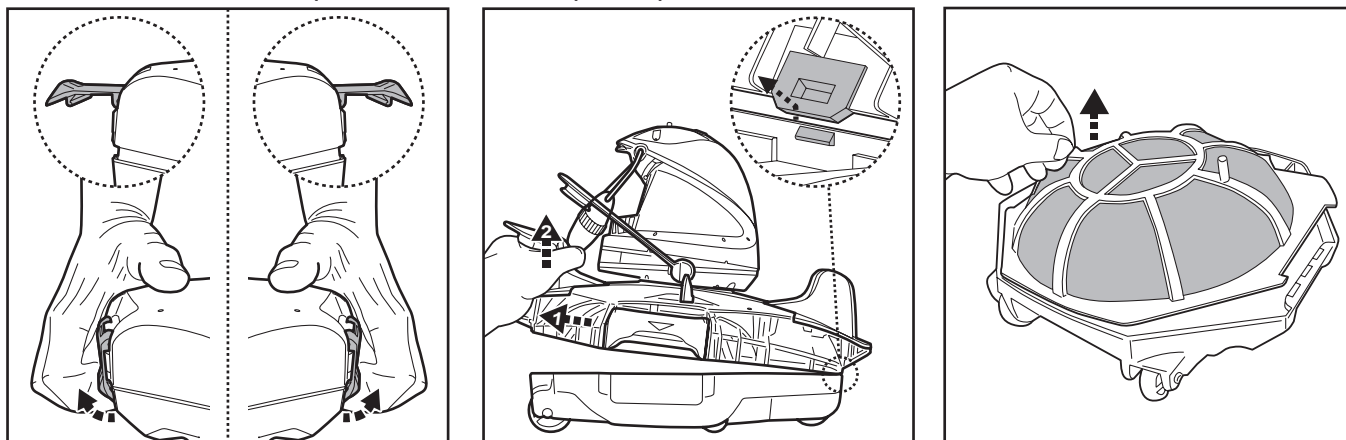
VACIADO DEL COMPARTIMENTO DEL FILTRO

¡ATENCIÓN! El uso del limpiafondos sin una tapa del compartimento del filtro instalada **ANULARÁ** su garantía.

Para maximizar la eficiencia del lavado, asegúrese de limpiar el compartimento y la cubierta del filtro antes y después de cada uso.

¡PRECAUCIÓN! Asegúrese de que el limpiafondos está **APAGADO** antes de limpiar el compartimento de restos.

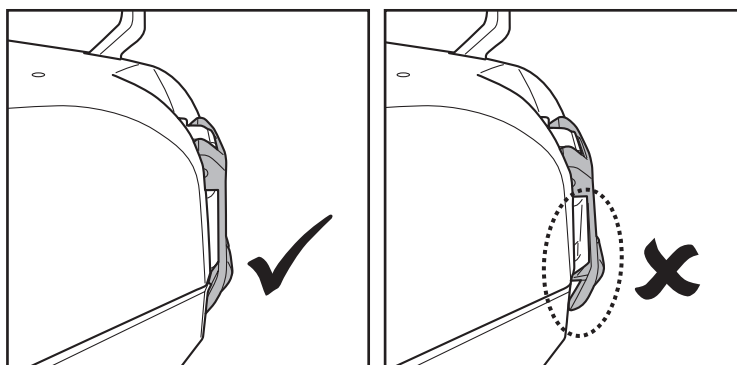
1. Coloque el limpiafondos sobre una superficie plana. Levante los clips laterales para liberar la cubierta superior de la base. Deslice la cubierta superior fuera de la base para exponer el filtro.



2. Retire el filtro y vacíe la suciedad del compartimento. Se recomienda limpiar la malla del filtro con agua. Si requieren cepillado, utilice un cepillo suave y límpielas con delicadeza para evitar deteriorarlas.

3. Después de la limpieza, asegúrese de que la cubierta del filtro esté en su lugar e invierta los pasos anteriores para realinear la cubierta superior a la base.

Presione sobre ambos clips laterales hasta que queden fijados a la base. Cuando oiga un "clic", eso significa que la cubierta superior está fijada a la base.



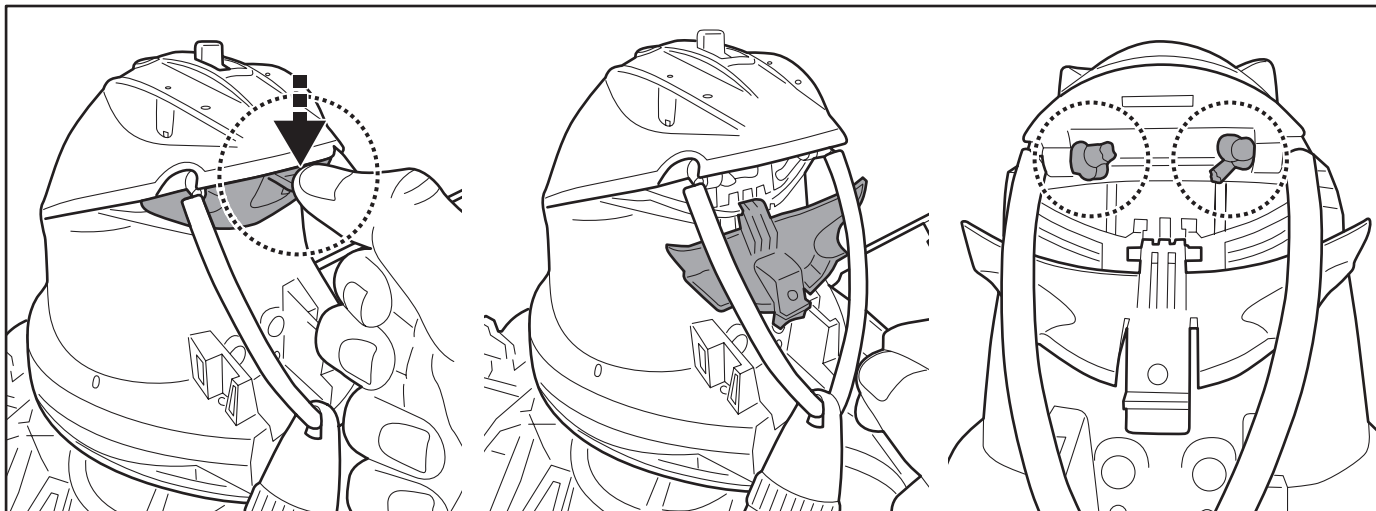
CONSEJOS: Antes de volver a poner el robot en la piscina, asegurarse de que la cubierta superior está bien sujeta a la base.

¡PRECAUCIÓN!

- Sustituya la cubierta del filtro dañado inmediatamente antes del uso siguiente.
- Sustituya inmediatamente el kit de recuperación dañado por uno nuevo antes del siguiente uso.
- Sustituya la pestaña lateral dañado inmediatamente antes del uso siguiente.

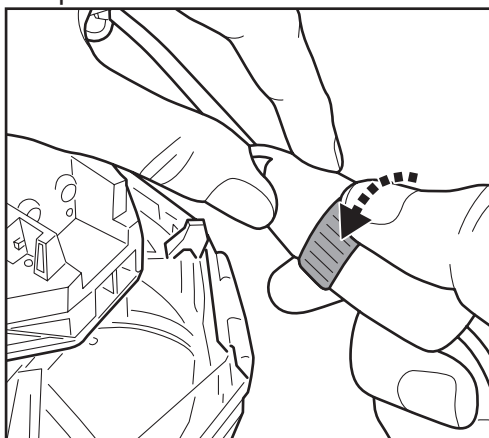
Sustitución del asa de elevación

Presione la lengüeta para soltar la tapa. Corte el asa y sustitúyala por una nueva. Asegúrese de que ambos extremos de la nueva asa estén sujetos con un nudo.

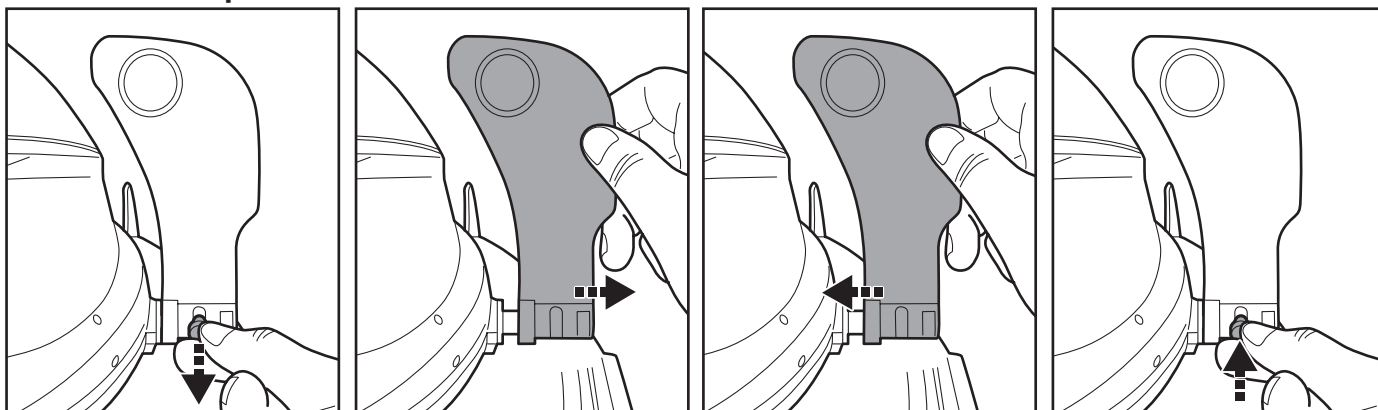


Sustitución del kit de recuperación

Localice el conector roscado en el asa de elevación. Sujete el extremo que está en el asa y suelte el anillo roscado, tal como se muestra en la siguiente imagen, para liberar la conexión. Repita los pasos para instalar un nuevo kit de recuperación.



Sustitución de la pestaña lateral



MANTENIMIENTO Y ALMACENAMIENTO

NOTA:

- 1) Asegúrese de limpiar y secar las áreas alrededor del puerto de carga y los sensores de agua después de cada uso para evitar manchas (un subproducto de una reacción química natural entre la corriente eléctrica y el agua). Las manchas se pueden quitar con un bastoncillo de algodón empapado en jugo de limón o vinagre.
 - 2) La batería se descarga durante los periodos de almacenamiento. Asegúrese de cargar el limpiafondos entre el 30% y el 50% de la capacidad de su batería antes de guardarlo.
 - 3) Debe recargar la batería al menos una vez cada tres meses si no la va a usar.
 - Desenchufe el adaptador externo de la toma de corriente y el conector de carga del adaptador externo y del robot.
 - Desmonte todos los accesorios del limpiafondos. Si fuera necesario, enjuague el limpiafondos y sus accesorios con agua limpia. NO use detergente.
 - Asegúrese de drenar el agua del limpiafondos antes de guardarlo.
 - Use un paño húmedo para limpiar y secar el limpiafondos y sus accesorios.
 - Guárdelos en una zona bien ventilada y libre de luz solar, calor, fuentes de ignición y productos químicos para piscina, fuera del alcance de los niños. La temperatura ambiente de almacenamiento debe ser de 10°C - 25°C.
- NOTA:** Una temperatura de almacenamiento superior podría reducir la vida útil de la batería.

¡ATENCIÓN! No intente, bajo ninguna circunstancia, desmontar el cabezal pivotante para sustituir sus componentes internos. Si lo hace, anulará la garantía, podría exponerse a posibles peligros y dañar el dispositivo y otras propiedades.

¡PRECAUCIÓN!

- El calor excesivo puede dañar la batería y reducir la vida útil del limpiafondos.
- Consulte con su distribuidor para la sustitución de la batería si ocurre lo siguiente:
 - La batería parece dañada o no se carga completamente.
 - El tiempo de funcionamiento de la batería se ha reducido considerablemente. Observe y anote el tiempo de funcionamiento durante los primeros usos (con una carga completa). Use esta información como referencia para comparar el tiempo de funcionamiento en el futuro.
- Debe sacar la batería del limpiafondos antes de ser desechado.
- Debe desconectar el limpiafondos de la alimentación eléctrica al retirar la batería.
- La batería debe desecharse de manera segura y de acuerdo con las ordenanzas o regulaciones locales.

NOTA: Un mantenimiento incorrecto puede reducir la vida útil de la batería y afectar a su capacidad.

ELIMINACIÓN DE LA BATERÍA (Debe hacerlo un técnico autorizado)

Su limpiafondos está equipado con un paquete de baterías de litio-ion recargable que no requiere mantenimiento y que debe ser desechado correctamente. Su reciclaje es obligatorio; contacte con su autoridad local para obtener más información.

¡ATENCIÓN! Nunca debe intentar desmontar un paquete de baterías.

- Quítese todos los objetos personales, como anillos, pulseras, collares y relojes, antes de desconectar el paquete de baterías del limpiafondos.
- Una batería puede generar una corriente de cortocircuito lo suficientemente elevada como para soldar un anillo (u objeto similar) al metal, causando graves quemaduras.
- Al retirar el paquete de baterías debe llevar gafas protectoras, guantes y ropa protectora.
- Evite tocar los cables y que éstos entren en contacto con cualquier objeto metálico, lo cual podría causar chispas y/o un cortocircuito en la batería.
- No fume ni permita la presencia de chispas o llamas cerca de la batería ni del limpiafondos.
- No exponga la batería al fuego o a calor intenso, ya que se podría producir una explosión.

¡PRECAUCIÓN!

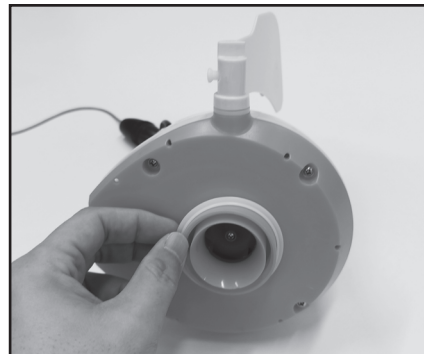
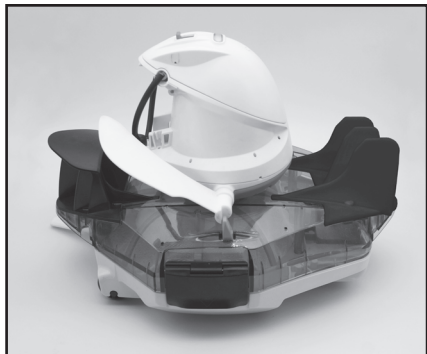
Si se produce una fuga, evite entrar en contacto con los líquidos y coloque la batería dañada en una bolsa de plástico.

- Si los líquidos de la fuga entran en contacto con piel o ropa, lávese inmediatamente con mucha agua y jabón.
- Si los líquidos de la fuga entran en contacto con sus ojos, no los frote; láveselos inmediatamente con agua fresca durante un mínimo de 15 minutos sin frotar. Busque atención médica lo antes posible.

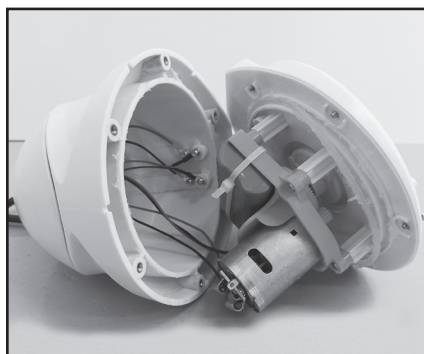
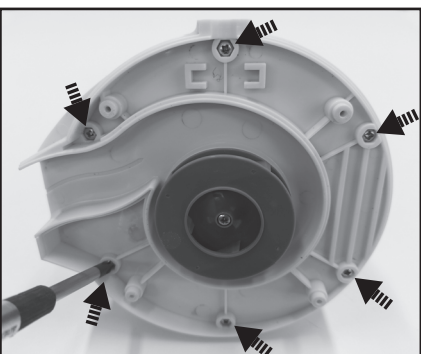
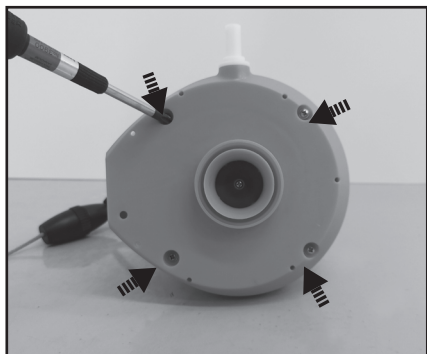
Cómo retirar el paquete de baterías solo para la eliminación de la batería (Debe hacerlo un técnico autorizado)

Herramientas recomendadas (no incluidas): Destornillador.

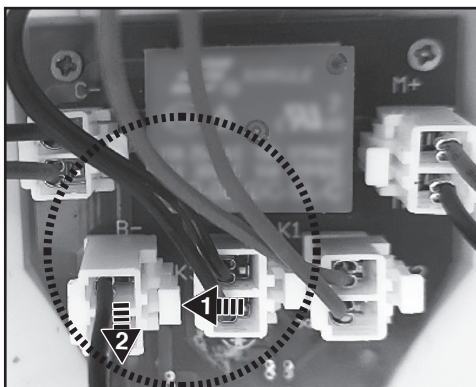
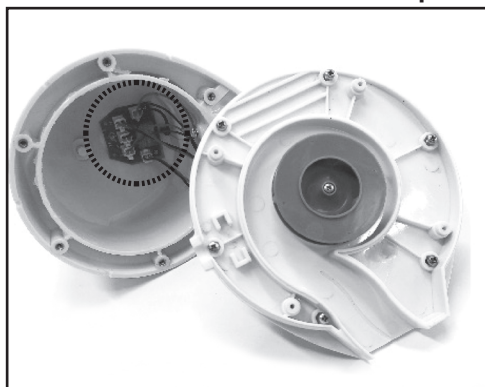
- 1) Siga las instrucciones del apartado «**VACIADO DEL COMPARTIMENTO DEL FILTRO**» para quitar la tapa superior (unida al cabezal de aspiración). Gire la placa de bloqueo inferior en sentido antihorario para desenroscarla. Retire el anillo de suavizado giratorio.



2. Use el destornillador para desatornillar los 4 pernos situados en la parte inferior del cabezal para liberar la placa inferior. Desatornille todos los pernos de la base, tal como aparece en la imagen. Tire de la base y sáquela para dejar el cabezal al descubierto.

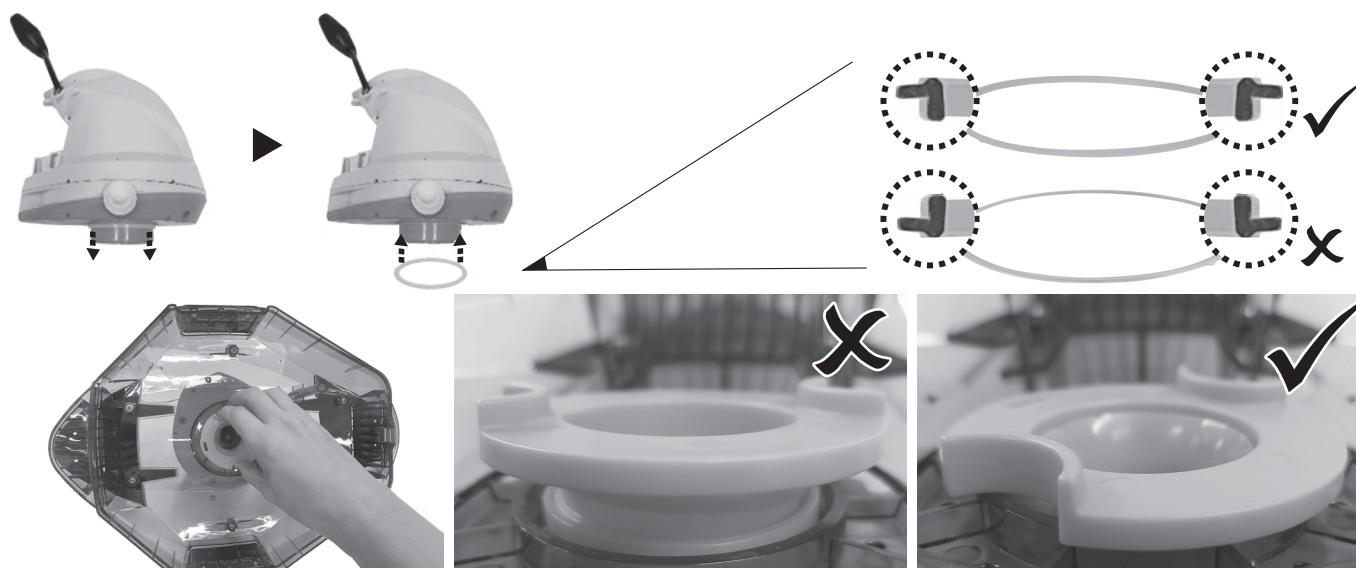


3. Saque el paquete de baterías para dejar el PCBA al descubierto. Para desconectar el cable de la batería, presione el clip del conector y tire de él. **NOTA:** Envuelva inmediatamente el conector con cinta aislante para evitar cortocircuitos causados por el contacto de ambos terminales.



RESOLUCIÓN DE PROBLEMAS

Problema	Posible causa	Solución
El robot no funciona cuando está sumergido en agua	Sensores de agua manchados	Use un bastoncillo de algodón humedecido con jugo de limón o vinagre para limpiar las manchas.
El limpiafondos no captura la suciedad	La batería se está acabando	Vuelva a cargar la batería.
	El propulsor está atascado	Apague el limpiafondos y compruebe visualmente el orificio situado debajo del cabezal de aspiración para ver si el propulsor está atascado a causa de detritos grandes. Si es necesario, contacte con su distribuidor para obtener más instrucciones. ¡ATENCIÓN! Asegúrese de que el limpiafondos está apagado antes de realizar cualquier operación de mantenimiento.
	La entrada de aspiración está atascada	Retire los objetos atascados de la entrada de aspiración.
	El propulsor está roto	Póngase en contacto con su distribuidor para obtener un reemplazo.
	El filtro está lleno	Limpie el compartimento y la cubierta del filtro.
El limpiafondos se ha parado en medio de la piscina, pero el cabezal de aspiración sigue girando	El limpiafondos se ha detenido debido a un obstáculo o a un gran desnivel en el revestimiento de la piscina	Compruebe si hay algo que obstruya el limpiafondos. Retire el obstáculo.
	El robot se ve obstaculizado por la succión principal del fondo de la piscina	Apague el sistema del filtro según se indica en el manual.
El cabezal pivotante gira repetidamente	Aire atrapado en el interior del robot	Sumerja el robot apagado en la piscina y sacúdalo suavemente varias veces para facilitar la descarga de aire antes de encenderlo (enciéndalo sumergido en agua). El cabezal giratorio puede girar repetidamente durante un corto tiempo después de que el robot se hunda hasta el fondo de la piscina. Este fenómeno se detendrá una vez que el aire atrapado dentro del robot sea evacuado, entonces el robot comenzará a moverse normalmente.
El limpiafondos no cubre toda la piscina	El filtro está lleno	Limpie el filtro.
	El tiempo de funcionamiento es más corto de lo esperado	Limpie el compartimento del filtro y vuelva a cargar el limpiafondos durante 6 horas.
	La dirección del desplazamiento se ve interrumpida por la corriente de agua generada por el sistema de filtros	Desactive el sistema de filtrado (tal como se indica en el manual pertinente) al menos 15 minutos antes de poner en marcha el robot.
	La rueda está atascada	Limpie los restos de la rueda.
	La posición de la rueda delantera no es correcta	Siga las instrucciones para ajustar la posición de la rueda delantera.
	Las algas hacen que el fondo de la piscina se vuelva resbaladizo, lo que a su vez consigue que el robot se desplace en círculos	Frote el fondo de la piscina y las ruedas del robot para eliminar las algas.
El limpiafondos se desplaza a lo largo de la pared de la piscina	El rueda delantera no está ajustado en la posición correcta o el robot está orientado en una posición incorrecta al principio	Siga las instrucciones para ajustar bien la rueda delantera. Asegúrese de que la cara delantera / trasera del robot estén encarados a la pared de la piscina al comenzar.
El limpiafondos se mueve lentamente, se detiene o no se mueve en absoluto	El compartimento para basura está llena o el filtro está atascado	Limpie el compartimento de la basura. Lave el filtro con agua para eliminar las partículas pequeñas. Si precisa cepillado, utilice un cepillo y límpielo con suavidad. Nota: asegúrese de que la cubierta del filtro esté bien colocada antes de volver a usar el robot.
	La entrada de aspiración está atascada	Retire los objetos atascados de la entrada de aspiración.
	El propulsor está atascado	Apague el limpiafondos e inspeccione el orificio que hay debajo del cabezal pivotante para ver si el propulsor está atascado debido a restos grandes. Si fuera necesario, contacte con su proveedor para recibir más instrucciones. ¡AVISO! Asegúrese de que el limpiafondos está apagado antes de manipular la unidad.
El cabezal de aspiración no gira o gira lentamente	La pestaña lateral no se levanta	Retire cualquier resto que limite el movimiento de la pestaña. Apague la filtración de la piscina para evitar que el movimiento de la aleta lateral se vea perturbado por la circulación del agua.
	La parte inferior del cabezal giratorio está atascada	Suelte el cabezal giratorio y la anilla pivotante siguiendo las instrucciones del apartado « Cómo retirar el paquete de baterías » del manual y, a continuación: - Retire la suciedad atrapada. - Inspeccione la anilla pivotante para comprobar que no presenta desperfectos o daños por desgaste. Sustitúyala por una nueva si es necesario. - Verifique que la anilla pivotante y la placa inferior estén instaladas correctamente. (consulte las ilustraciones inferiores)



Problema	Posible causa	Solución
La suciedad se sale del limpiafondos	La pestaña de la entrada de aspiración en la parte inferior del limpiafondos está dañada	La pestaña de la boquilla de aspiración funciona como una compuerta y evita que los restos salgan de su compartimento. Contacte con su proveedor para sustituir piezas y recibir instrucciones.
	Hay restos atascados en la entrada de aspiración que no permiten que la pestaña se cierre	Retire los restos atascados de la entrada de aspiración.
Los restos se salen del filtro	La red del filtro está dañada	Reemplace el filtro por uno nuevo de su distribuidor.
El flotador redondo se hunde en el agua	El flotador está dañado	Reemplace el flotador por uno nuevo de su distribuidor.
La cuerda de recuperación está retorcida	La cuerda de recuperación es demasiado larga	Ajustar la longitud de acuerdo con las instrucciones del manual.
La duración del ciclo de limpieza es más corta que la anunciada	La batería no está completamente cargada	Cargue el robot durante al menos 6 horas. NOTA: Si hay manchas en los placas de contacto de carga, quítelos con un bastoncillo de algodón humedecido con jugo de limón o vinagre.
El limpiafondos no se carga / recarga	La batería está dañada	Contacte con su proveedor para sustituir la batería. ¡ATENCIÓN! NO abra el limpiafondos ni sustituya la batería por sí mismo. Podría sufrir heridas graves o fatales y la garantía quedaría anulada.
	El conector de carga no está completamente conectado al robot	Asegúrese de que el conector de carga está conectado al robot de manera correcta y completa. Consulte el manual de instrucciones.
	El adaptador externo no funciona	Contacte con su proveedor para la sustitución. ¡ATENCIÓN! El uso de un adaptador externo inadecuado dañará el limpiafondos/batería e invalidará la garantía.
Programas medioambientales, Directiva Europea WEEE		
	Respete las regulaciones de la Unión Europea y ayúdenos a proteger el medio ambiente. Devuelva los equipos eléctricos desechados al punto indicado por su municipio, en el que se recicle correctamente el equipo eléctrico y electrónico. No lo deposite en contenedores de basura sin separar. En el caso de objetos que incluyan pilas, sáquelas antes de depositar el producto.	
	Todos los derechos reservados. Queda prohibida la reproducción o transmisión parcial o total de este documento de ninguna forma y por ningún medio electrónico, mecánico, en fotocopia, grabación u otros, sin la autorización previa por escrito de Kokido Development, Ltd. (L-25010013)	

Si necesita una copia digital de este manual de instrucciones, contacte con nuestro servicio de Atención al Cliente por correo electrónico: customerservice@kokido.com

GUARDE ESTAS INSTRUCCIONES


Observação: Dependendo do modelo que você possui, os acessórios/peças mostrados neste manual não estão necessariamente incluídos em todos os modelos. O produto/peças em fotos/desenhos podem variar de acordo com o modelo adquirido. Verifique o desenho de peças de reposição para entender as peças incluídas no seu modelo comprado.

AVISOS DE SEGURANÇA E INSTRUÇÕES

As informações contidas neste Manual de Instruções irão ajudá-lo a operar o item com segurança, proteger-se e aos outros de perigo e evitar danos ao dispositivo e a outros bens.

GUARDE ESTAS INSTRUÇÕES

ATENÇÃO!

- Este não é um BRINQUEDO. As crianças devem ser mantidas fora do alcance deste robô e dos seus acessórios.
- Nunca permita que crianças operem este produto.
- Este aparelho não se destina a ser utilizado por pessoas com capacidades físicas, sensoriais e mentais reduzidas ou com falta de experiência e conhecimentos, a menos que lhes seja dada supervisão ou instruções relativas à utilização segura do aparelho e compreendam os perigos envolvidos por uma pessoa responsável pela sua segurança.
- As crianças não devem brincar com este produto.
- A limpeza e manutenção do robô não devem ser realizadas por crianças.
- Certifique-se de que o robô está totalmente imerso na piscina antes de iniciar a operação. O nível mínimo de água necessário para operar o robô deve atingir acima da cabeça giratória do robô. Operar o robô quando ele não está imerso corretamente pode danificar a unidade e anular a garantia.
- A profundidade máxima de operação na água é de 3 metros (9,8 pés).
- Temperatura da água de funcionamento: 5°C (41°F) – 35°C (95°F).
-  Detachable supply unit (external adaptor).
- O robô só deve ser carregado com o adaptador externo (já ligado ao conector de carregamento) fornecido com este produto.
- Conecte o adaptador externo a uma fonte de alimentação através de um dispositivo de corrente residencial (RCD) / um interruptor de circuito de falha no solo (GFCI). Em caso de dúvida, consulte um electricista qualificado.
- Não utilize este robô se for detetado algum dano.
- Substitua peças danificadas por peças certificadas pelo distribuidor ou fabricante.
- Desligue o robô da rede de abastecimento e certifique-se de que o robô está desligado antes de realizar a manutenção regular – como a limpeza do filtro, do anel de alisamento giratório e das áreas em torno dos sensores de água e da porta de carregamento.

- Não tente substituir a bateria de íões de lítio recarregável instalada.
- NÃO manuseie o robô, adaptador externo e conector de carregamento enquanto estiver carregando com membros molhados e sem sapatos.
- Certifique-se de que as crianças não tentam aceder ao robô enquanto este está a funcionar.
- Não é aconselhável entrar na piscina quando o robô está a trabalhar para evitar danos ao robô.
- NÃO utilize este robô sem um filtro intacto no lugar, caso contrário a sua garantia será anulada como resultado.
- Perigo de aprisionamento por sucção: Este robô gera sucção. Não permita que o cabelo, o corpo e quaisquer partes soltas da sua roupa entrem em contacto com o orifício de sucção do robô durante o seu funcionamento.
- Nunca insira partes do corpo, roupas e outros objetos nas aberturas e partes móveis do robô.
- NÃO utilize este robô para recolher qualquer substância tóxica, líquidos inflamáveis e combustíveis (por exemplo, gasolina) na presença de fumos explosivos ou inflamáveis.
- Em nenhuma circunstância você deve desmontar a cabeça giratória para substituir seus componentes internos por conta própria. Fazê-lo anularia a garantia, expor-se-ia a potenciais perigos e, possivelmente, danificaria o dispositivo e outras propriedades.
- Nunca insira dedos ou qualquer objeto para tocar no impulsor.
- A bateria embutida deve ser removida por um técnico especializado antes de ser descartada.
- Este robô contém uma bateria que só deve ser removida por pessoas qualificadas.
- O robô deve ser desligado da rede de alimentação à medida que a bateria é removida.
- Para mais detalhes sobre a reciclagem/eliminação de baterias, consulte a secção “ELIMINAÇÃO DE BATERIAS” neste manual e contacte as autoridades locais para obter mais informações.
- A bateria deve ser eliminada de forma segura de acordo com as leis ou regulamentos locais.
- Adaptador externo e conector de carregamento:
 - Nunca utilize o adaptador externo e o conector de carregamento para outra coisa que não seja carregar a bateria do robô fornecida na mesma embalagem.
 - O adaptador externo e o conector de carregamento não devem ser usados ao ar livre, nem devem ser expostos à chuva, umidade e qualquer líquido ou calor.
 - O transformador (ou adaptador externo) deve estar localizado fora da zona 1.

- Mantenha o adaptador externo e o conector de carregamento fora do alcance das crianças.
- Nunca utilize o adaptador externo e o conector de carregamento se forem detetados quaisquer danos.
- NÃO manuseie o adaptador externo e o conector de carregamento com as mãos molhadas.
- Mantenha o adaptador externo desligado da alimentação quando não estiver a ser utilizado.
- Nunca tente abrir o adaptador externo e o conector de carregamento.
- Se o cabo de alimentação do adaptador externo estiver danificado, o adaptador externo deve ser substituído pelo fabricante ou pelo seu agente de serviço para evitar riscos de qualquer tipo.
- Certifique-se de que o robô está completamente seco antes de carregar.

ATENÇÃO!

- Este robô foi concebido apenas para utilização subaquática; não é um aspirador polivalente. NÃO tente usá-lo para limpar nada além da sua piscina.
- Utilize apenas os acessórios originais entregues com este produto.
- NÃO use este robô logo após o choque da piscina. Recomenda-se primeiro deixar a piscina circulando por pelo menos 24 - 48 horas.
- Se você está planejando usar o robô em uma piscina de água salgada, certifique-se de que todo o sal esteja dissolvido antes de implantar o robô.
- NÃO utilize este robô com outro produto de limpeza/limpeza automático simultaneamente na piscina.
- Remova objetos duros e pontiagudos da piscina antes de implantar o robô para evitar danos ao robô e ao seu filtro.
- Para evitar danos ao adaptador externo e ao conector de carregamento, não tente transportar o robô pelo cabo do adaptador externo / conector de carregamento ou puxe o cabo para desconectá-lo da fonte de alimentação e do conector de carregamento.
- Carregue o robô dentro de casa numa área limpa e seca, com boa ventilação e longe da luz solar.
- NÃO deixe o robô carregado por mais de 10 horas.
- Se o robô não for utilizado durante um período prolongado, retire-o do conector de carregamento e utilize um pano húmido para limpar e secar o robô e os seus acessórios. Certifique-se de carregar o robô até cerca de 30% a 50% da capacidade da bateria antes de ser armazenado. Armazene-o em uma área bem ventilada, longe da luz solar, calor, fontes de ignição, produtos químicos da piscina e crianças. Recarregue o robô a cada três meses.
- Todas as ações relativas à desmontagem da cabeça giratória (ou seja, eliminação da bateria) só devem ser realizadas por um técnico autorizado.

Os avisos e precauções acima não se destinam a incorporar todas as instâncias possíveis para riscos e / ou lesões graves. Os proprietários de piscinas / spas devem sempre ter cuidado extra e bom senso ao utilizar o produto.

COMO FUNCIONA O ROBÔ

O robô tem um bico propulsor de água na parte inferior da cabeça giratória. A água é primeiro sugada através da boca de sucção na parte inferior do robô, que depois passa pelo filtro e é descarregada através do bico propulsor. O jato de água do bico impulsiona o robô para a frente. Uma vez que o robô para contra um obstáculo como a parede da piscina, a sua aba lateral balança e a sua cabeça giratória gira 180°, permitindo que o robô se mova na direção oposta. O robô se move em um padrão geralmente reto em uma direção e em um padrão de arco na outra direção. O robô aspira o fundo da piscina à medida que se move, recolhendo detritos no seu compartimento.

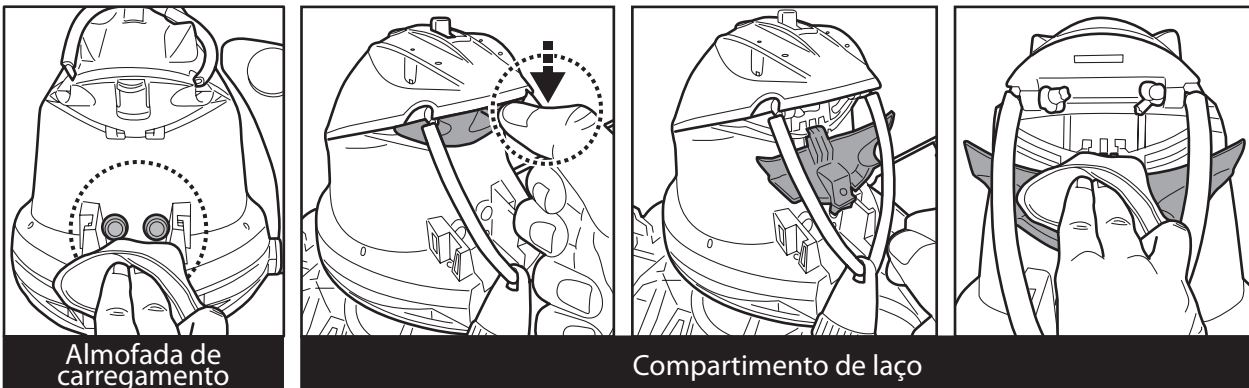
PRIMEIROS PASSOS

Carregando a bateria

NOTA IMPORTANTE: Carregue totalmente o robô (cerca de 6 horas) antes de o utilizar pela primeira vez.

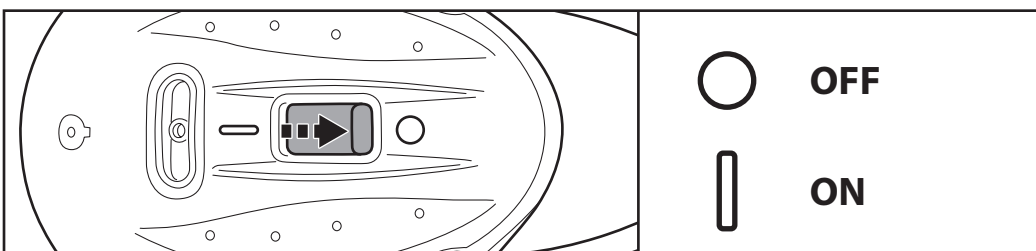
ATENÇÃO!

- Use apenas o adaptador externo original e o conector de carregamento fornecido.
- Certifique-se de que o robô (particularmente o compartimento do circuito de elevação) e a porta de carregamento estão limpos e secos antes de configurar e carregar. (DICAS: use um cotonete para secar a porta de carregamento e as almofadas de carregamento.)

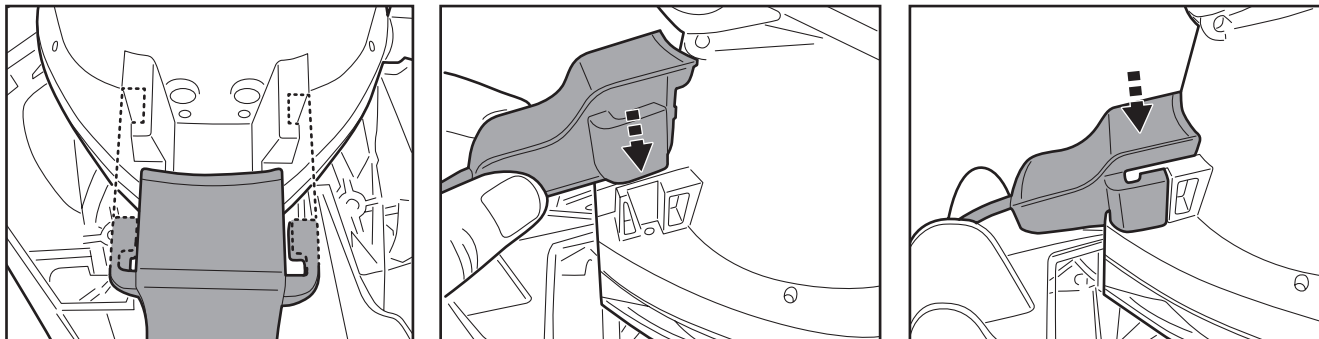


- As almofadas de carregamento são impermeáveis. No entanto, restos de água no porto e ao redor das almofadas podem resultar na ocorrência natural de manchas (um subproduto da reação química entre a água e as correntes elétricas). Caso contrário, as manchas podem ser removidas esfregando levemente com um cotonete embebido com suco de limão ou vinagre.

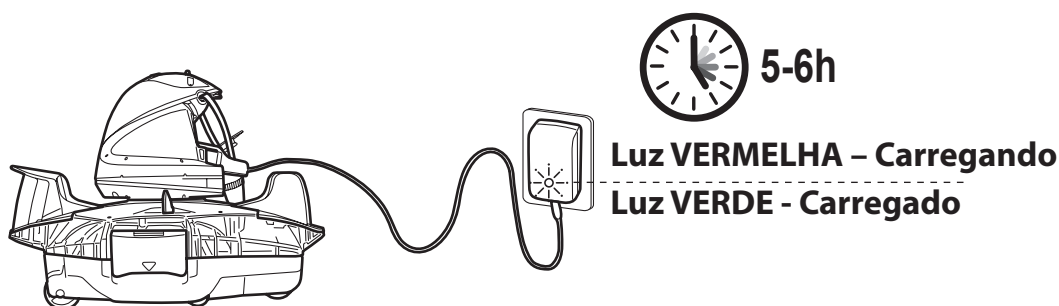
1. Coloque a unidade sobre uma superfície plana. Deslize o interruptor para a **posição OFF**.



2. Alinhe o conector de carregamento à porta de carregamento, conforme mostrado. Pressione o conector de carregamento o tempo todo. **ATENÇÃO!** Certifique-se de que o conector de carregamento e a porta de carregamento estão limpos e secos antes de carregá-los. **DICA:** Use um cotonete para secar a porta de carregamento e as almofadas.



3. Ligue o adaptador externo à fonte de alimentação. A luz indicadora no adaptador externo fica vermelha quando o carregamento começa. A luz indicadora no adaptador externo ficará verde quando o robô estiver carregado.



- Desligue imediatamente o adaptador externo da fonte de alimentação se detetar qualquer uma das seguintes situações:
 - Odor ofensivo ou incomum
 - Calor excessivo
 - Deformações, fissuras, fugas
 - Fumo

4. Quando o carregamento estiver concluído, desligue o adaptador externo da fonte de alimentação e desligue o conector de carregamento da unidade. Normalmente, o robô pode operar até 90 minutos com uma carga completa.

NOTA: Limpe o compartimento de detritos regularmente. O excesso de detritos dentro do compartimento de detritos aumenta a carga para a operação do motor e, como resultado, reduz a duração da operação.

NOTA: A bateria de íões de lítio recarregável é classificada como um item consumível. Tem uma vida limitada e perderá gradualmente a sua capacidade de deter uma carga. Portanto, o tempo de funcionamento do robô reduzirá gradualmente após repetidas cargas e descargas ao longo da vida útil do produto.

Quando a vida útil da bateria chegar ao fim, consulte a secção **“ELIMINAÇÃO DA BATERIA”** para obter instruções sobre a eliminação da bateria e a substituição da cabeça giratória.

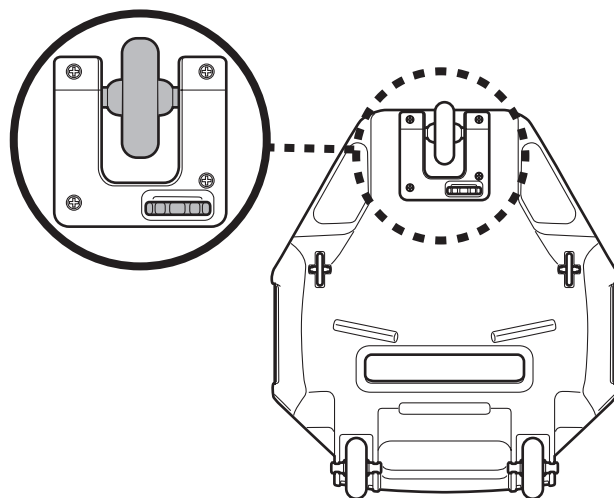
NOTA: Deixe o robô descansar cerca de 30 a 40 minutos antes de o carregar novamente.

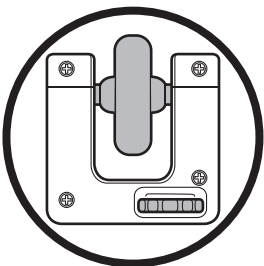
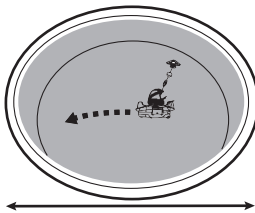
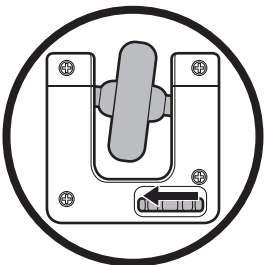
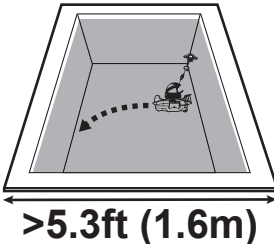
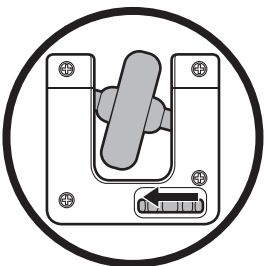
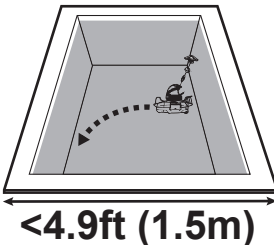
Configuração antes da utilização

Ajuste de Trajetória

A trajetória do robô é determinada pela posição da roda dianteira ao longo da pista, que pode ser ajustada girando o botão para a esquerda ou para a direita.

Comece com a roda dianteira na posição sugerida. Se necessário, você pode tentar outra posição para se adequar à sua piscina.



Posição da roda dianteira	Tamanho/forma da piscina
	
	 <p>>5.3ft (1.6m)</p>
	 <p><4.9ft (1.5m)</p>

Preparação da Piscina

- Se houver pedras, raízes ou corrosão metálica em contacto com a parte inferior do forro, elimine-as antes de utilizar o robô. Se necessário, procure ajuda de um profissional qualificado.
- Se o forro estiver quebradiço, danificado ou enrugado, contacte um profissional qualificado para realizar as reparações necessárias ou realizar uma substituição do forro antes de utilizar o robô.
- Remova qualquer escada da piscina, skimmer de superfície e outros objetos flutuantes da piscina, pois podem obstruir o movimento da flutuação do robô e, conseqüentemente, o movimento do robô também.
- Se estiver a utilizar uma piscina de água salgada, certifique-se de que todo o sal está dissolvido antes de colocar o robô na água.

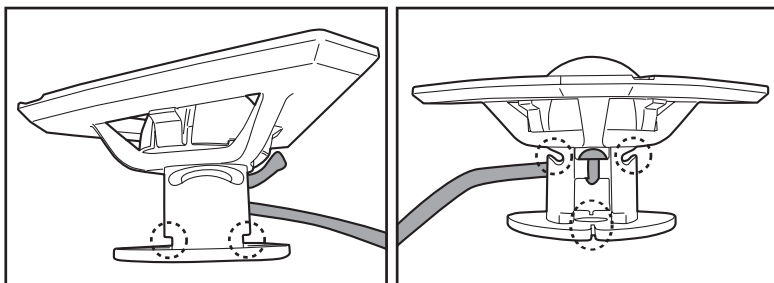
NOTA: Para um melhor resultado, recomenda-se desligar a filtração antes de utilizar o robô.

FUNCIONAMENTO

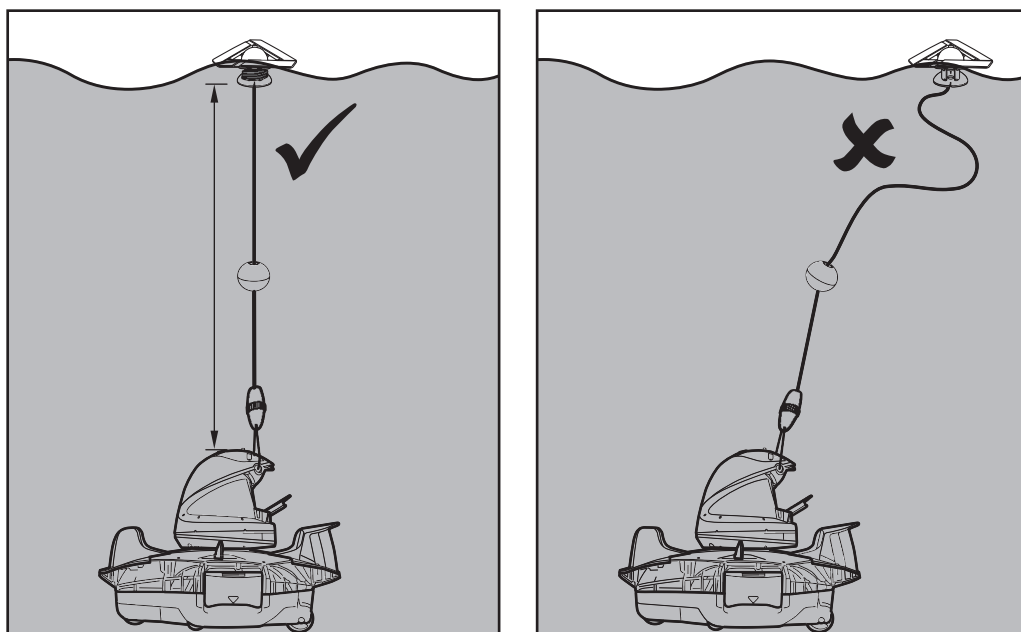
ATENÇÃO!

- Certifique-se de que o robô está desligado.
- Certifique-se de que a tampa do filtro está no lugar.
- Certifique-se de que o conector de carregamento está separado antes de colocar o robô na piscina.

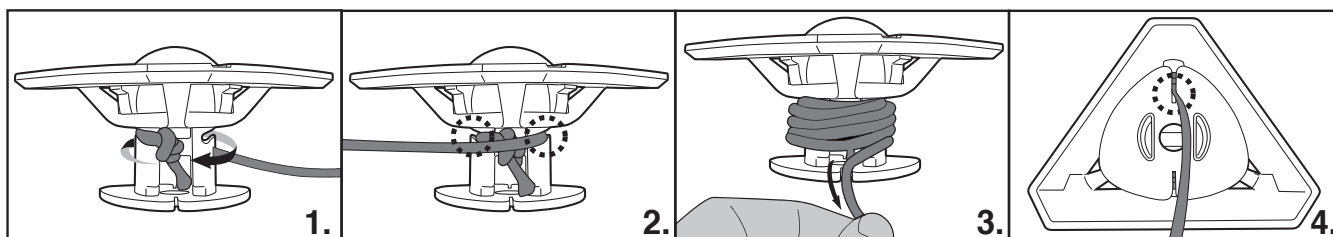
1. Traga o robô para o lado da sua piscina. NOTA: Coloque o robô apenas do lado da piscina (não do canto da piscina) e certifique-se de que está virado para fora à medida que o faz. Desembrulhe o cordão de recuperação do flutuador (nota: existem entalhes laterais na parte superior e inferior da haste, bem como uma ranhura estreita na parte inferior).



O comprimento correto da corda deve ser equivalente à distância entre o topo do robô e o nível da água. NOTA: O comprimento excessivo pode dobrar a corda e, como resultado, afetar o desempenho.

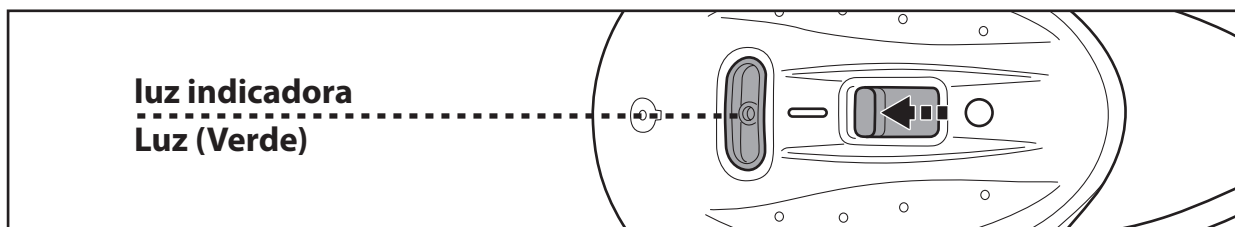


Primeiro, alinhe e prenda o cabo de recuperação aos entalhes laterais na parte superior e comece a envolver o cabo em torno da haste em qualquer direção (**passo 1 & 2**). Continue a envolver o cabo até atingir o comprimento necessário (**passo 3**). Puxe o cabo até à ranhura inferior e encaixe-o (**passo 4**).



2. Com o robô desligado, mergulhe-o na piscina e agite-o suavemente algumas vezes para facilitar a descarga de ar. O excesso de ar retido no corpo pode resultar num comportamento errático da cabeça giratória (ou seja, rodar repetidamente na piscina durante alguns minutos).

3. Deslize o interruptor de alimentação para "ON" (enquanto o robô está submerso) – a luz indicadora liga-se e ativa o motor automaticamente (o nível de água deve cobrir os sensores por baixo das almofadas de carregamento na parte de trás da cabeça giratória). Deixe o robô afundar no chão da piscina e observe os seus primeiros movimentos para a frente e para trás no fundo da piscina. Se correr ao longo da parede da piscina em vez de perpendicularmente, recupere-o e volte a implantá-lo, certificando-se de que a sua frente/costas está virada para a parede da piscina.



A luz indicadora de energia começa a piscar quando restam 10 minutos de uso. Luz indicadora de energia:

Sem luz - Desligar/sem energia

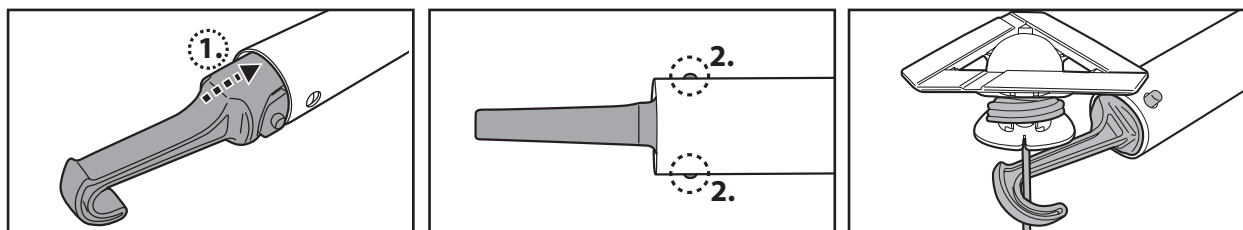
Luz - Ligue

Luz intermitente - A energia da bateria esgotar-se-á em 10 minutos.

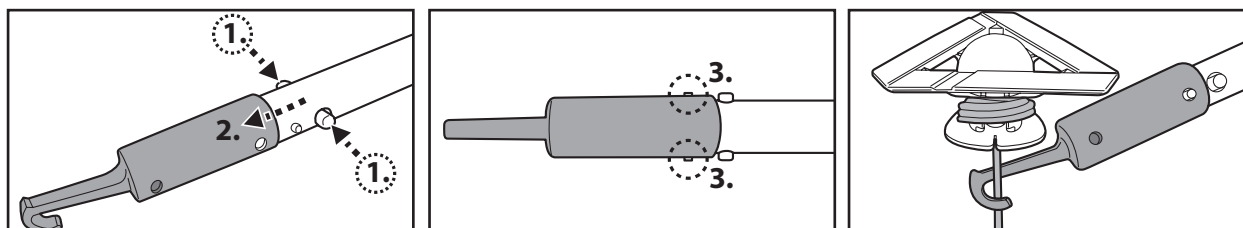
NOTA: Abster-se de fazer qualquer contacto físico com ambos os sensores de água.

4. Para recuperar o robô da piscina, prenda o gancho a um poste telescópico (não fornecido) e use-o para recuperar o flutuador, se não conseguir recuperar com as mãos.

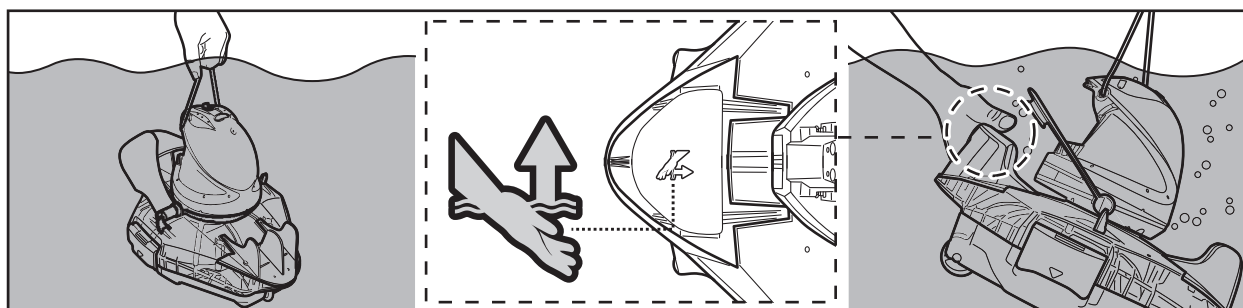
(apenas para UE ou EUA)



(apenas para a Austrália / Nova Zelândia)



Assim que a sua mão conseguir alcançar o circuito de elevação, agarre-o para elevar o robô à superfície da água e, em seguida, segure a barbatana rotulada com o símbolo da mão (ver diagrama abaixo) para facilitar a recuperação da piscina. Segure sempre o robô a partir desta extremidade para drenar a água e evitar que os detritos caiam de volta na piscina durante a recuperação.



5. Desligue o interruptor de alimentação Lave o robô com água fresca após cada utilização. NÃO utilize detergente.

6. Seque bem a porta de carregamento e as almofadas (DICAS: Use cotonete para secá-las).

NOTA: Para garantir a limpeza mais eficiente, quando a sua piscina estiver bastante suja, recomenda-se esvaziar os detritos comparação após os primeiros 30min de operação, ou sempre que o movimento do robô tiver diminuído visivelmente. Em seguida, devolva o robô (com um compartimento de detritos vazio) à piscina e deixe-o correr pelo restante do seu ciclo.

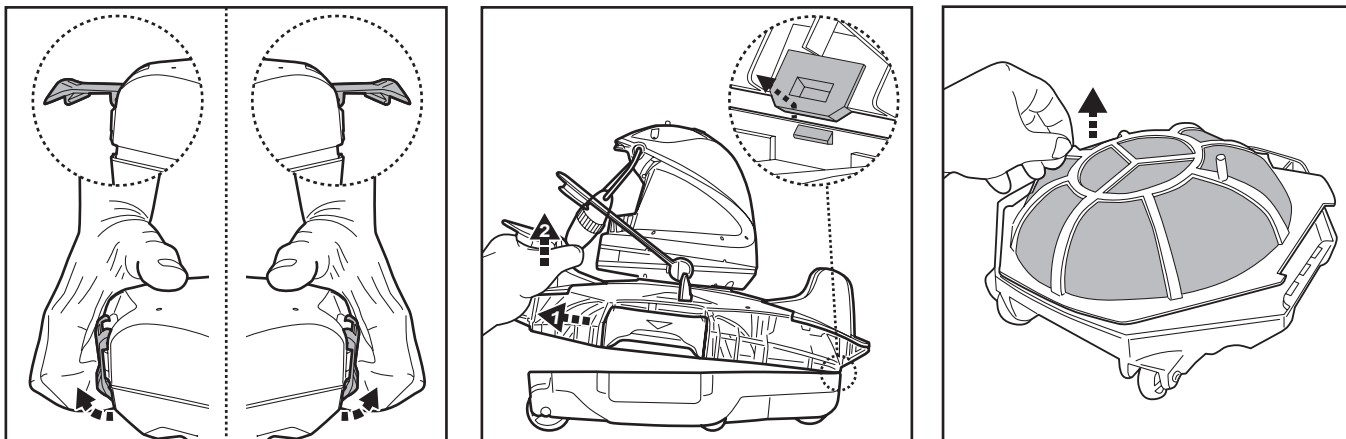
ESVAZIAMENTO DO COMPARTIMENTO DE DETRITOS

ATENÇÃO! Usar o robô sem a tampa do filtro no lugar será VOID a sua garantia.

Para maximizar a eficiência de limpeza, limpe o compartimento de detritos e a tampa do filtro antes e depois de cada utilização.

ATENÇÃO! Antes de limpar o compartimento de detritos, certifique-se de que o robô está **desligado**.

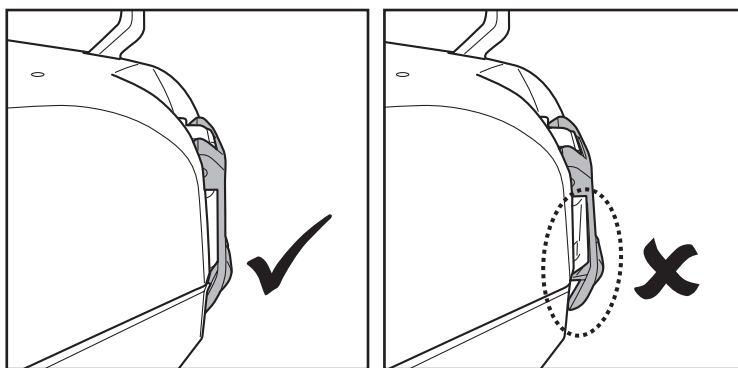
1. Coloque o produto de limpeza numa superfície plana e resistente. Abra os cliques laterais para libertar a tampa superior da base. Remova a tampa superior da base para expor a tampa do filtro.



2. Retire a tampa do filtro e retire os detritos do compartimento. Recomenda-se limpar a rede de cobertura do filtro com salpicos de água. Se a escovagem for considerada necessária, use apenas uma escova macia para limpá-la cuidadosa e suavemente para evitar danos.

3. Após a limpeza, certifique-se de que a tampa do filtro está no lugar e inverta os passos acima para realinhar a tampa superior à base. Pressione os cliques de ambos os lados até que estejam presos à base. Um som de “clique” confirmará que a tampa superior está fixada à base.

DICAS: Antes de reimplantar o robô na piscina, certifique-se de que a tampa superior está presa à base.

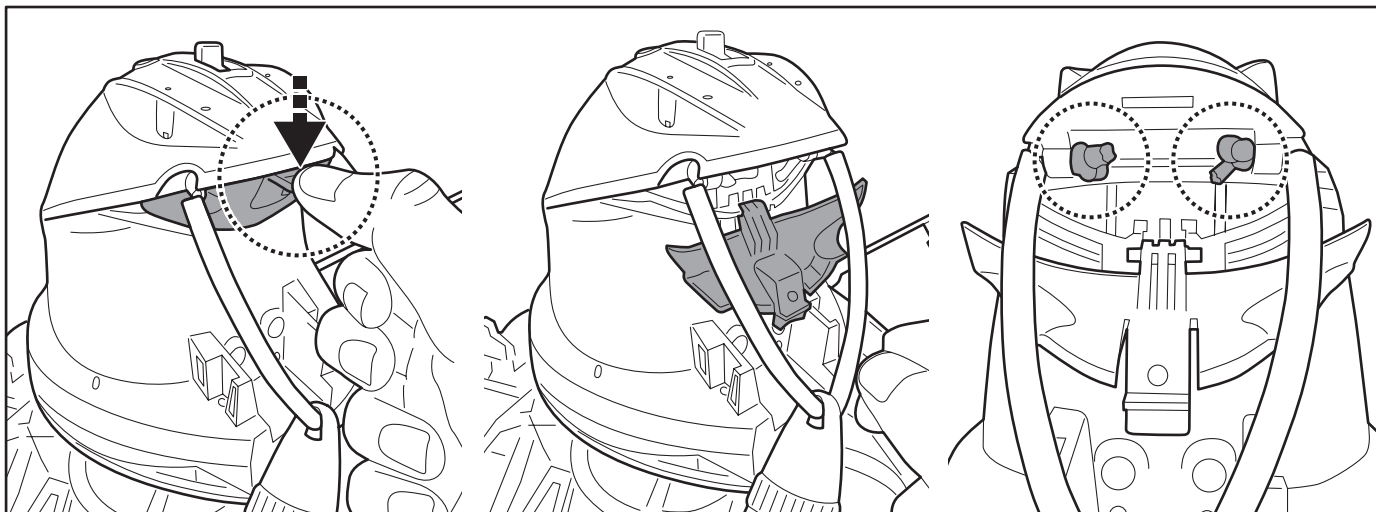


ATENÇÃO!

- Substitua uma tampa de filtro danificada imediatamente por uma nova antes da próxima operação.
- Substitua um kit de recuperação danificado imediatamente por um novo antes da próxima operação.
- Substitua uma aba danificada imediatamente por uma nova antes da próxima operação.

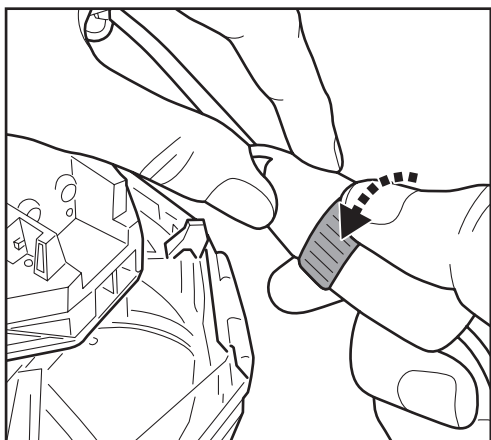
Substituição do circuito de elevação

Pressione a aba para liberar a capa. Corte o loop e substitua-o por um novo. Certifique-se de que ambas as extremidades do novo loop estão presas por um nó.

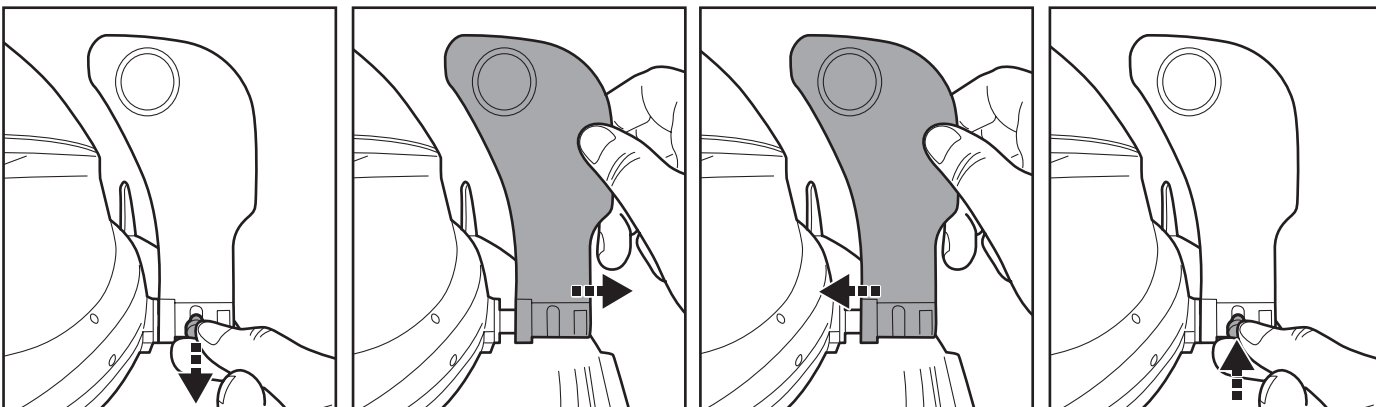


Substituição do kit de recuperação

Localize o conector de parafuso no circuito de elevação. Segure sua extremidade que está no loop e desaperte o anel rosado como mostrado para liberar a conexão. Repita as etapas para instalar um novo kit de recuperação.



Substituição de retalhos



MANUTENÇÃO & ARMAZENAMENTO

OBSERVAÇÃO:

- 1) Certifique-se de limpar e secar as áreas ao redor da porta de carregamento e sensores de água após cada uso para evitar a formação de manchas (subproduto de uma reação química natural entre corrente elétrica e água). Caso contrário, as manchas podem ser removidas esfregando levemente com um cotonete embebido com suco de limão ou vinagre.
- 2) A bateria descarrega por conta própria durante o armazenamento. Certifique-se de que carrega totalmente o robô antes do armazenamento.
- 3) Você deve recarregar a bateria pelo menos uma vez a cada três meses quando ela não estiver em uso.
 - Desconecte o adaptador externo da tomada e o conector de carregamento do robô.
 - Separe os acessórios do robô. Se necessário, lave o robô e os acessórios com água fresca. **NÃO** utilize detergente.
 - Certifique-se de drenar a água do robô antes do armazenamento.
 - Use um pano húmido para limpar e secar o robô e os seus acessórios.
 - Guarde-os numa área bem ventilada, longe da luz solar, calor, fontes de ignição, produtos químicos da piscina e de crianças. A temperatura ambiente para armazenamento deve ser de 10°C – 25°C (50°F – 77°F). **NOTA:** Uma temperatura de armazenamento mais elevada pode reduzir a vida útil da bateria.

ATENÇÃO! Em nenhuma circunstância deve desmontar a cabeça giratória para substituir os seus componentes internos por si mesmo. Fazê-lo anularia a garantia, expor-se-ia a potenciais perigos e, possivelmente, danificaria o dispositivo e outras propriedades.

ATENÇÃO!

- Como resultado, o calor excessivo pode danificar a bateria e, conseqüentemente, reduzir a vida útil do seu robô.
- Consulte o seu concessionário sobre a substituição da bateria se ocorrer o seguinte:
 - A bateria não carrega totalmente.
 - O tempo de funcionamento da bateria é visivelmente reduzido. Observe e registre os tempos de execução das primeiras operações (com uma carga completa). Use esses tempos de execução como um ponto de referência para comparação com os tempos de execução no futuro.
- A bateria deve ser removida do robô antes de ser descartada.
- O robô deve ser desligado da rede de alimentação quando a bateria estiver a ser removida.
- A bateria deve ser eliminada de forma segura, de acordo com as leis ou regulamentos locais.

NOTA: Uma manutenção incorreta pode reduzir a vida útil da bateria e, como resultado, afetar a sua capacidade.

ELIMINAÇÃO DE BATERIAS (A realizar por um técnico autorizado)

O seu robô está equipado com uma bateria de íões de lítio recarregável gratuita de manutenção, que deve ser eliminada corretamente. A reciclagem é necessária; Contacte a sua autoridade local para obter mais informações.

ATENÇÃO! Nunca tente desmontar uma bateria.

- Remova todos os itens pessoais, como anéis, pulseiras, colares e relógios quando a bateria estiver desligada do robô.
- Uma bateria pode produzir uma corrente de curto-circuito alta o suficiente para soldar um anel (ou item semelhante) ao metal, causando uma queimadura grave no processo.
- Use proteção ocular completa, luvas e vestuário de proteção quando a bateria estiver a ser removida.
- Evite tocar completamente nos fios e evite o contacto entre eles e quaisquer itens de metal, o que poderia causar faíscas e/ou curto-circuito na bateria.
- Nunca fume ou permita uma faísca ou chama nas proximidades da bateria ou do robô.
- Não exponha a bateria ao fogo ou ao calor intenso, pois isso pode resultar em uma explosão.

ATENÇÃO!

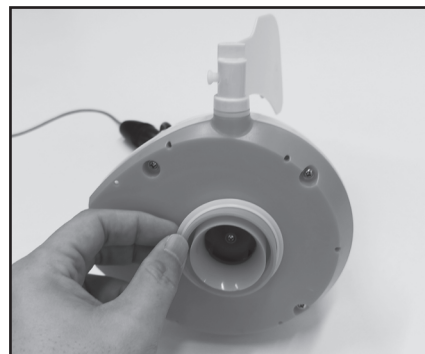
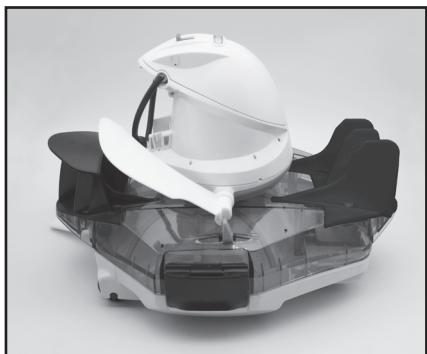
Se ocorrer uma fuga da bateria, evite qualquer contacto com os fluidos com fugas e coloque a bateria danificada num saco de plástico.

- Se houver fugas de líquidos em contacto com a pele e a roupa, lave imediatamente com bastante água e sabão.
- Se houver fugas de líquido em contacto com os olhos, não esfregue os olhos, lave imediatamente os olhos com água corrente fresca durante pelo menos 15 minutos e não os esfregue. Procure atendimento médico o mais rápido possível.

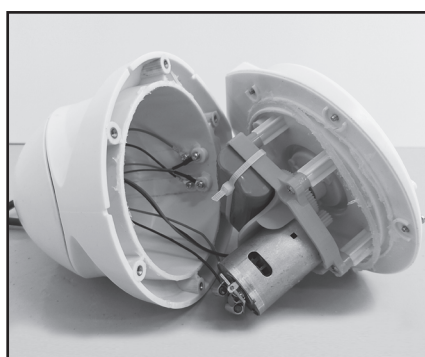
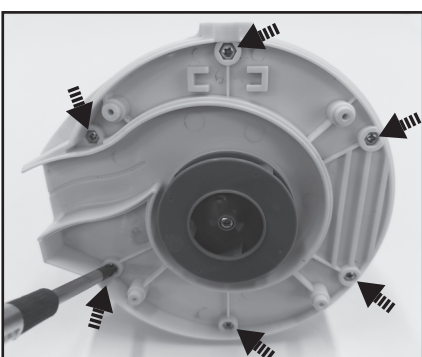
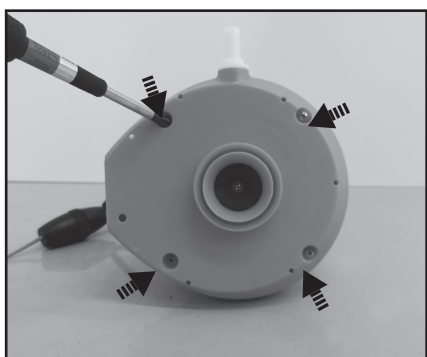
Como remover a bateria para eliminação da bateria (A ser feito por técnico autorizado)

Ferramentas recomendadas (não incluídas): Chave de fenda.

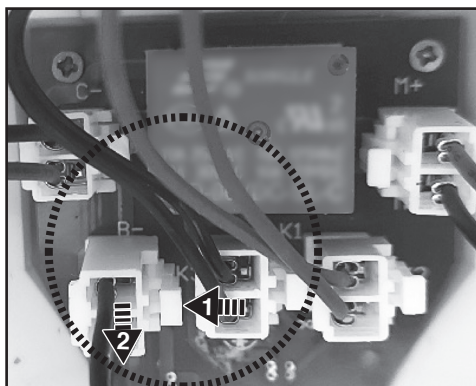
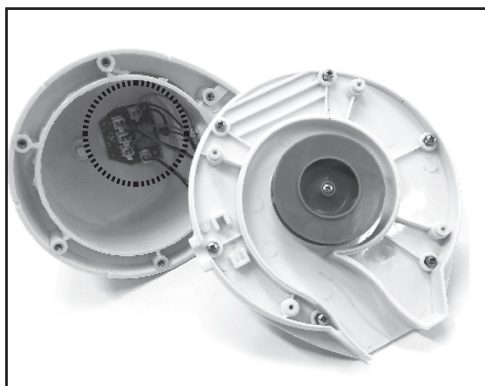
- 1) Siga a secção **“ESVAZIAR O COMPARTIMENTO DOS DETRITOS”** PARA LIBERTAR A TAMPA SUPERIOR (PRÉ-MONTADA COM A CABEÇA GIRATÓRIA). Rode a placa de bloqueio inferior no sentido contrário ao dos ponteiros do relógio para libertar a cabeça giratória. Remova o anel de alisamento giratório.



- 2) Use a chave de fenda para desenroscar os 4 parafusos localizados na parte inferior da cabeça para liberar a placa inferior primeiro. Em seguida, desenrosque todos os parafusos na base, conforme mostrado. Abra a base para expor a cabeça para dentro.

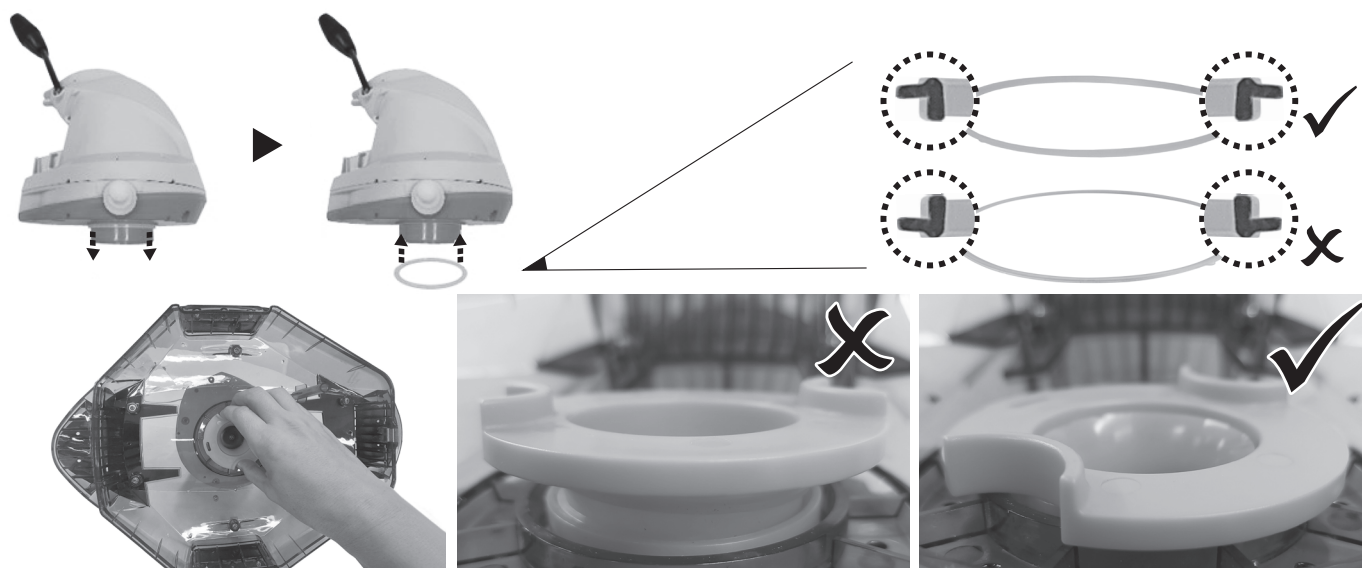


- 3) Remova a bateria para expor o PCBA. Para separar o fio de conexão da bateria, pressione o clipe do conector para retirá-lo. NOTA: Envolve o conector imediatamente com fita isolante para evitar qualquer curto-circuito causado pelo contato de ambos os terminais de fio.



SOLUÇÃO DE PROBLEMAS

Problema	Possível causa	Solução
Robô não começa a trabalhar debaixo de água	Sensores de água manchada	Use um cotonete embebido com suco de limão ou vinagre para limpar e remover as manchas.
Robô não captura os detritos	A bateria está acabando	Carregue o robô novamente.
	O impulsor está atolado	Desligue o robô e inspecione o orifício sob a cabeça giratória para ver se o impulsor está atolado por grandes detritos. Se necessário, contacte o seu concessionário para obter mais instruções. ATENÇÃO! Certifique-se de que o robô está desligado antes da manutenção da unidade.
	A boca de sucção está entupida	Remova os objetos entupidos da boca de sucção.
	O impulsor está quebrado	Contacte o seu concessionário para obter a substituição.
	O compartimento de detritos está cheio	Limpe o compartimento de detritos e a tampa do filtro.
Robô parou de se mover no meio da piscina, mas cabeça giratória ainda está girando	Robô parado por obstáculo ou grandes vincos no forro da piscina	Verifique se há algo obstruindo o produto de limpeza. Remova o obstáculo.
	Robô é prejudicado por sucção do dreno principal do piso da piscina	Desligue o sistema de filtração de acordo com as instruções do manual.
A cabeça giratória gira repetidamente	Ar preso dentro do robô	Submerja o robô enquanto ele ainda está desligado na piscina e agite-o suavemente algumas vezes para facilitar a descarga de ar antes de ligá-lo (enquanto o robô ainda está submerso). A cabeça giratória pode girar repetidamente por um curto período de tempo, uma vez que o robô afunda no fundo da piscina. Este fenómeno irá parar assim que o ar retido no interior do robô for descarregado e o robô começar a mover-se regularmente.
O robô não cobre a seringa piscina inteira	O compartimento de detritos está cheio	Limpe o compartimento de detritos.
	O tempo de operação é menor como esperado	Limpe o compartimento do filtro e recarregue o robô durante 6 horas.
	A direção de movimento é interrompida pela circulação de água gerada pelo sistema de filtração	Desligue o sistema de filtração (conforme indicado no manual de filtração) pelo menos 15 minutos antes do funcionamento do robô.
	Roda está atolada	Verifique e remova os detritos da roda.
	A posição da roda dianteira não está ajustada corretamente	Siga as instruções para ajustar a posição da roda dianteira.
	Algas tornam o chão da piscina escorregadia que resulta na robô andando em círculos	Esfregue o fundo da piscina e as rodas do robô para remover as algas.
O robô move-se ao longo do parede da piscina	A posição da roda dianteira não está ajustada corretamente / a direção de orientação do robô está errada no início	Siga as instruções para ajustar a configuração da roda dianteira. Certifique-se de que a frente/trás do robô esteja voltada para a parede da piscina no início.
Robô se move lentamente ou faz não se mexe de todo	O compartimento dos detritos está cheio ou a tampa do filtro está entupida	Limpe o compartimento de detritos. Lave a tela com água para remover pequenas partículas. Se a escovagem for considerada necessária, use uma escova macia para limpar a tela suavemente. Nota: certifique-se de que a tampa do filtro está no lugar antes da próxima operação.
	A boca de sucção está entupida	Remova os objetos entupidos da boca de sucção.
	O impulsor está atolado	Desligue o robô e inspecione o orifício sob a cabeça giratória para ver se o impulsor está atolado por grandes detritos. Se necessário, contacte o seu concessionário para obter mais instruções. ATENÇÃO! Certifique-se de que o robô está desligado antes da manutenção da unidade.
A cabeça giratória não gira ou Vire visivelmente devagar	A aba lateral não surge	Verifique e remova quaisquer detritos que dificultem o movimento da aba. Desligue a filtração da piscina para evitar que o movimento da aba lateral seja perturbado pela circulação de água.
	O fundo da cabeça giratória está atolado	Separe a cabeça giratória e o anel de alisamento de acordo com as instruções da secção "Como remover a bateria" do manual e, em seguida: - Remova os detritos presos. - Inspeccione o anel de alisamento quanto a possíveis danos e desgaste. Substitua por um novo, se necessário. - Verifique se o anel de alisamento e a placa inferior estão instalados corretamente. (ver diagramas abaixo)



Problema	Possível Causa	Solução
Detritos escapam do robô	A aba da boca de sucção (no fundo mais limpo) está danificada	A aba da boca de sucção funciona como uma porta para evitar que os detritos escapem do compartimento de detritos. Entre em contato com o revendedor para obter peças de reposição e instruções.
	Detritos entupidos na sucção boca e previne o retalho para fechar	Remova os detritos entupidos da boca de sucção.
Detritos vazam para fora na tampa do filtro	A rede da tampa do filtro está danificada	Substitua por uma nova tampa de filtro do seu revendedor.
Pias de flutuação redondas	Flutuador e água danificados fugas	Substitua por um novo flutuador do seu concessionário.
O cordão de recuperação está dobrado	O comprimento do cordão de recuperação é demasiado longo	Ajuste o comprimento de acordo com as instruções do manual.
Duração do ciclo de limpeza é mais curto do que o anunciado	A bateria não está totalmente carregada	Carregue o robô durante pelo menos 6 horas. NOTA: se forem encontradas manchas nas almofadas de carregamento, remova-as utilizando um cotonete embebido em sumo de limão ou vinagre.
O robô não pode ser carregado/recarregado	A bateria está danificada	Entre em contato com o revendedor para a substituição da bateria. ATENÇÃO! NÃO substitua a bateria sozinho. Isso pode resultar em ferimentos graves ou fatais e a garantia será anulada como resultado.
	O conector de carregamento não está completamente conectado com o robô	Certifique-se de que o conector de carregamento está ligado ao robô de forma correta e completa. Consulte o manual de instruções.
	Adaptador externo está fora de ordem	Entre em contato com o revendedor para substituição. ATENÇÃO! Usar o adaptador externo errado resultará em danificar o robô / bateria e anular a garantia como resultado.
Programas Ambientais, Diretiva Europeia WEEE		
	Respeite os regulamentos da União Europeia e ajude a proteger o ambiente. Devolva equipamento elétrico avariado a uma unidade indicada pelo seu município que recicle adequadamente equipamento elétrico e eletrónico. Não elimine o equipamento em caixotes de lixo comuns. Para itens que contenham baterias removíveis, remova as baterias antes de eliminar o produto.	
	Todos direitos reservados. Não papel de esse documento poderia ser reproduzido ou transmitido em qualquer forma ou por qualquer meio, eletrônico, mecânico, fotocópia, gravação ou outro, sem autorização prévia por escrito da Kokido Desenvolvimento Ltda. (L-25010013)	

Se macio cópia de esse instrução manual é obrigatório, por favor contato nosso cliente serviço por e-mail: customerservice@kokido.com

SALVAR ESSES INSTRUÇÕES


Precisazione: A seconda del modello che possiedi, gli accessori/parti mostrati in questo manuale non sono necessariamente inclusi in ogni modello. Il prodotto/le parti in foto/disegni possono variare a seconda del modello acquistato. Controlla il disegno delle parti di ricambio per capire le parti incluse nel tuo modello acquistato.

AVVERTENZE DI SICUREZZA & ISTRUZIONI

Le informazioni contenute in questo Manuale di Istruzioni vi aiuteranno a far funzionare l'oggetto in sicurezza, a proteggere voi stessi e gli altri da pericoli e a prevenire danni al dispositivo e ad altri beni.

CONSERVARE LE PRESENTI ISTRUZIONI

ATTENZIONE!

- Questo non è un GIOCATTOLO. Tenere lontano dalla portata dei bambini questo robot e i suoi accessori.
- NON permettere mai ai bambini di mettere in funzionamento il prodotto.
- Il presente apparecchio non deve essere utilizzato da persone con ridotte capacità fisiche, sensoriali o mentali o se privi di esperienza e conoscenza, salvo siano soggetti a supervisione o se gli sono state fornite istruzioni inerenti all'uso dell'apparecchio da parte di un responsabile incaricato della loro sicurezza.
- NON è consentito ai minori di giocare con questo prodotto.
- NON è consentita ai minori la manutenzione e la pulizia del robot.
- Accertarsi che il robot sia completamente immerso nell'acqua prima di metterlo in funzione. Il livello di acqua minimo richiesto per il funzionamento del robot deve superare la sua testina girevole del robot. L'uso del robot quando non è immerso nell'acqua correttamente potrebbe danneggiare l'unità e rendere nulla la garanzia.
- La profondità massima di funzionamento in acqua è di 3 metri (9.8 piedi).
- Temperatura dell'acqua di funzionamento: da 5°C (41°F) a 35°C (95°F).
-  Unità di alimentazione rimovibile (adattatore esterno).
- Il robot deve essere caricato solo con l'adattatore esterno (già collegato al connettore di ricarica) fornito con questo prodotto.
- Collegare l'adattatore esterno a una presa elettrica tramite il dispositivo di alimentazione domestica (RCD) / un interruttore di messa a terra (GFCI). In caso di dubbi, consultare un elettricista professionista qualificato.
- NON usare il robot se si rileva qualche danno.
- Sostituire le parte danneggiate con altre dotate dell'apposita certificazione che è stata fornita dal distributore o fabbricante.

- Scollegare il robot dall'alimentatore e accertarsi che il robot sia SPENTO prima di eseguire la manutenzione regolare come la pulizia del filtro, dell'anello levigante girevole, delle aree vicine ai sensori ad acqua e dei porti di ricarica.
- NON cercare di sostituire la batteria ricaricabile agli ioni di litio preinstallata.
- NON maneggiare il robot, l' adattatore esterno e la connettore di ricarica mentre è in carica con arti bagnati e senza scarpe.
- Assicurarci che i bambini non tentino di accedere all'robot durante il suo funzionamento.
- Non è consigliabile entrare in piscina quando il robot è in funzione per evitare danni al robot.
- NON usare il robot in assenza di filtro installato, in quanto la garanzia si annullerebbe.
- Pericolo di intrappolamento da aspirazione: Questo robot genera aspirazione. Impedire che i capelli, il corpo o qualsiasi lembo dei vostri indumenti possa trovarsi a contatto con il foro di aspirazione del robot durante il suo funzionamento.
- NON inserire mai parti del corpo, indumenti e altri oggetti nelle aperture e nelle parti mobili del robot.
- NON utilizzare questo robot per raccogliere sostanze tossiche, infiammabili e liquidi combustibili (ad es. Benzina) in presenza di fumi esplosivi o infiammabili.
- NON provare in nessun caso a smontare il robot né a sostituire la testa girevole per sostituire i componenti interni. Una simile azione renderebbe nulla la garanzia, esponendo l'utente a rischi potenziali e possibili danni al dispositivo e ad altri beni.
- NON inserire mai le dita né altri oggetti per toccare la ventola.
- La batteria integrata deve essere rimossa da un tecnico qualificato prima di essere scaricata.
- Quest' robot contiene una batteria che dev'essere rimossa soltanto da personale qualificato.
- L' robot deve essere disconnesso dall'alimentazione principale quando la batteria viene rimossa.
- Per i dettagli relativi al riciclaggio / smaltimento della batteria, consultare la sezione "SMALTIMENTO DELLA BATTERIA" in questo manuale e contattare le autorità locali per ulteriori informazioni.
- La batteria dev'essere smaltita in modo sicuro, secondo quanto stabilito dalle ordinanze e i regolamenti locali.
- Adattatore esterno e connettore di ricarica:
 - NON usare mai l'adattatore esterno e la connettore di ricarica per uso diverso

dalla ricarica della batteria del robot fornita nella stessa confezione.

- L'adattatore esterno e la connettore di ricarica non devono essere usati all'aperto né esposti a pioggia, umidità, qualsiasi tipo di liquido o calore.
- Il trasformatore (o adattatore esterno) dev'essere collocato fuori dalla zona 1.
- Mantenere l'adattatore esterno e la connettore di ricarica fuori dalla portata dei bambini.
- NON usare mai l'adattatore esterno e la connettore di ricarica se si rileva qualsiasi tipo di danno.
- NON manipolare l'adattatore esterno e la connettore di ricarica con le mani bagnate.
- Mantenere l'adattatore esterno scollegato dall'alimentazione quando non è in uso.
- Non tentare mai di aprire l'adattatore esterno e il connettore di ricarica.
- Se il cavo di alimentazione è danneggiato, dev'essere sostituito dal fabbricante, dal suo distributore o da un soggetto ugualmente qualificato, allo scopo di prevenire pericoli di qualsiasi tipo.
- Accertarsi che il robot sia completamente asciutto prima della ricarica.

ATTENZIONE!

- Questo robot è disegnato solo per l'uso sott'acqua; non è un aspirapolvere adatto a tutti gli usi. NON cercare di usarlo per pulire elementi diversi dalla piscina.
- Usare gli accessori originali consegnati con questo prodotto.
- NON usare il robot subito dopo un trattamento shock in piscina. Si raccomanda di lasciare la piscina in circolazione per almeno 24-48 ore.
- Se usi una piscina con acqua salata, accertati che tutto il sale si sia dissolto prima di collocare il robot nell'acqua.
- NON è raccomandato l'uso del robot contemporaneamente a un altro pulitore automatico/pulitore.
- Evitare di aspirare oggetti taglienti con questo prodotto. Essi possono danneggiare il robot e il filtro.
- Per evitare danni all'adattatore esterno e alla connettore di ricarica non trasportare il robot dal cavo dell'adattatore esterno connettore di ricarica né tirare la corda per disconnetterlo dalla fonte di alimentazione e dalla connettore di ricarica.
- Caricare il robot all'interno in una zona pulita, asciutta con buona ventilazione e lontana dalla luce del sole.
- NON lasciare il robot in carica per oltre 10 ore.
- Se il robot non viene usato per un lungo periodo, disconnetterlo dalla connettore di ricarica e usare un panno umido per pulirlo e asciugarlo, così come i suoi accessori. Accertarsi di portare la capacità della batteria del robot tra il 30% e il 50% prima di conservarlo. Conservarlo in un luogo ben ventilato lontano dalla luce del sole, dal calore, da fonti di calore, prodotti chimici per piscina e bambini. Ricaricare il robot ogni tre mesi.
- Tutte le azioni relative allo smontaggio del gruppo rotante (ad es., smaltimento della batteria) possono essere eseguite soltanto da un tecnico autorizzato.

Le avvertenze e precauzioni che precedono non sono intese a comprendere tutti i possibili rischi e/o lesioni. I proprietari di piscine/spa dovranno avere una speciale attenzione e usare il buon senso comune durante l'uso del prodotto.

COME FUNZIONA IL ROBOT

Il robot è dotato di un ugello di propulsione dell'acqua sulla parte inferiore della testina girevole. L'acqua viene prima aspirata verso l'interno dalla bocca di aspirazione collocata sulla parte inferiore del robot, passa attraverso il filtro e viene quindi scari- cata dall'ugello di propulsione. Il getto d'acqua spinge il robot in avanti. Quando il robot si ferma contro un ostacolo come la parete delle piscina, la linguetta laterale ruota e la testina girevole ruota di 180°. Il robot inizierà a muoversi nella direzione opposta. Il robot si muove in uno schema generale rettilineo e curvilineo nell'altra direzione. Durante il movimento, la parte inferiore del robot di aspirazione cattura i detriti nel filtro.

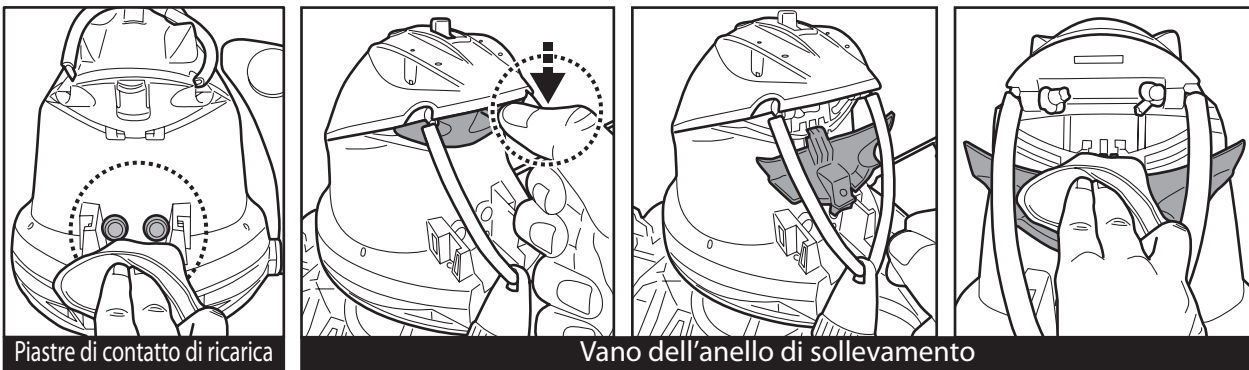
GUIDA INTRODUTTIVA

Ricarica della batteria

NOTA IMPORTANTE: Caricare completamente il robot (circa 6 ore) prima di usarlo per la prima volta.

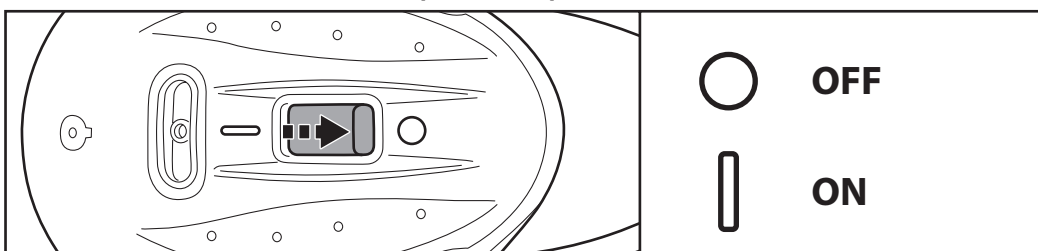
AVVERTENZA!

- Usare soltanto l'adattatore esterno originale e la connettore di ricarica fornito.
- Accertarsi che il robot (in particolare il vano dell'anello di sollevamento) e la porta di ricarica siano puliti e asciutti prima dell'installazione e della ricarica. (SUGGERIMENTI: Utilizzare un cotton fioc per asciugare la porta di ricarica e i piastre di contatto di ricarica).

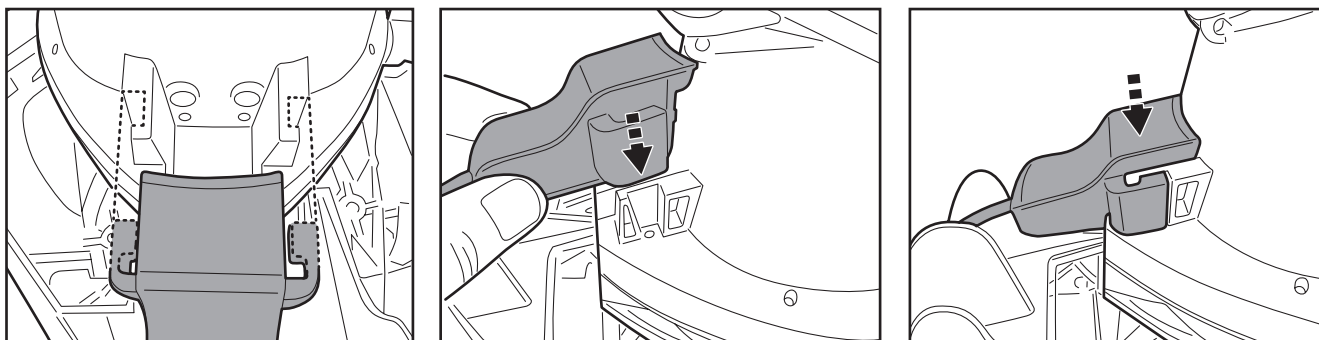


- I piastre di contatto di ricarica sono impermeabili. Tuttavia, i resti d'acqua nel porto e attorno ai piastre di contatto di ricarica potrebbero provocare la presenza naturale di macchie (un sottoprodotto della reazione chimica tra acqua e correnti elettriche). Altrimenti, le macchie possono essere rimosse strofinando leggermente con un batuffolo di cotone imbevuto di succo di limone o aceto.

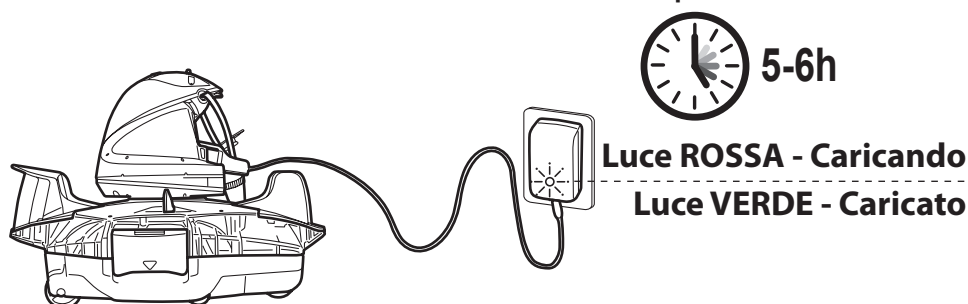
1. Collocare l'unità su una superficie piana. Scorrere l'interruttore sulla posizione **OFF**.



2. Allineare il connettore di ricarica alla porta di ricarica come mostrato. Premere il connettore di ricarica fino in fondo. **ATTENZIONE!** Assicurarsi che il connettore di ricarica e la porta di ricarica siano puliti e asciutti prima di caricarli. **SUGGERIMENTO:** utilizzare un cotton fioc per asciugare la porta e la piastrina di contatto di ricarica.



3. Collegare l'adattatore esterno alla fonte di alimentazione. L'indicatore luminoso sull'adattatore esterno diventa rosso una volta iniziata la ricarica. L'indicatore luminoso sull'adattatore esterno diventerà verde quando il robot è carico.



- Spegnere e disconnettere immediatamente l'adattatore esterno dalla fonte di alimentazione se si verifica una delle seguenti condizioni:
 - Odore sgradevole o insolito
 - Calore eccessivo
 - Deformazione, rotture, fughe
 - Fumo

4. Al termine della ricarica, scollegare l'adattatore esterno dalla fonte di alimentazione e scollegare il connettore di ricarica dall'unità.

Normalmente, il robot può funzionare fino a 45 minuti con una ricarica completa.

NOTA: pulire regolarmente il vano detriti. Detriti eccessivi all'interno del vano detriti aumentano il carico per il funzionamento del motore e di conseguenza riducono la durata operativa.

NOTA: La batteria ricaricabile agli ioni di litio è classificata come un materiale di consumo. Ha una vita limitata e perde gradualmente la propria capacità di ricarica. Per questo motivo, il tempo di funzionamento del robot si ridurrà gradualmente dopo una serie di processi di carica-scarica nel corso della vita del prodotto.

Una volta terminata la vita utile della batteria, leggere la sezione **"SMALTIMENTO DELLA BATTERIA"** per ottenere istruzioni per lo smaltimento della batteria e la sostituzione della testa rotante.

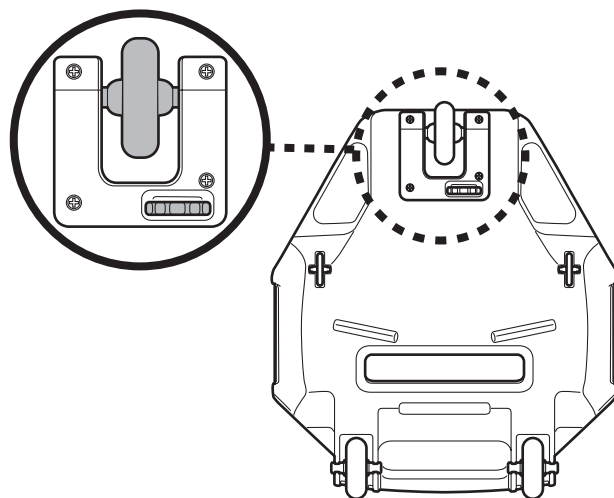
NOTA: Lasciare riposare il robot per 30-40 minuti prima di ricaricarlo nuovamente.

Configurazione prima dell'uso

Regolazione della traiettoria

La traiettoria del robot è determinata dalla posizione della ruota anteriore lungo il binario, che può essere regolata ruotando la manopola verso sinistra o verso destra.

Inizia con la ruota anteriore nella posizione suggerita. Se necessario, puoi provare un'altra posizione adatta alla tua piscina.



Posizione della ruota anteriore	Dimensioni/forma del piscina
	<p>>5.3ft (1.6m)</p>
	<p><4.9ft (1.5m)</p>

Preparazione della piscina

- Se ci sono pietre, radici o materiali soggetti a corrosione metallica a contatto con il fondo della piscina, eliminarli prima di usare il robot. Se necessario, richiedere l'aiuto di un professionista qualificato.
- Se il rivestimento è usurato, danneggiato o grinzoso, contattare un professionista qualificato per l'esecuzione delle riparazioni necessarie o procedere alla sostituzione del rivestimento prima di usare il robot.
- Spostare la scaletta della piscina, lo skimmer di superficie e altri oggetti galleggianti, in quanto possono ostruire il movimento di galleggiamento del robot e quindi anche i suoi robot.
- Se usi una piscina con acqua salata, accertati che tutto il sale si sia dissolto prima di collocare il robot nell'acqua.

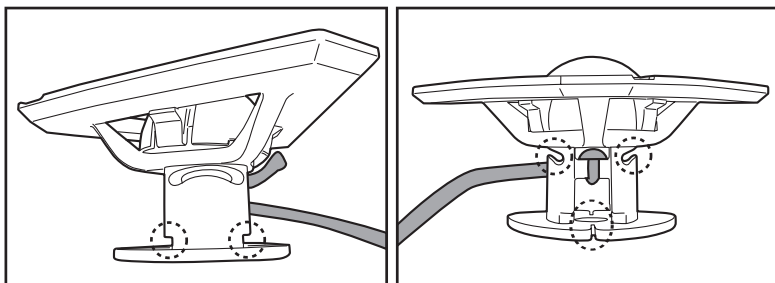
NOTA: Per ottenere i migliori risultati, si consiglia di spegnere la filtrazione prima di utilizzare il robot.

FUNZIONAMENTO

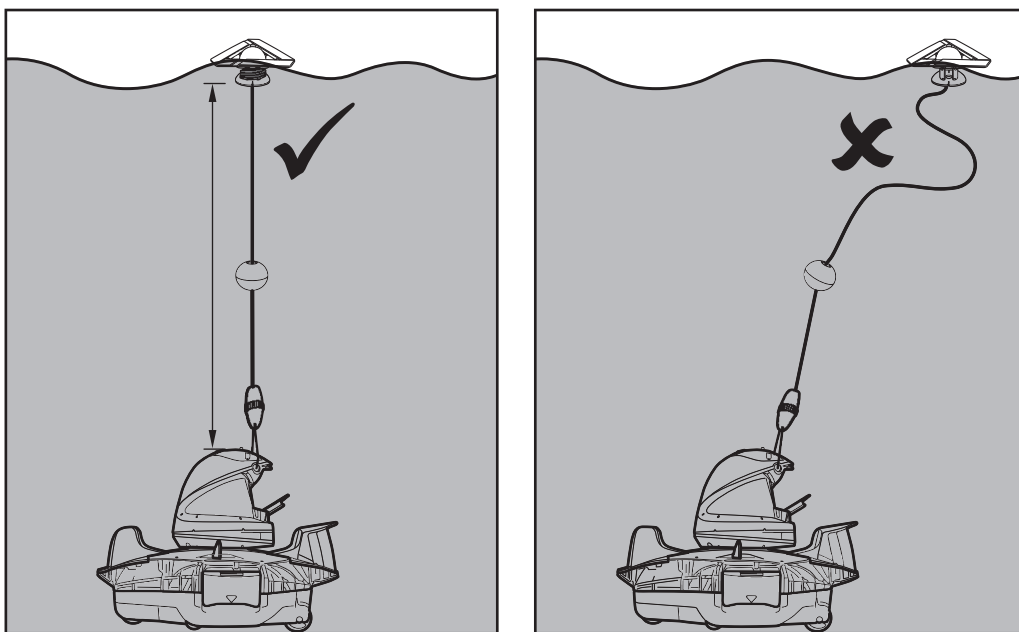
AVVERTENZA!

- Accertarsi previamente che il robot sia spento.
- Assicurati che il coperchio del vano del filtro sia al suo posto.
- Assicurarsi che il connettore di ricarica sia staccato prima di posizionare il robot nella piscina.

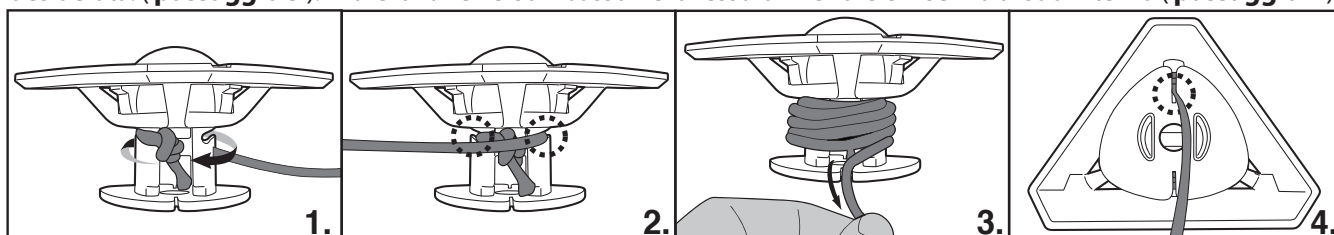
1. Portare il robot fino al bordo della piscina. NOTA: Usare esclusivamente il robot nelle parti laterali della piscina (non ad angolo piscina) e accertarsi che sia rivolto verso l'esterno mentre esegui il processo. Srotolare la fune di recupero (notare: ci sono due tacche laterali nella parte superiore nonché uno slot stretto nella parte inferiore).



La lunghezza corretta della fune deve essere equivalente alla distanza tra la parte superiore del robot e il livello dell'acqua. NOTA: Un esubero nella lunghezza potrebbe far affondare la fune e di conseguenza influire sulle prestazioni.

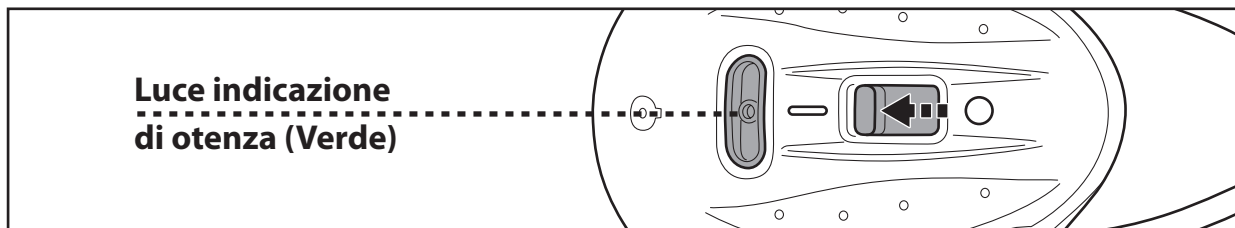


Per prima cosa allineare e fissare il cordino di recupero alle tacche laterali in alto e iniziare ad avvolgere il cordino intorno allo stelo in entrambe le direzioni. (**passo 1 & 2**). Continuare ad avvolgere il cordino fino a raggiungere la lunghezza desiderata. (**passaggio 3**). Tirare la fune verso il basso nella fessura inferiore e inserirla al suo interno (**passaggio 4**).



2. Dopo aver spento il robot, immergerlo nella piscina e agitarlo delicatamente un paio di volte, per facilitare lo scarico dell'aria. L'aria in eccesso che si intrappola nel corpo potrebbe causare un comportamento erratico della testa orientabile.

3. Spostare l'interruttore di accensione su "ON" (mentre il robot è ancora immerso) - la spia si accenderà e attiverà automaticamente il motore (il livello dell'acqua deve coprire i sensori sotto le piastrelle di contatto di ricarica sul retro della testa girevole). Lasciare che il robot si posizioni sul fondo della piscina e osservare i primi movimenti di inversione in avanti e indietro sul fondo della piscina. Se si sposta lungo il muro della piscina anziché perpendicolarmente, recuperare il robot e ridistribuirlo assicurandosi che la parte anteriore / posteriore sia rivolta verso il muro della piscina.



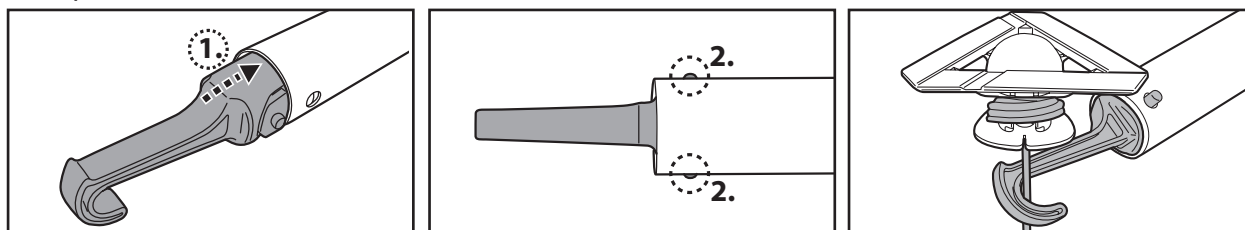
L'indicatore di potenza inizierà a lampeggiare quando il tempo residuo è inferiore a 5 - 10 minuti. Luce di indicazione di potenza:

- Nessuna luce - Alimentazione spenta / nessuna potenza
- Luce - Alimentazione accesa
- Luce lampeggiante - La carica della batteria sarà esaurita tra 5 - 10 minuti.

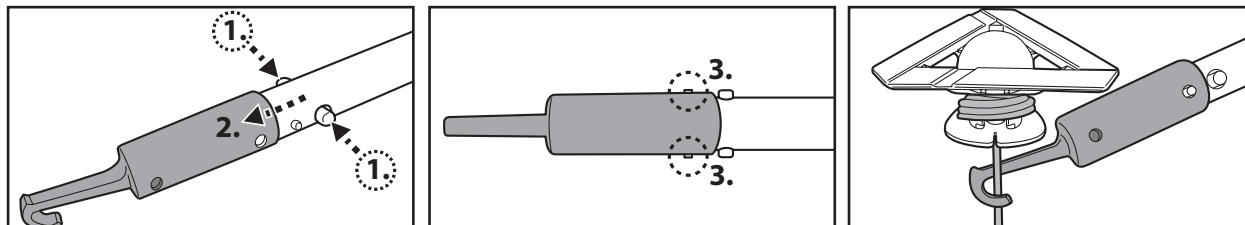
NOTA: Non cercare mai di far entrare in contatto i sensori dell'acqua con qualcosa che non sia acqua pulita.

4. Per recuperare il robot dalla piscina, collegare il gancio a un palo telescopico (non fornito) e utilizzarlo per recuperare il galleggiante, se non si riesce a recuperare con le mani.

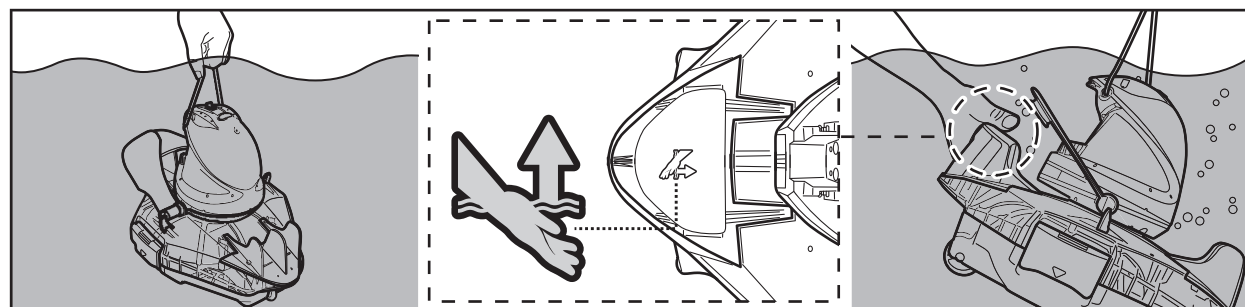
(solo per USA / EU)



(solo per Australia / Nuova Zelanda)



Non appena la mano raggiunge l'anello di sollevamento, afferrarlo per sollevare il robot sulla superficie dell'acqua e poi afferrare la pinna contrassegnata dal simbolo della mano (vedere il diagramma seguente) per facilitare il recupero dalla piscina. Afferrare sempre il robot da questa estremità per drenare l'acqua ed evitare che i detriti ricadano nella piscina durante il recupero.



5. Scorrere l'interruttore sulla posizione OFF. Risciacquare il robot con acqua fresca dopo ogni uso. NON usare detersivi.
6. Asciugare il porto di ricarica e i piastre di contatto di ricarica accuratamente (SUGGERIMENTI: Usare un cotton fioc per asciugarli).

NOTA: Per garantire una pulizia più efficiente, laddove la piscina sia molto sporca, si raccomanda di svuotare il filtro (all'interno del robot) dopo i primi 30 minuti di funzionamento o quando i movimenti del robot sono visibilmente rallentati. Quindi, collocare il robot (con il filtro già svuotato) di nuovo nella piscina e lasciarlo funzionare per il tempo residuo del ciclo.

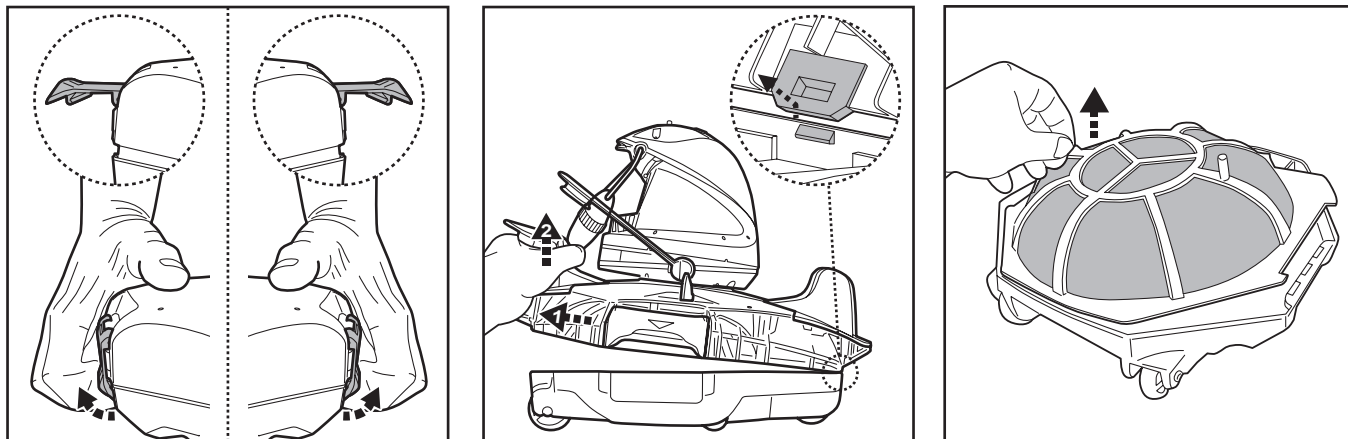
SVUOTAMENTO DEL FILTRO

AVVERTENZA! L'uso del robot senza il coperchio del vano del filtro renderà NULLA la garanzia.

Per migliorare l'efficienza della pulizia, pulire il filtro e il coperchio prima e dopo ogni uso.

PRECAUZIONE! Prima di pulire il compartimento dei detriti, accertarsi che il robot sia **SPENTO**.

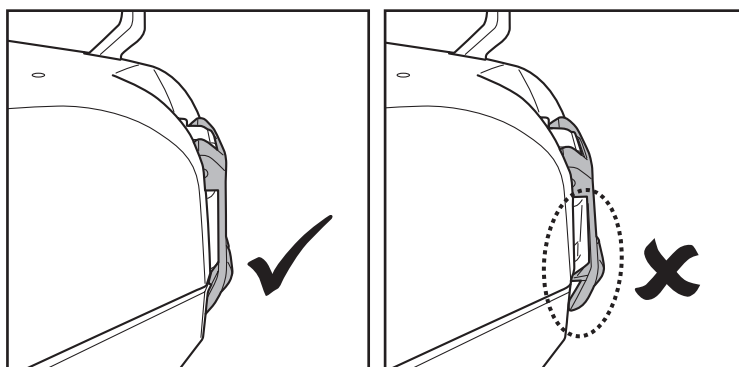
1. Posizionare il detergente su una superficie piana e robusta. Aprire le clip laterali per svincolare il coperchio superiore dalla base. Sfilare il coperchio superiore dalla base per esporre il coperchio del filtro.



2. Rimuovere il coperchio del filtro e rimuovere i detriti dal compartimento. Si raccomanda di pulire il coperchio del filtro con acqua corrente. Se è necessario spazzolare, utilizzare esclusivamente una spazzola morbida per pulirlo delicatamente evitando di danneggiarlo.

3. Dopo la pulizia, assicurarsi che il coperchio del filtro sia in posizione e invertire i passaggi precedenti per riallineare il coperchio superiore alla base.

Premere su entrambe le clip laterali fino a fissarle alla base. Un "clic" confermerà che il coperchio superiore è fissato alla base.



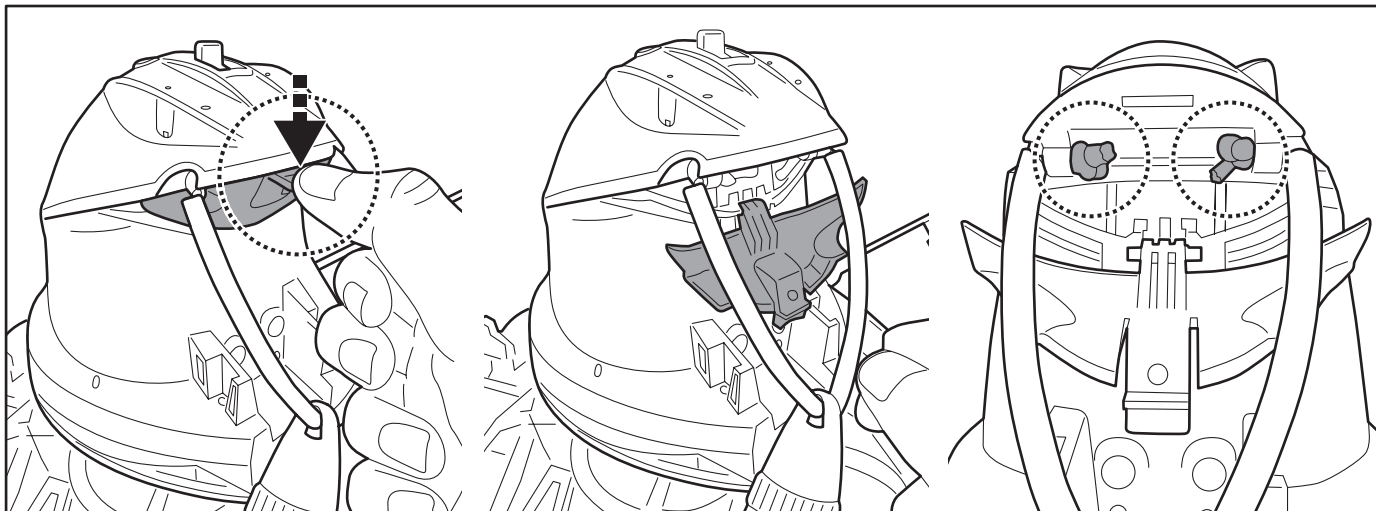
SUGGERIMENTI: Prima di riposizionare il robot nella piscina, assicurarsi così che la copertura superiore sia fissata alla base.

PRECAUZIONE!

- Sostituire il coperchio del filtro danneggiato con uno nuovo prima di iniziare l'operazione successiva.
- Sostituire immediatamente un kit di prelievo danneggiato con uno nuovo prima dell'operazione successiva.
- Sostituire il linguetta laterale danneggiato immediatamente e prima di iniziare l'operazione successiva.

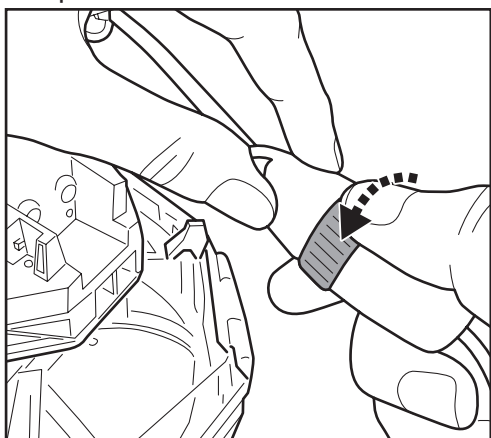
Sostituzione dell'anello di sollevamento

Premere sulla linguetta per sganciare il coperchio. Tagliare l'occhiello e sostituirlo con uno nuovo. Assicurarsi che entrambe le estremità del nuovo occhiello siano fissate con un nodo.

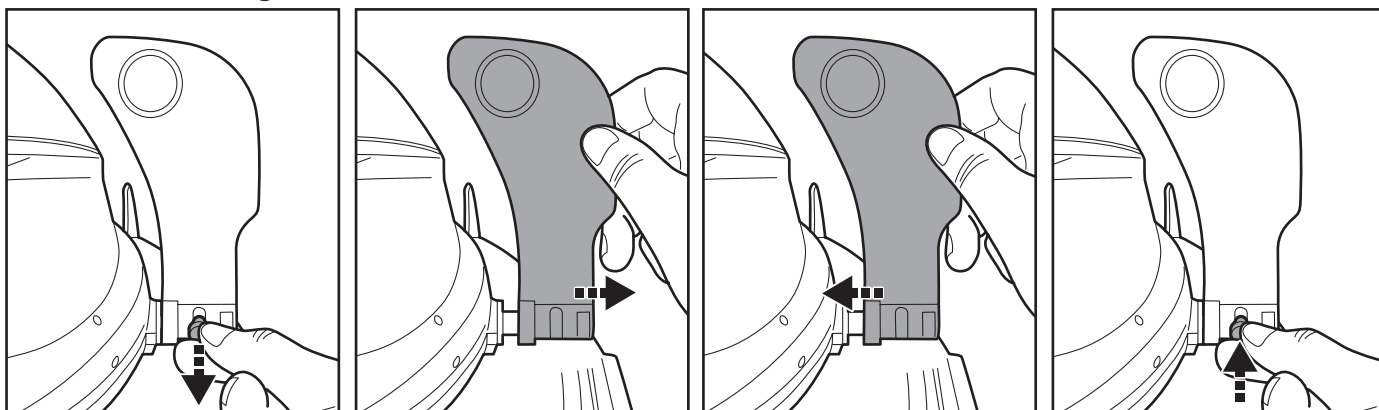


Sostituzione del kit di recupero

Individuare il connettore a vite sull'anello di sollevamento. Afferrare l'estremità che si trova sull'anello e allentare l'anello filettato come mostrato per rilasciare il collegamento. Ripetere le operazioni per installare un nuovo kit di recupero.



Sostituzione del linguetta laterale



MANUTENZIONE E STOCCAGGIO

NOTA:

- 1) Assicuratevi di aver pulito e asciugato le aree limitrofe alla porta di ricarica e ai sensori dell'acqua dopo ogni utilizzo per evitare la formazione di macchie (sottoprodotto di una reazione chimica naturale tra corrente elettrica e acqua). Diversamente, le macchie possono essere rimosse strofinando leggermente con un batuffolo di cotone imbevuto di succo di limone o aceto.
- 2) La batteria si scarica da sola durante lo stoccaggio. Accertarsi di portare la capacità della batteria del robot tra il 30% e il 50% prima di conservarlo.
- 3) È necessario ricaricare la batteria almeno una volta ogni tre mesi se non viene usata.
 - Scollegare l'adattatore esterno dalla presa e il connettore di ricarica dal robot.
 - Scollegare gli accessori dal robot. Se necessario, risciacquare il robot e gli accessori con acqua fresca. **NON** usare detersivi.
 - Accertarsi di drenare l'acqua dal robot prima di conservarlo.
 - Usare un panno umido per pulire e asciugare il robot e i suoi accessori.
 - Conservarlo in un luogo ben ventilato lontano dalla luce del sole, dal calore, da fonti di calore, prodotti chimici per piscina e bambini. La temperatura ambiente per la conservazione dev'essere compresa tra 10°C e 25°C (50°F – 77°F). **NOTA:** Una temperatura più alta di conservazione può ridurre la vita della batteria.

AVVERTENZA! Non provare in nessun caso a smontare il robot né a sostituire la testa girevole per sostituire i componenti interni. Una simile azione renderebbe nulla la garanzia, esponendo l'utente a rischi potenziali e possibili danni al dispositivo e ad altri beni.

PRECAUZIONE!

- Un calore eccessivo può danneggiare la batteria e ridurre, quindi, la vita utile del vostro robot.
- Consultare il proprio rivenditore per la sostituzione della batteria se si verifica una delle seguenti condizioni:
 - La batteria appare danneggiata o non si ricarica completamente.
 - Il tempo di funzionamento della batteria è notevolmente ridotto. Osservare e registrare i tempi di funzionamento delle prime attività (a ricarica completa). Usare questi tempi come punto di riferimento per compararli con i tempi di funzionamento di batterie più vecchie.
- La batteria dev'essere rimossa dal robot prima della sua rottamazione.
- Il robot dev'essere scollegato dall'alimentazione principale quando la batteria viene rimossa.
- La batteria dev'essere smaltita in modo sicuro, secondo quanto stabilito dalle ordinanze e dai regolamenti locali.

NOTA: Una manutenzione non corretta può ridurre la vita della batteria e incidere sulla sua capacità.

SMALTIMENTO DELLA BATTERIA (Da eseguirsi solo da parte di un tecnico autorizzato)

La batteria del tuo robot è priva di manutenzione, è una batteria agli ioni di litio ricaricabile e dev'essere adeguatamente smaltita. È necessario riciclarla; contattare le proprie autorità locali per maggiori informazioni.

AVVERTENZA! Non cercare mai di smontare una batteria.

- Rimuovere tutti gli oggetti personali come anelli, braccialetti, collane e orologi quando la batteria non è collegata al robot.
- Una batteria può provocare un corto circuito abbastanza potente simile al processo di saldatura di un anello (o oggetti simili) al metallo provocando ustioni gravi durante il processo.
- Indossare occhiali di protezione completi, guanti e indumenti di protezione quando si procede all'estrazione della batteria.
- Evitare di toccare tutto l'insieme dei cavi ed evitare di far sì che i medesimi facciano contatto con qualsiasi oggetto in metallo, in quanto ciò potrebbe provocare scintille e/o corto circuito della batteria.
- Non fumare ed evitare scintille o fiamme in prossimità della batteria o del robot.
- Non esporre la batteria al fuoco o a calore intenso in quanto ciò potrebbe provocare un'esplosione.

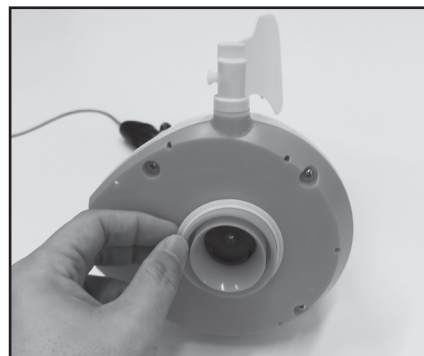
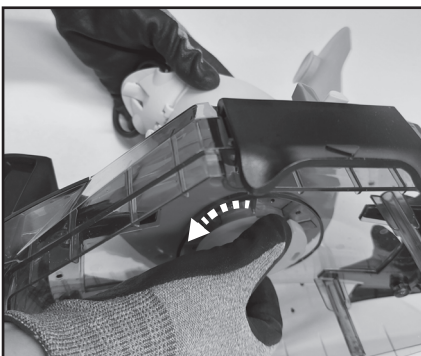
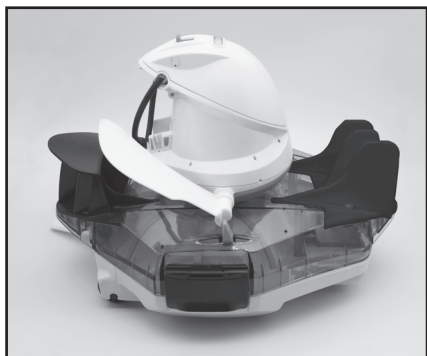
PRECAUZIONE!

- Se si verifica una fuga dalla batteria, evitare il contatto con i fluidi di fuga e collocare la batteria danneggiata in una busta di plastica.
- Se i fluidi entrano in contatto con la pelle o gli indumenti, lavare immediatamente con sapone e acqua abbondanti.
 - Se i fluidi entrano in contatto con gli occhi, non sfregarli, sciacquarli immediatamente con acqua fredda corrente per almeno 15 minuti e non strofinarli. Rivolgersi a un medico il prima possibile.

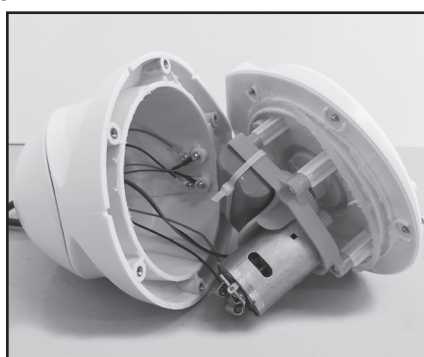
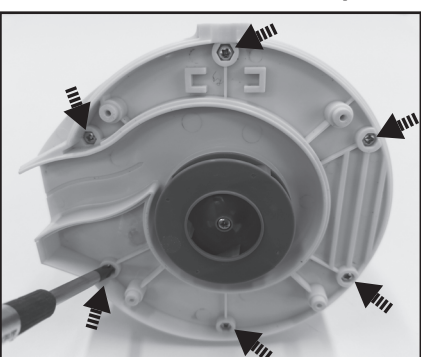
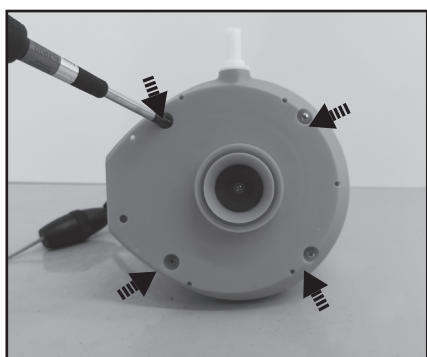
Come rimuovere il pack batteria solo per lo smaltimento della batteria (Da eseguirsi solo da parte di un tecnico autorizzato)

Strumenti raccomandati (non inclusi): Cacciavite.

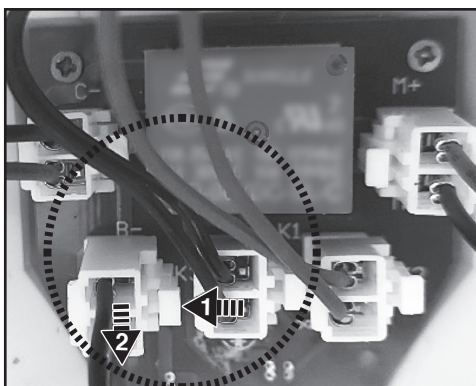
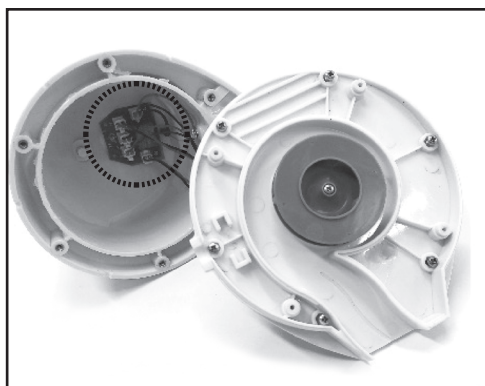
- 1) Seguire la sezione **“SVUOTAMENTO DEL FILTRO”** per liberare il coperchio superiore (pre-assemblato con la testina girevole). Ruotare la piastra di bloccaggio inferiore in senso antiorario per rilasciare la testa orientabile. Rimuovere l'anello levigante girevole.



2. Usare il cacciavite per svitare le 4 viti collocate nella parte inferiore della testina per rilasciare il piatto inferiore. Usare il cacciavite per svitare tutte le viti presenti sulla base, come. Sollevare la base e rimuoverla per esporre la testina all'interno.

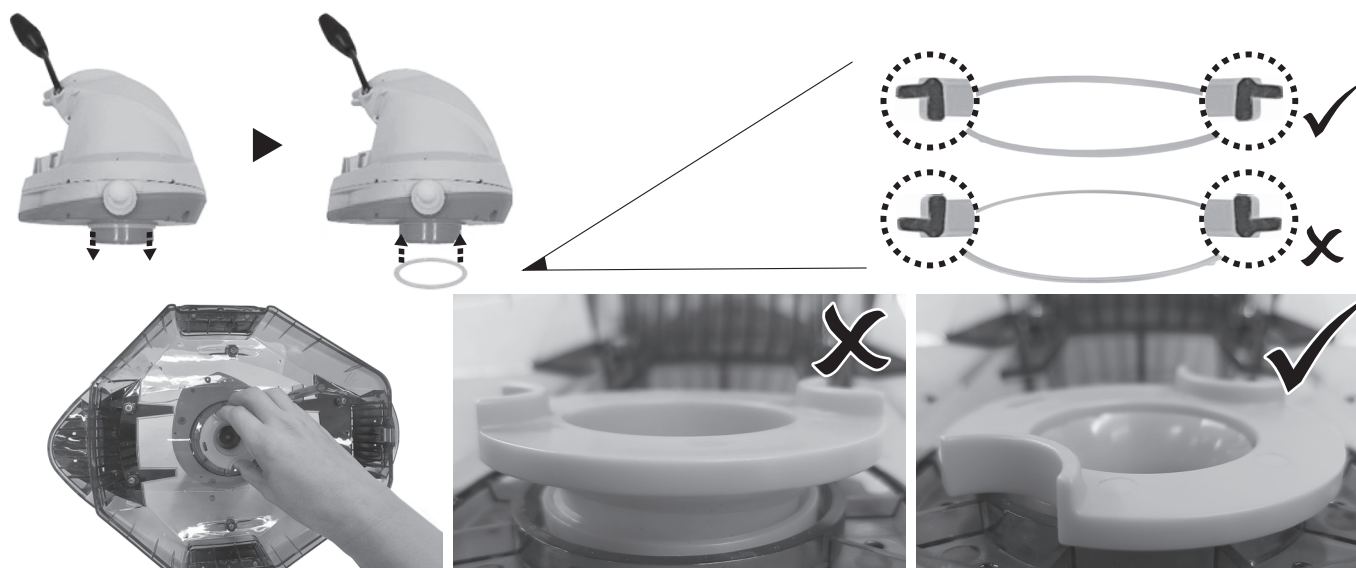


3. Estrarre la batteria per esporre il PCBA. Per estrarre il cavo di connessione della batteria, premere il gancio sul connettore ed estrarlo. **NOTA:** Avvolgere immediatamente il connettore con nastro isolante per evitare corto circuiti provocati dal contatto d'interno tra i terminali dei cavi.



RISOLUZIONE DEI PROBLEMI

Problema	Possibile causa	Soluzione
Il robot non è operativo sott'acqua	Sensori di acqua macchiata	Usa un batuffolo di cotone imbevuto di succo di limone o aceto per pulire e rimuovere le macchie.
Il robot non cattura i detriti	La batteria è esaurita	Ricaricare di nuovo il robot.
	La ventola è bloccata	Spegnere il robot ed esaminare dal foro intermedio dell'aspiratore elettrico per vedere se la ventola è bloccata da detriti più grandi. Se necessario, contattare il proprio rivenditore per ulteriori istruzioni. AVVERTENZA! Accertarsi che il robot sia spento prima mettere in servizio l'unità.
	La bocca di aspirazione è ostruita	Rimuovere gli oggetti ostruiti dalla bocca di aspirazione.
	La ventola è rotta	Contattare il proprio rivenditore per i pezzi di ricambio.
	Il filtro dei detriti è pieno	Pulire il filtro dei detriti e il coperchio del filtro.
Robot bloccato in mezzo alla piscina ma la testina girevole sta ancora girando	Il robot è bloccato da un ostacolo o da lunghe pieghe sul rivestimento della piscina	Controllare la presenza di eventuali ostacoli che possano ostruire l'aspiratore. Rimuovere l'ostacolo.
	Il robot è ostacolato dalla suzione dall'aspirazione proveniente dallo scarico principale del fondo piscina	Spegnere il sistema di filtraggio come indicato nel manuale.
La testina orientabile gira ripetutamente	Aria intrappolata all'interno del robot	Immergere il robot mentre è ancora spento nella piscina e scuoterlo delicatamente alcune volte per facilitare lo scarico dell'aria prima di accenderlo (mentre il robot è ancora immerso). La testina girevole può ruotare ripetutamente per un breve periodo una volta che il robot affonda sul fondo della piscina. Questo processo si interromperà una volta che scaricata l'aria intrappolata all'interno del robot e il robot inizierà a muoversi regolarmente.
Il robot non copre tutta la piscina	Il filtro dei detriti è pieno	Pulire il filtro.
	Il tempo di funzionamento è più breve di quanto ci si aspettasse	Pulire il compartimento del filtro e ricaricare nuovamente il robot per 6 ore.
	La direzione di movimento è interrotta dalla circolazione dell'acqua generata dal sistema di filtraggio	Spegnere il sistema di filtraggio (come indicato nel manuale di filtraggio) almeno 15 minuti prima della messa in funzione del robot.
	La rotella è bloccata	Controllare e pulire i detriti dalla ruota.
	La posizione della ruota anteriore non è impostata correttamente	Seguire le istruzioni per regolare l'impostazione della ruota anteriore.
	Le alghe rendono il pavimento della piscina scivoloso, il che farà girare il robot intorno a sé stesso	Strofinare il fondale della piscina e le ruote del robot per rimuovere le alghe.
Il robot si muove lungo la parete della piscina	La posizione della ruota anteriore non è impostata correttamente	Seguire le istruzioni per regolare l'impostazione della ruota anteriore.
Il robot si muove lentamente o non si muove affatto	Il compartimento dei detriti è pieno o il coperchio del filtro è tappato	Pulire il compartimento dei detriti. Sciacquare lo schermo con acqua per rimuovere particelle piccole. In caso sia necessario l'uso di una spazzola, usare una spazzola morbida per pulire lo schermo delicatamente. Nota: accertarsi che il coperchio del filtro sia al suo posto prima di mettere di nuovo in funzionamento la macchina. Rimuovere gli oggetti otturati dalla bocca di aspirazione.
	La bocca di aspirazione è ostruita	Spegnere il robot e ispezionare il foro sotto il gruppo rotante per vedere se la ventola è bloccata da detriti.
	Ventola bloccata	Se necessario, contattare il proprio rivenditore per maggiori istruzioni. ATTENZIONE! Accertarsi che il robot sia spento prima mettere in servizio l'unità.
La testina girevole non gira o gira molto lentamente	La linguetta laterale non fuoriesce	Controllare e rimuovere qualsiasi detrito che impedisca il movimento della linguetta. Spegni la filtrazione della piscina per evitare che il movimento del lembo laterale venga disturbato dalla circolazione dell'acqua.
	La testa rotante inferiore è inceppata	Rimuovere la testa rotante e l'o-ring secondo le istruzioni di cui alla sezione "Come rimuovere il pack batteria" dal manuale, quindi: - Rimuovere i detriti incastrati - Ispezionare l'o-ring per eventuali danni o usura. Sostituirli con altri nuovi, se necessario. - Verificare che l'o-ring e la piastra inferiore siano collocati correttamente. (usare come riferimento gli schemi di sotto)



Problema	Possibile causa	Soluzione
I detriti fuoriescono dal robot	La linguetta della bocca di aspirazione (sulla parte inferiore del dispositivo) è danneggiata	La linguetta della bocca di aspirazione funziona come una porta per evitare che i detriti fuoriescano dal compartimento. Contattare il proprio rivenditore per i pezzi di ricambio e le istruzioni.
	I detriti intasati sulla bocca di aspirazione impediscono alla linguetta di chiudersi	Rimuovere i detriti intasati dalla bocca di aspirazione.
I detriti fuoriescono dal coperchio del filtro	Il coperchio del filtro è danneggiato	Sostituire con un nuovo coperchio del filtro dal proprio rivenditore.
Il galleggiante rotondo affonda	Galleggiante danneggiato e perdita d'acqua	Sostituire con un nuovo galleggiante proveniente dal fornitore.
La fune di recupero è affondata	La lunghezza della fune di recupero è troppo lunga	Aggiustare la lunghezza in conformità con le istruzioni nel manuale.
La durata del ciclo di pulizia è più breve di quanto pubblicizzato	La batteria è completamente carica	Caricare il robot per almeno 6 ore. NOTE: in caso di rilevamento di macchie nei piastre di contatto di ricarica, rimuoverli usando un cotton fioc imbevuto nel succo di limone o aceto.
Il robot non si carica/ricarica	La batteria è danneggiata	Contattare il proprio rivenditore per sostituire la batteria. AVVERTENZA! NON aprire il robot né sostituire la batteria senza l'aiuto di un esperto. Ciò potrebbe causare lesioni gravi o mortali e, di conseguenza, rendere nulla la garanzia.
	Il connettore di ricarica non è completamente collegato al robot	Assicurarsi che il connettore di ricarica sia collegato al robot in modo corretto e completo. Consultare il manuale di istruzioni.
	L'adattatore esterno è fuori uso	Contattare il proprio rivenditore per sostituirlo. AVVERTENZA! L'uso di un adattatore esterno erraneo comporterà il danneggiamento del robot/batteria e renderà nulla la garanzia.
Programma Ambientale, Direttiva Europea WEEE		
	Rispettare le normative dell'Unione Europea e aiutare a proteggere l'ambiente. Le attrezzature elettriche non rilavorate devono essere smaltite presso un impianto indicato dal Comune di competenza che si occupi di riciclare appropriatamente attrezzature elettriche ed elettroniche. Non gettare via tali attrezzature in cassonetti per rifiuti indifferenziati. Per articoli contenenti batterie removibili, rimuovere le batterie prima di gettare via il prodotto.	
	Tutti i diritti sono riservati. Nessuna parte di questo documento può essere riprodotta o trasmessa in alcuna forma o tramite alcun mezzo, elettronico, meccanico, fotocopia, registrazione o altro, salvo previa autorizzazione della Kokido Development Ltd. (L-25010013)	

Se è richiesta una copia digitale del presente manuale, prego contattare il centro di assistenza via email: customerservice@kokido.com

CONSERVARE LE PRESENTI ISTRUZIONI

Bemerkte: Abhängig von Ihrem Modell sind die in diesem Handbuch gezeigten Zubehörteile/Teile nicht unbedingt in jedem Modell enthalten.


Produkt/Teile auf Fotos/Zeichnungen können je nach gekauftem Modell variieren. Sehen Sie sich die Ersatzteilzeichnung an, um zu verstehen, welche Teile in Ihrem gekauften Modell enthalten sind.

SICHERHEITSWARNUNGEN UND -HINWEISE

Die in dieser Bedienungsanleitung enthaltenen Informationen helfen Ihnen, das Gerät sicher zu bedienen, sich und andere vor Gefahren zu schützen und Schäden am Gerät und anderem Eigentum zu vermeiden.

BEDIENUNGSANLEITUNG GUT AUFBEWAHREN

WARNUNG!

- Dies ist kein SPIELZEUG. Halten Sie Kinder von diesem Poolroboter und seinem Zubehör fern.
- Lassen Sie keinesfalls zu, dass Kinder das Produkt bedienen.
- Dieses Gerät ist nicht für die Verwendung durch Personen mit eingeschränkten physischen, sensorischen oder geistigen Fähigkeiten oder fehlender Erfahrung und mangelndem Wissen bestimmt, es sei denn, sie wurden von einer für ihre Sicherheit verantwortlichen Person beaufsichtigt oder in die sichere Verwendung des Geräts eingewiesen und verstehen die vorhandenen Gefahren.
- Kinder dürfen nicht mit diesem Produkt spielen.
- Die Reinigung und Wartung des Roboters darf nicht von Kindern durchgeführt werden.
- Achten Sie darauf, dass sich der Poolroboter vollständig unter Wasser befindet, bevor er eingeschaltet wird. Der für den Betrieb des Gerätes erforderliche Mindestwasserstand muss oberhalb des Einschaltknopfs des Geräts liegen, wenn dieses in vertikaler Position gehalten wird. Wird der Roboter betrieben, obwohl er sich nicht korrekt unter Wasser befindet, kann ein Schaden an dem Gerät eintreten, was zum Erlöschen der Gewährleistung führt.
- Die maximale Betriebstiefe beträgt 3 m (9.8 ft.) unter Wasser.
- Betriebswassertemperatur: 5°C (41°F) – 35°C (95°F).
-  Abnehmbares Ladegerät (externer Adapter).
- Der Roboter darf nur mit dem mitgelieferten externen Adapter (der bereits mit dem Ladeanschluss verbunden ist) aufgeladen werden.
- Verbinden Sie den externen Netzadapter über eine Fehlerstromeinrichtung (RCD) / einen Fehlerstrom - Schutzschalter (RCCB) mit dem Netz. Ziehen Sie in Zweifelsfällen einen qualifizierten Elektriker zu Rate.
- Betreiben Sie den Poolroboter nicht, wenn ein Schaden daran festgestellt wurde.
- Ersetzen Sie beschädigte Teile durch solche, die vom Händler oder Hersteller zertifiziert sind.
- Trennen Sie den Roboter vom Stromnetz und vergewissern Sie sich, dass

der Roboter ausgeschaltet ist, bevor Sie regelmäßige Wartungsarbeiten durchführen - wie z. B. das Reinigen des Filters, des schwenkbaren Ausgleichsringes und der Bereiche um die Wassersensoren und den Ladeanschluss.

- Versuchen Sie nicht, den eingebauten wiederaufladbaren Li-Ionen-Akku zu ersetzen.
- Fassen Sie den Roboter, den externen Adapter und den Ladestecker NICHT mit nassen Gliedmaßen und ohne Schuhe an, während er geladen wird.
- Stellen Sie sicher, dass Kinder während des Betriebs nicht versuchen, auf den Roboter zuzugreifen.
- Es ist nicht ratsam, das Schwimmbecken zu betreten, wenn der Roboter arbeitet, um Schäden am Roboter zu vermeiden.
- Betreiben Sie den Poolroboter NICHT ohne intakten Filtereinsatz, da andernfalls die Gewährleistung erlischt.
- Gefahr durch Ansaugen: Dieser Poolroboter erzeugt eine Saugwirkung. Achten Sie darauf, dass Ihr Körper, Ihre Haare oder Teile Ihrer Kleidung nicht zu nahe an die Saugöffnung geraten, während der Poolroboter betrieben wird.
- Stecken Sie niemals Körperteile, Kleidung oder andere Gegenstände in die Öffnungen und beweglichen Teile des Roboters.
- Verwenden Sie diesen Roboter NICHT, um toxische Substanzen, entzündliche und brennbare Flüssigkeiten (z. B. Benzin) in Gegenwart von explosiven oder entflammenden Dämpfen aufzunehmen.
- Sie dürfen unter keinen Umständen den Schwenkkopf auseinanderbauen, um seine inneren Komponenten selbst zu ersetzen. Dies würde zum Erlöschen der Garantie führen, Sie potenziellen Gefahren aussetzen und möglicherweise das Gerät und andere Eigenschaften beschädigen.
- Führen Sie niemals Körperteile oder andere Gegenstände in das Laufrad ein, um das Laufrad zu berühren.
- Die eingebaute Batterie muss von einem Fachmann entfernt werden, bevor sie verschrottet wird.
- Dieses mit Poolroboter arbeitende Gerät enthält einen Akku, der nur von Fachpersonal entfernt werden darf.
- Bevor der Akku entfernt wird, muss das Poolroboter von der Stromversorgung getrennt werden.
- Einzelheiten zum Recycling bzw. zur Entsorgung des Akkus finden Sie im Abschnitt „ENTSORGUNG DES AKKUS“ in dieser Anleitung und wenden Sie sich für weitere Informationen an Ihre örtlichen Behörden.
- Der Akku muss im Einklang mit den im Verwendungsland geltenden Vorschriften entsorgt werden.
- Externer Adapter und Ladestecker:
 - Verwenden Sie den externen Netzadapter und das Ladestecker nicht für andere Zwecke als zum Aufladen des Akkus des Poolroboters, der zusammen mit diesen Teilen geliefert wurde.
 - Der externe Netzadapter und der Ladestecker dürfen weder im Freien

benutzt werden und dürfen weder Regen, Feuchtigkeit, Flüssigkeiten noch Hitze ausgesetzt werden.

- Der Transformator (bzw. der externe Adapter) muss außerhalb von Zone 1 aufgestellt werden.
- Externen Adapter und Ladestecker außerhalb der Reichweite von Kindern aufbewahren.
- Benutzen Sie den externen Netzadapter und den Ladestecker nicht, wenn daran Schäden festgestellt wurden.
- Bedienen Sie den externen Netzadapter und das Ladestecker NICHT mit nassen Händen.
- Trennen Sie den externen Netzadapter vom Netz, wenn Sie ihn nicht verwenden.
- Versuchen Sie nie den externen Adapter zu öffnen und Ladestecker.
- Wenn das Netzkabel des externen Adapters beschädigt ist, muss der externe Adapter durch den Hersteller oder seinen Kundendienstvertreter ersetzt werden, um Gefahren jeglicher Art zu vermeiden.
- Vergewissern Sie sich vor dem Aufladen, dass der Roboter vollkommen trocken ist.

VORSICHT!

- Dieser Roboter ist nur für die Verwendung unter Wasser ausgelegt, es ist kein Mehrzweck-Sauger. Versuchen Sie NICHT, damit etwas anderes zu reinigen als ein Schwimmbecken.
- Verwenden Sie nur Original - Zubehörteile, die mit dem Produkt geliefert wurden.
- Verwenden Sie diesen Poolroboter NICHT unmittelbar nach einer Chlorbehandlung. Es wird empfohlen, erst 24 bis 48 Stunden abzuwarten, damit das Wasser im Becken zirkulieren kann.
- Bei einem Salzwasserpool müssen Sie sich vergewissern, dass das Salz komplett gelöst ist, bevor Sie den Roboter ins Wasser setzen.
- Verwenden Sie diesen Roboter NICHT gleichzeitig mit einem anderen automatischen/manuellen Reingigungsgerät im Becken.
- Entfernen Sie harte, scharfe Gegenstände aus dem Becken, bevor Sie den Roboter einsetzen, um Schäden am Roboter und seinem Filter zu vermeiden.
- Um Beschädigungen des externen Adapters und des Ladesteckers zu vermeiden, versuchen Sie nicht, den Roboter am Kabel des externen Adapters/Ladesteckers zu tragen oder am Kabel zu ziehen, um ihn von der Stromquelle und dem Ladestecker zu trennen.
- Laden Sie den Poolroboter im Haus und in einem trockenen, sauberen Bereich mit guter Belüftung und nicht in direktem Sonnenlicht.
- Lassen Sie den Poolroboter NICHT mehr als 10 Stunden laden.
- Wird der Poolroboter längere Zeit nicht benutzt, trennen Sie ihn vom Ladestecker ab und reinigen Sie Poolroboter und Zubehör mit einem feuchten Tuch. Achten Sie darauf, den Poolroboter auf 30 - 50 % Akkukapazität aufzuladen, bevor er weggelegt wird. Lagern Sie das Gerät in einem gut belüfteten Raum geschützt vor Sonneneinstrahlung, Hitze- oder Feuerquellen und Schwimmbadchemikalien und außerhalb der Reichweite von Kindern. Laden Sie den Poolroboter mindestens alle drei Monate auf.
- Alle Maßnahmen zur Demontage des Schwenkkopfes (z. B. Batterieentsorgung) sollten nur von einem autorisierten Techniker durchgeführt werden.

Oben aufgeführte Warnungen und Vorsichtsmaßnahmen umfassen nicht alle möglichen Risiken und/oder schweren Verletzungsgefahren. Pool/Spa-Eigentümer sollten bei der Verwendung des Produkts stets zusätzliche Vorsicht und gesunden Menschenverstand walten lassen.

BETRIEB DES ROBOTERS

An der Unterseite des Schwenkkopfs befindet sich eine Spritzdüse. Das Wasser wird von der Saugdüse an der Unterseite des Roboters angesaugt, durch den Filter geleitet und anschließend durch die Spritzdüse wieder abgegeben. Das aus der Düse spritzende Wasser bewegt den Roboter vorwärts. Fährt der Roboter gegen ein Hindernis wie die Beckenwand, dreht sich die Seitenklappe und der Schwenkkopf dreht sich um 180 Grad. Der Roboter fährt dann in entgegengesetzte Richtung weiter. Der Roboter bewegt sich allgemein in gerader Linie in eine Richtung und bogenförmig in die andere Richtung. Während der Fahrt saugt der Schrubber den Schmutz vom Beckenboden ins Schmutzfach (Filter).

VOR DER INBETRIEBNAHME

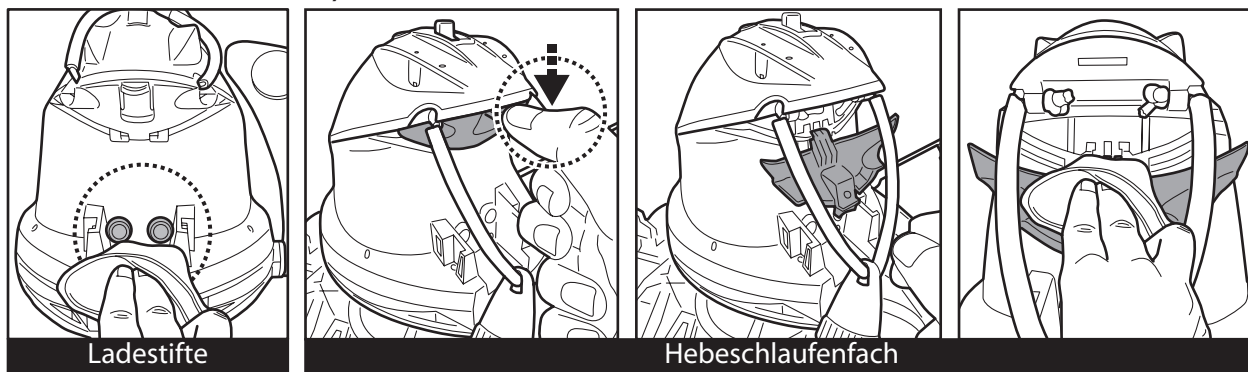
Aufladen des Akkus

WICHTIGER HINWEIS: Laden Sie den Poolroboter 6 Stunden auf, bevor Sie ihn zum ersten Mal benutzen.

WARNUNG!

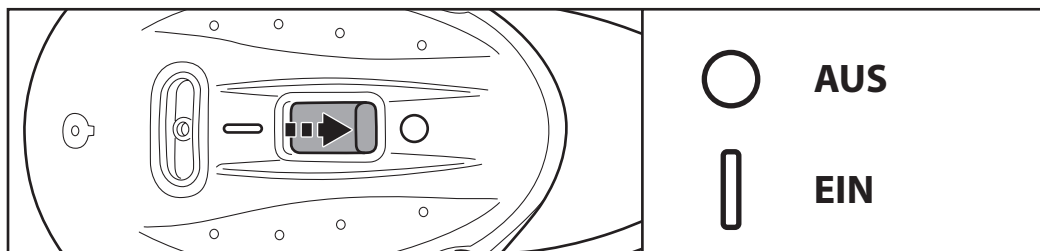
- Verwenden Sie nur den mitgelieferten Original-Netzadapter und den mitgelieferten Ladestecker.
- Vergewissern Sie sich, dass der Roboter (insbesondere das Hebeschlaufenfach) und der Ladeanschluss sauber und trocken sind, bevor Sie ihn aufstellen und aufladen.

(TIPP: Verwenden Sie einen Wattestäbchen zum Trocknen der Ladeöffnung und der Ladestifte).

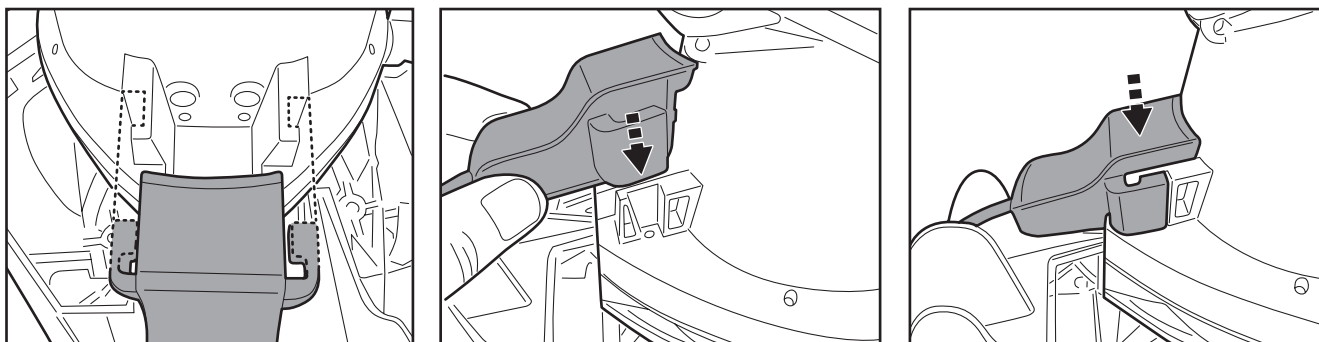


- Die Ladeplatten sind wasserdicht. Wasserreste im Hafen und um die Stifte Ladeplatten könnten jedoch zum natürlichen Auftreten von Flecken führen (ein Nebenprodukt der chemischen Reaktion zwischen Wasser und elektrischen Strömen). Andernfalls können die Flecken durch leichtes Schrubben mit einem mit Zitronensaft oder Essig getränkten Wattestäbchen entfernt werden.

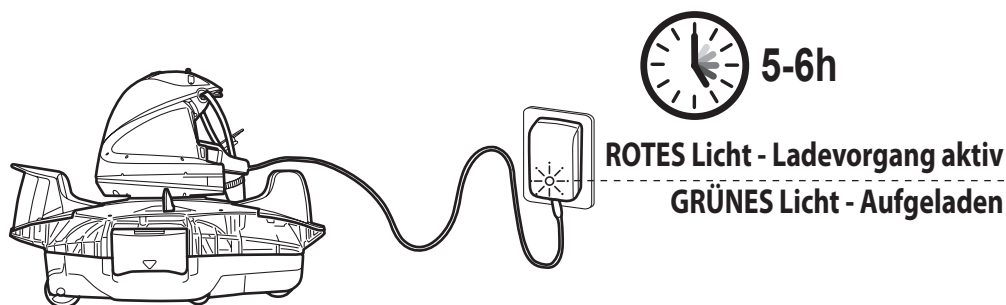
1. Stellen Sie das Gerät auf eine ebene Fläche Der Schalter muss auf **AUS** stehen.



2. Richten Sie den Ladestecker wie abgebildet auf den Ladeanschluss aus. Drücken Sie den Ladestecker bis zum Anschlag ein. **WARNUNG!** Vergewissern Sie sich, dass sowohl der Ladeanschluss als auch die Ladebuchse sauber und trocken sind, bevor Sie sie aufladen. **TIPP:** Verwenden Sie ein Wattestäbchen, um den Ladeanschluss und die Pads zu trocknen.



3. Verbinden Sie den externen Adapter mit der Stromquelle. Die Anzeigeleuchte am externen Adapter leuchtet rot, sobald der Ladevorgang beginnt. Die Anzeigeleuchte am externen Adapter leuchtet grün, wenn der Roboter aufgeladen ist.



- Sollten Sie eine der folgenden Störungen bemerken, trennen Sie den externen Netzadapter sofort von der Stromversorgung:
 - Starker oder ungewöhnlicher Geruch
 - Übermäßige Wärmeentwicklung
 - Verformung, Risse, Auslaufen
 - Rauch

4. Wenn der Ladevorgang abgeschlossen ist, trennen Sie den externen Adapter von der Stromquelle und ziehen Sie den Ladestecker aus dem Gerät.

Normalerweise kann der Poolroboter nach einer vollständigen Ladung bis zu 45 Minuten benutzt werden.

HINWEIS: Reinigen Sie das Schmutzfach regelmäßig. Übermäßiger Schmutz im Inneren des Schmutzfachs erhöht die Belastung des Motors im Betrieb und verkürzt dadurch die Betriebsdauer.

HINWEIS: Wiederaufladbare Lithium - Ionen - Akkus sind Verbrauchsartikel. Sie haben eine begrenzte Lebensdauer und verlieren allmählich ihre Fähigkeit, Ladung zu speichern. Daher wird sich die Laufzeit des Roboters nach wiederholtem Laden und Entladen im Laufe seiner Produktlebensdauer allmählich verringern.

Wenn die Lebensdauer des Akkus erschöpft ist, befolgen Sie die Anweisungen im Abschnitt „**ENTSORGUNG DES AKKUS**“, um den Akku zu entsorgen und den Schwenkkopf auszutauschen.

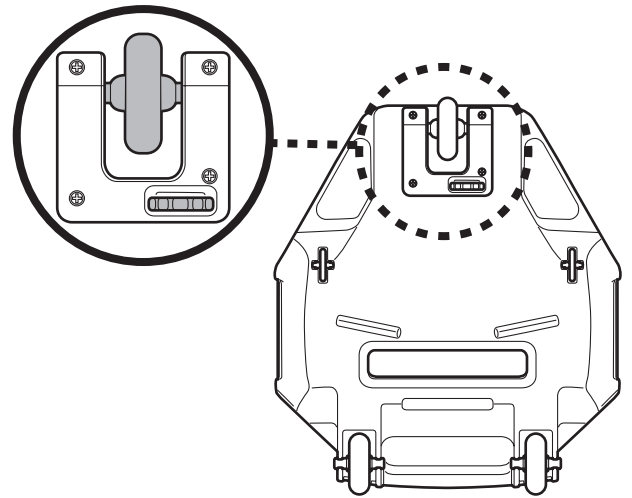
HINWEIS: Lassen Sie den Poolroboter etwa 30 bis 40 Minuten ruhen, bevor Sie ihn erneut aufladen.

Zusammenbau vor Verwendung

Einstellung der Reinigungsstrecke

Die Flugbahn des Roboters wird durch die Position des Vorderrads entlang der Strecke bestimmt, die durch Drehen des Knopfes nach links oder rechts angepasst werden kann.

Beginnen Sie mit dem Vorderrad in der empfohlenen Position.
Bei Bedarf können Sie eine andere Position ausprobieren, die zu Ihrem Pool passt.



Vorderradposition	Poolgröße/Form
	<p>>5.3ft (1.6m)</p>
	<p><4.9ft (1.5m)</p>

Vorbereitung des Beckens

- Steine, Gras oder Pflanzen oder Rost vor Verwendung des Geräts vom Beckenboden entfernen. Ziehen Sie in Zweifelsfällen Fachpersonal zu Rate.
- Beschädigte, verschlissene oder rissige Beckenböden vor Verwendung des Geräts durch Fachpersonal instandsetzen oder auswechseln lassen.
- Leitern, Schwimmer und andere Objekte aus dem Pool entfernen, da sie mit dem Schwimmer des Roboters kollidieren und dadurch den Fahrweg des Poolroboters beeinflussen könnten.
- Bei einem Salzwasserpool müssen Sie sich vergewissern, dass das Salz komplett gelöst ist, bevor Sie den Roboter ins Wasser setzen.

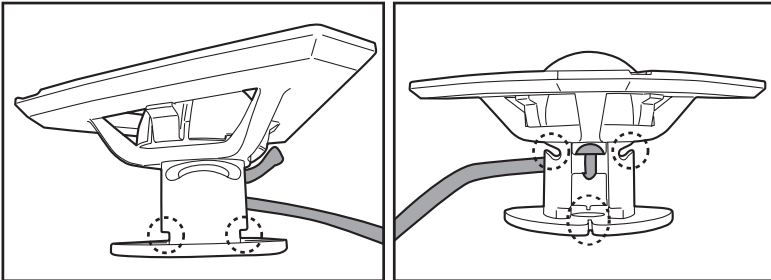
HINWEIS: Für beste Ergebnisse wird empfohlen, die Filtration vor der Verwendung des Roboters auszuschalten.

BEDIENUNG

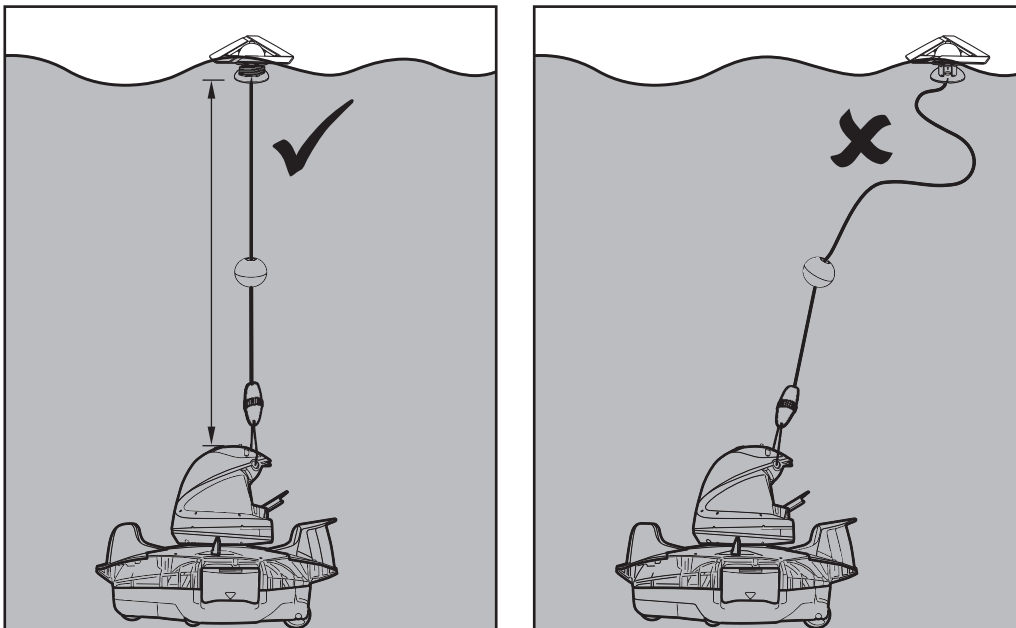
WARNUNG!

- Vergewissern Sie sich, dass das Gerät ausgeschaltet ist.
- Stelle sicher, dass die Filterabdeckung an ihrem Platz ist.
- Vergewissern Sie sich, dass der Ladestecker abgezogen ist, bevor Sie den Roboter im Schwimmbecken einsetzen.

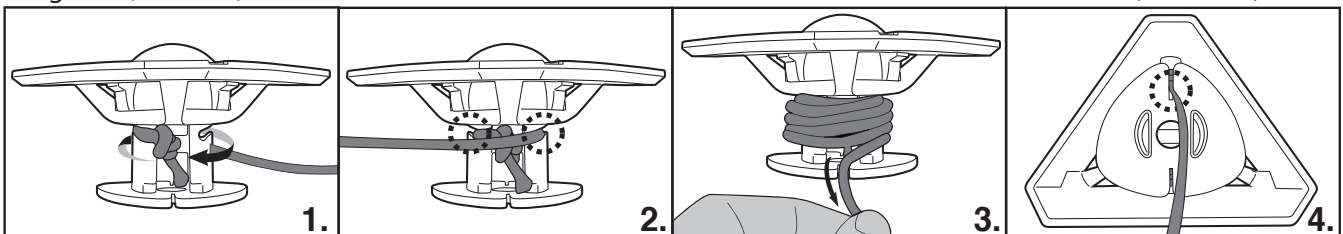
1. Den Roboter am Beckenrand aufstellen. HINWEIS: Setzen Sie den Roboter nur von der Beckenseite aus ein (nicht von der Beckenecke) und achten Sie dabei darauf, dass er nach außen gerichtet ist. Wickeln Sie die Rückholleine vom Schwimmer ab (beachten Sie die seitlichen Kerben oben und unten an der Stange seitliche Kerben sowie den schmalen Schlitz unten).



Die korrekte Länge des Seils sollte dem Abstand zwischen der Oberkante des Roboters und dem Wasserspiegel entsprechen. HINWEIS: Überlänge kann das Seil knicken und dadurch die Leistung beeinträchtigen.

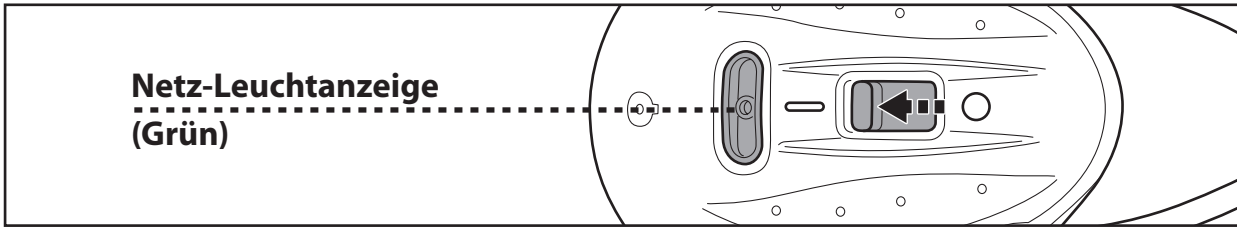


Richten Sie zunächst die Rückholleine aus, befestigen Sie sie an den seitlichen Kerben oben und beginnen Sie, die Leine in beiden Richtungen um die Stange zu wickeln (**Schritt 1 & 2**). Wickeln Sie solange, bis die Leine die gewünschte Länge hat (**Schritt 3**). Ziehen Sie die Leine bis zum unteren Schlitz herunter und stecken Sie sie ein (**Schritt 4**).



2. Tauchen Sie den Roboter im ausgeschalteten Zustand in den Pool ein und schütteln Sie ihn einige Male leicht, damit die Luft entweichen kann. Im Körper eingeschlossene Luft könnte zu einem unregelmäßigen Verhalten des Schwenkkopfes führen (d. h. wiederholtes Drehen im Becken für einige Minuten).

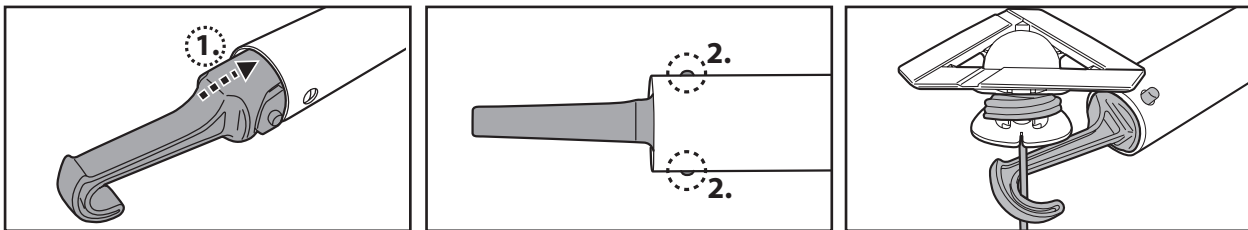
- Schieben Sie den Netzschalter auf **EIN** (während der Roboter noch untergetaucht ist) - die Kontrollleuchte leuchtet auf und aktiviert den Motor automatisch (der Wasserstand muss die Sensoren unter den Ladepads an der Rückseite des Schwenkkopfes bedecken). Lassen Sie den Roboter auf den Beckenboden sinken und beobachten Sie seine ersten Vorwärts - und Rückwärtsbewegungen über den Beckenboden. Lläuft er an der Beckenwand entlang statt senkrecht, holen Sie ihn heraus und setzen Sie ihn erneut ein. Achten Sie dabei darauf, dass seine Vorder- / Rückseite der Beckenwand zugewandt ist.



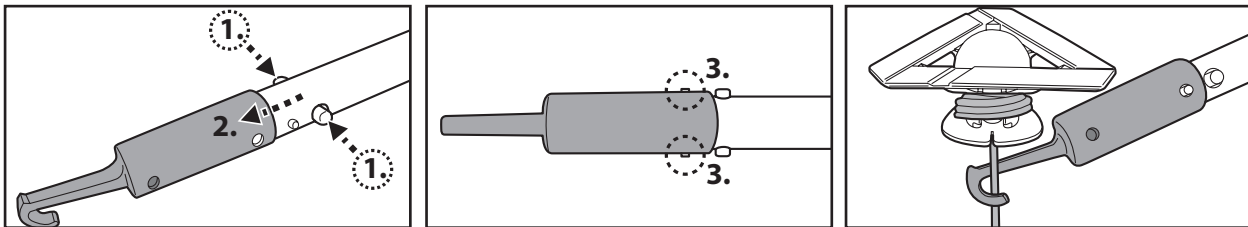
Die LED beginnt zu blinken, wenn die Akkuladung unter 5 - 10 Minuten ist. LED Betriebsanzeige:
 Kein Licht - Ausgeschaltet / kein Akku
 Licht - Eingeschaltet
 Blinkendes Licht - Akku hält nur noch max. 5 - 10 Minuten.

HINWEIS: Versuch Sie nie, beide Wassersensoren mit etwas anderem als Wasser in Kontakt zu bringen.

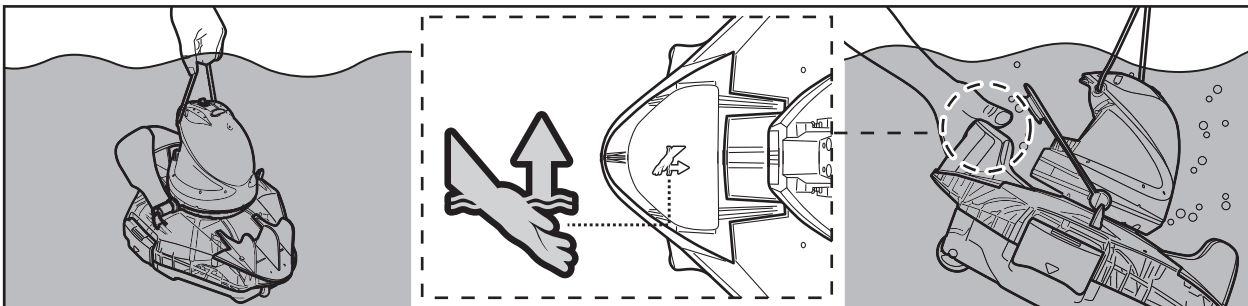
- Um den Roboter aus dem Pool zu entnehmen, bringen Sie einen Haken an die Teleskopstange an (nicht inbegriffen) und verwenden Sie ihn, um den Schwimmer herauszuholen, sollten dies mit den Händen nicht möglich sein. (nur für USA / EU - Länder)



(nur für Australien / Neuseeland)



Sobald Sie mit Ihrer Hand die Hebeschleife erreichen können, ergreifen Sie diese, um den Roboter an die Wasseroberfläche zu heben, und greifen Sie dann nach der mit dem Hand-Symbol gekennzeichneten Flosse (siehe Abbildung unten). So lässt sich das Herausholen aus dem Schwimmbecken erleichtern. Greifen Sie den Roboter immer an diesem Ende, um das Wasser ablaufen zu lassen und zu verhindern, dass beim Herausholen Schmutz ins Becken zurückfällt.



- Schieben Sie den Schalter auf AUS. Spülen Sie den Poolroboter nach jedem Einsatz mit sauberem Wasser ab. Verwenden Sie dazu KEINE Reinigungsmittel.
- Trocknen Sie den Ladeanschluss und Ladeplatten gründlich (TIPP: Verwenden Sie Wattestäbchen zum Trocknen)

HINWEIS: Für eine effiziente Reinigung eines sehr verschmutzten Beckens wird empfohlen, das Schmutzfach (im Inneren des Roboters) nach den ersten 30 Minuten bzw. wenn der Roboter langsamer zu werden beginnt zu leeren. Danach den Roboter (mit dem ausgeleerten Schmutzfach) wieder ins Becken setzen, damit der Rest gereinigt werden kann.

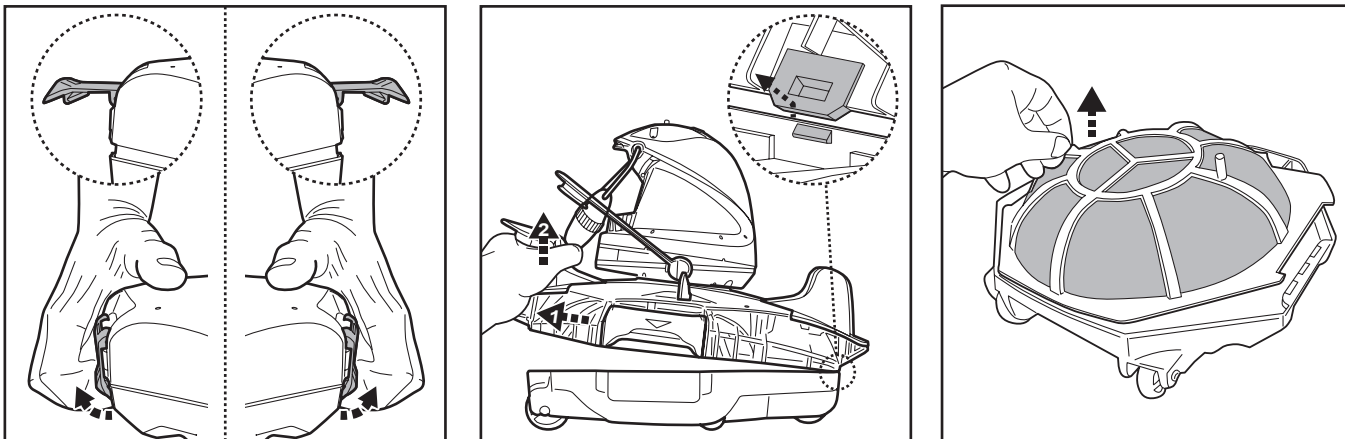
LEEREN DES SCHMUTZFACHS

WARNUNG! Ein Betrieb des Poolroboters ohne Filterabdeckung führt zum ERLÖSCHEN der Garantie.

Um eine optimale Reinigungsleistung zu erzielen, Schmutzfach und Filterabdeckung nach jeder Verwendung reinigen.

VORSICHT! Bevor Sie das Schmutzfach reinigen, vergewissern Sie sich, dass der Roboter **AUSGESCHALTET** ist.

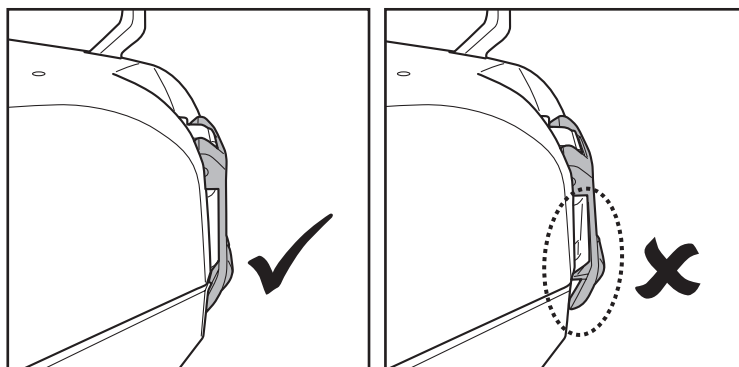
1. Stellen Sie das Reinigungsgerät auf eine flache und stabile Oberfläche. Öffnen Sie die Seitenklammern, um die obere Abdeckung vom Grundgerät zu lösen. Schieben Sie die obere Abdeckung aus dem Grundgerät heraus, um die Filterabdeckung freizulegen.



2. Bauen Sie die Filterabdeckung heraus und entfernen Sie den Schmutz aus dem Behälter. Es wird empfohlen, das Filterabdecksieb mit laufendem Wasser zu reinigen. Sollte das Sieb gebürstet werden müssen, verwenden Sie ausschließlich eine weiche Bürste und reinigen Sie es vorsichtig und sanft, um es nicht zu beschädigen.

3. Vergewissern Sie sich nach dem Reinigen, dass der Filterdeckel an seinem Platz ist, und führen Sie die obigen Schritte in umgekehrter Reihenfolge aus, um den oberen Deckel wieder am Grundgerät auszurichten.

Drücken Sie auf beide seitlichen Clips, bis sie am Sockel befestigt sind. Ein „Klick“-Geräusch bestätigt, dass die obere Abdeckung am Sockel befestigt ist.



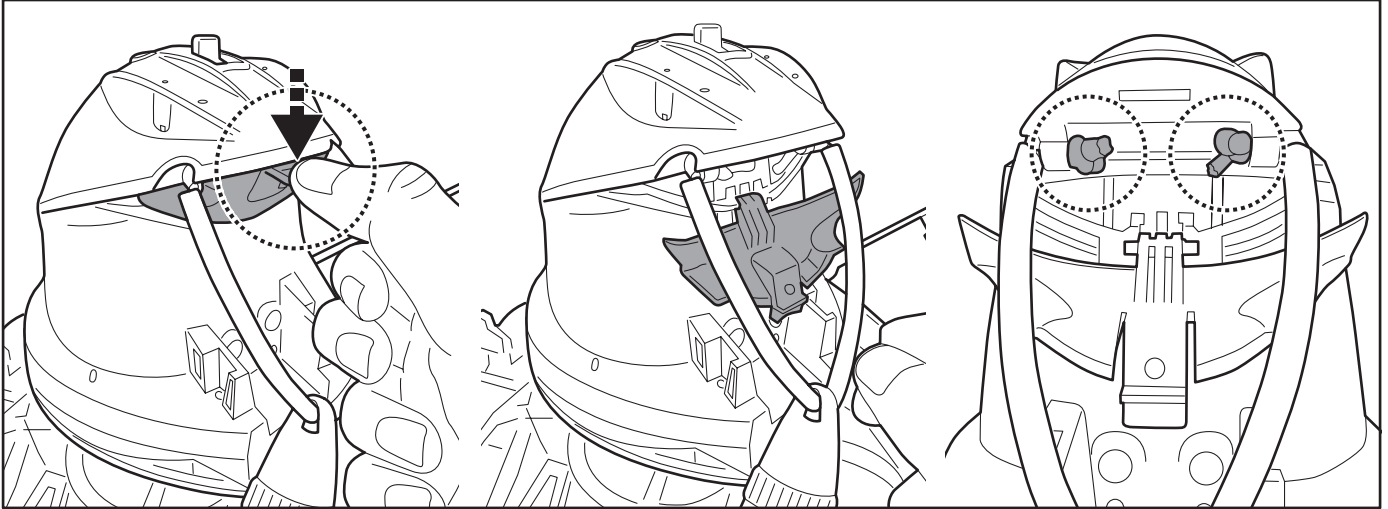
TIPP: Halten Sie den Roboter vor dem Wiedereinsetzen in das Schwimmbecken fest, dass die obere Abdeckung am Boden befestigt ist.

VORSICHT!

- Ersetzen Sie eine beschädigte Filterabdeckung sofort durch eine neue, bevor das Gerät erneut verwendet wird.
- Ersetzen Sie ein beschädigtes Rückholset unverzüglich vor dem nächsten Einsatz durch ein neues.
- Ersetzen Sie einen Seitenklappe sofort durch einen neuen, bevor Sie ihn erneut benutzen.

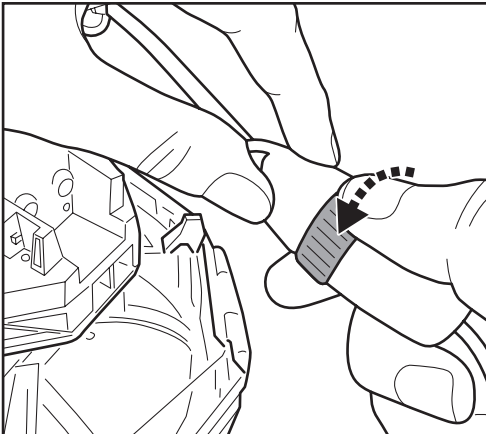
Austausch der Hebeschlaufe

Drücken Sie auf die Lasche, um die Abdeckung zu lösen. Schneiden Sie die Schlaufe ab und ersetzen Sie sie durch eine neue Schlaufe. Vergewissern Sie sich, dass beide Enden der neuen Schlaufe durch einen Knoten gesichert sind.

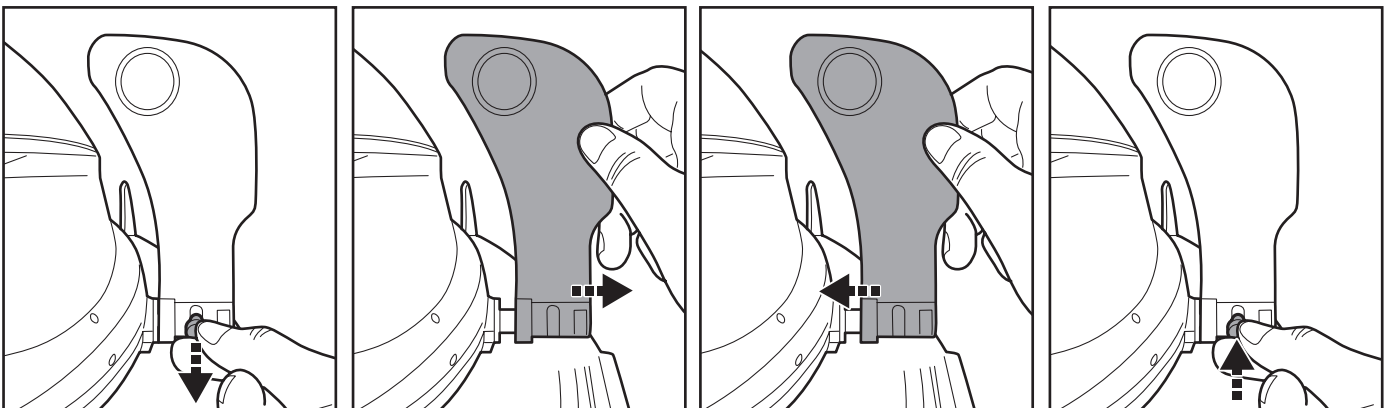


Austausch des Rückholsets

Suchen Sie die Schraubverbindung an der Hebeschlaufe. Greifen Sie das Ende, das sich an der Schlaufe befindet, und lösen Sie den Gewinding wie gezeigt, um die Verbindung zu lösen. Wiederholen Sie die Schritte, um ein neues Rückholset zu installieren.



Austausch der Seitenklappe



WARTUNG UND LAGERUNG

HINWEIS:

- 1) Achten Sie darauf, die Bereiche um den Ladeanschluss und die Wassersensoren nach jedem Gebrauch zu reinigen und zu trocknen, um die Bildung von Ablagerungen (Nebenprodukt einer natürlichen chemischen Reaktion zwischen elektrischem Strom und Wasser) zu vermeiden. Andernfalls können Sie die Ablagerungen durch leichtes Schrubben mit einem mit Zitronensaft oder Essig getränkten Wattestäbchen entfernen.
- 2) Während der Lagerung entlädt sich der Akku von selbst. Achten Sie darauf, den Poolroboter auf 30 - 50 % Akkukapazität aufzuladen, bevor er weggelegt wird.
- 3) Sie müssen den Akku mindestens alle drei Monate aufladen, auch, wenn das Gerät nicht benutzt wird.
 - Ziehen Sie den externen Adapter aus der Steckdose und den Ladestecker vom Roboter ab.
 - Entfernen Sie etwaige Zubehörteile von dem Poolroboter. Falls nötig, spülen Sie den Poolroboter und die Zubehörteile mit sauberem Wasser. Verwenden Sie dazu **KEINE** Reinigungsmittel.
 - Achten Sie darauf, dass Wasser aus dem Roboter ablaufen kann.
 - Reinigen Sie den Poolroboter und das Zubehör mit einem feuchten Tuch.
 - Lagern Sie die Teile in einem gut belüfteten Raum geschützt vor Sonneneinstrahlung, Hitze - oder Feuerquellen und Poolchemikalien und außerhalb der Reichweite von Kindern. Die Raumtemperatur während der Lagerung sollte zwischen 10°C – 25°C liegen (50°F – 77°F). **HINWEIS:** Eine höhere Lagertemperatur kann die Lebensdauer des Akku verkürzen.

WARNUNG! Sie dürfen unter keinen Umständen den Schwenkkopf auseinanderbauen, um seine inneren Komponenten selbst zu ersetzen. Dies würde zum Erlöschen der Garantie führen, Sie potenziellen Gefahren aussetzen und möglicherweise das Gerät und andere Eigenschaften beschädigen.

VORSICHT!

- Zu starke Hitze kann den Akku beschädigen und die Lebensdauer des Roboters verkürzen.
- Wenden Sie sich an den Händler, um den Akku auszutauschen, wenn Sie Folgendes feststellen:
 - Akku erscheint beschädigt oder lädt nicht vollständig auf.
 - Die Betriebsdauer mit einer Batterieladung ist wesentlich verkürzt. Beobachten und notieren Sie die Betriebsdauer, wenn das Gerät die ersten Male benutzt wird (nach vollständigem Aufladen). Verwenden Sie diese Aufzeichnungen als Referenz zum Vergleich der Betriebsdauer bei älteren Akkus.
- Der Akku muss vor dem Entsorgen des Roboters entfernt werden.
- Bevor der Akku entfernt wird, muss das Gerät von der Stromversorgung getrennt werden.
- Der Akku muss im Einklang mit den im Verwendungsland geltenden Vorschriften entsorgt werden.

HINWEIS: Eine fehlerhafte Wartung kann die Lebensdauer des Akkus verkürzen und zur Verringerung der Akkudauer führen.

ENTSORGUNG DES AKKUS (von einem autorisierten Techniker durchzuführen)

Ihr Poolsauger ist mit einem wartungsfreien, wiederaufladbaren Lithium-Ion-Akku ausgerüstet, der ordnungsgemäß entsorgt werden muss. Das Recycling ist vorgeschrieben; bitte fragen Sie Ihre lokale Behörde nach weiteren Informationen.

WARNUNG! Versuchen Sie nie, einen Akku auseinanderzunehmen.

- Entfernen Sie alle persönlichen Gegenstände wie Ringe, Armbänder, Ketten und Uhren, bevor Sie den Akku aus dem Poolroboter herausnehmen.
- Ein Akku kann einen Kurzschlussstrom auslösen, der hoch genug ist, um einen Ring (oder ähnliche Gegenstände) schmelzen zu lassen, was zu schweren Verbrennungen führen kann.
- Tragen Sie beim Entfernen des Akkus vollständigen Augenschutz, Handschuhe und Schutzkleidung.
- Vermeiden Sie eine Berührung aller Drähte gleichzeitig, und vermeiden Sie einen Kontakt zwischen den Drähten und anderen Metallgegenständen, weil dies zu Funken oder zu einem Kurzschluss des Akkus führen kann.
- Rauchen Sie in der Nähe des Akkus nicht und achten Sie darauf, dass es in der Nähe des Akkus oder des Poolroboters nicht zu Feuer oder Funkenflug kommt.
- Setzen Sie den Akku weder Feuer noch starker Hitze aus, da dies zu einer Explosion führen kann.

VORSICHT!

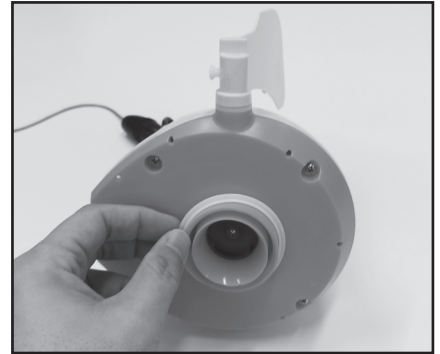
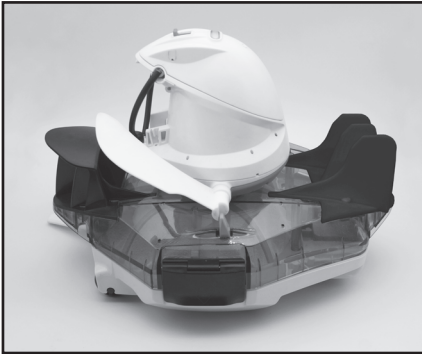
Sollte der Akku tropfen oder auslaufen, vermeiden Sie den Kontakt mit der austretenden Flüssigkeit und stecken Sie den Akku in einen Plastikbeutel.

- Kommt die austretende Flüssigkeit in Kontakt mit Haut oder Kleidung, waschen Sie sie sofort mit viel Seife und Wasser ab.
- Kommt die austretende Flüssigkeit in Kontakt mit den Augen, reiben Sie die Augen nicht, sondern spülen Sie sie sofort mindestens 15 Minuten lang mit fließend kaltem Wasser aus, ohne die Augen zu reiben. Suchen Sie so schnell wie möglich einen Arzt auf.

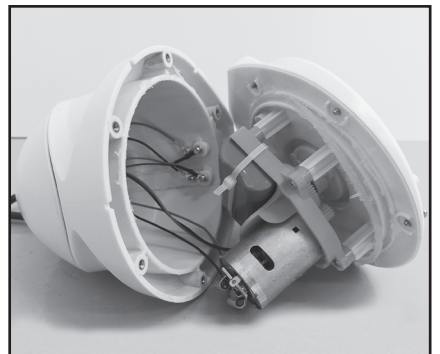
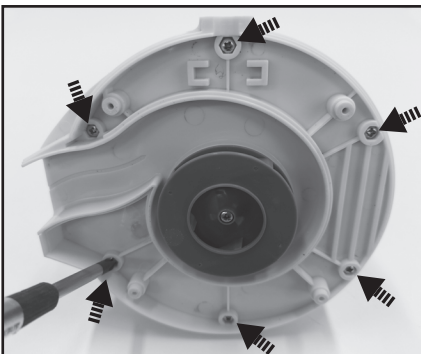
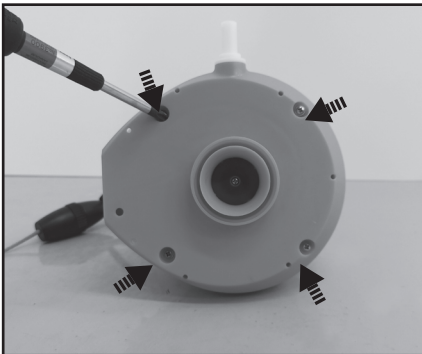
Entfernen den Akku nur zu dessen Entsorgung (von einem autorisierten Techniker durchzuführen)

Empfohlene Werkzeuge (nicht mitgeliefert): Schraubenzieher.

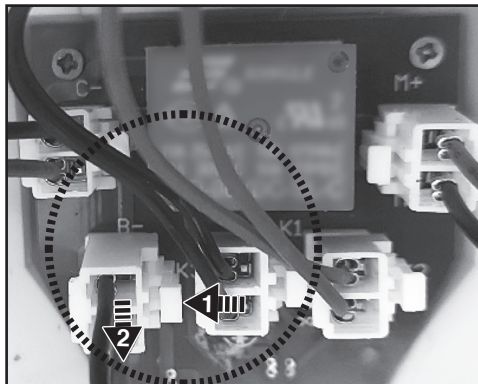
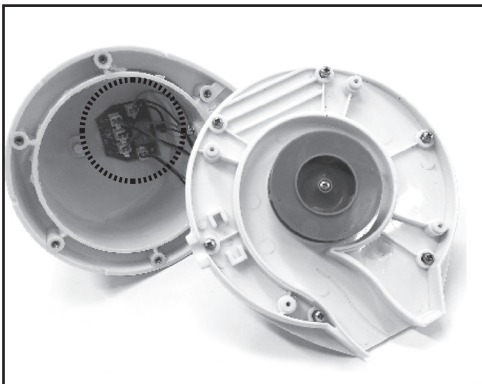
- 1) Befolgen Sie die Anweisungen im Abschnitt „LEEREN DES SCHMUTZFACHS“ zum Entfernen der oberen Abdeckung (werkseitig mit Schwenkkopf verbunden). Drehen Sie die untere Verriegelungsplatte gegen den Uhrzeigersinn, um den Schwenkkopf freizugeben. Entfernen Sie den Schwenk - Ausgleichsring.



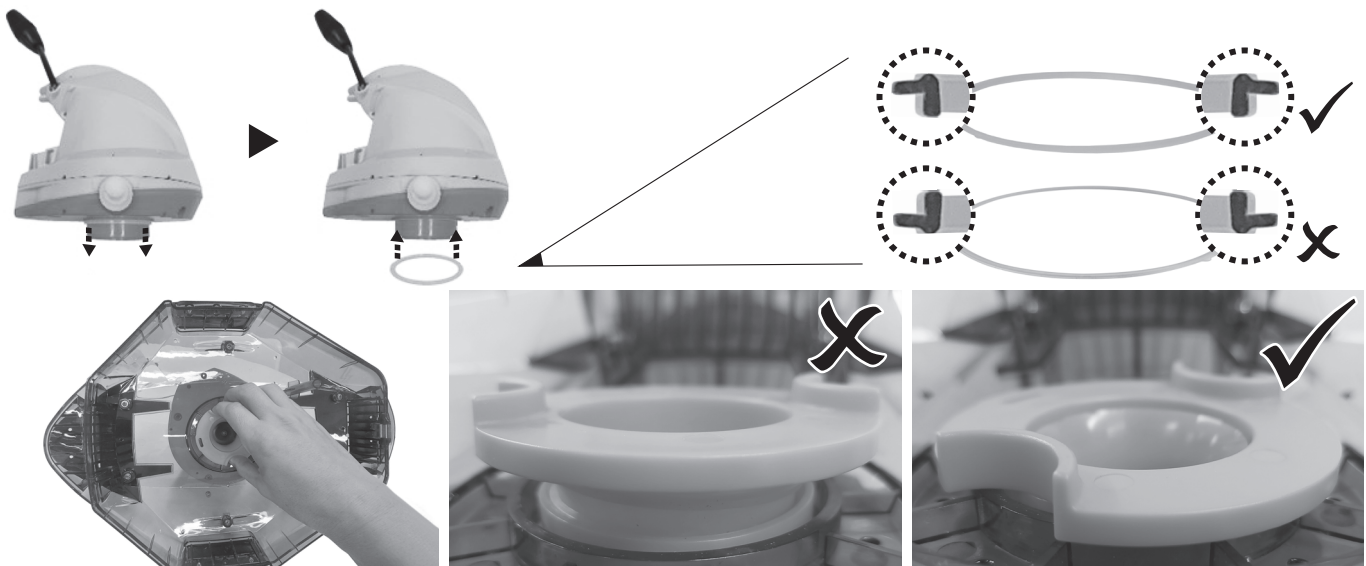
2. Lösen Sie mit dem Schraubenzieher die 4 Schrauben an der Unterseite des Schwenkkopfs, um die Platte zu entfernen. Mit dem Schraubenzieher alle Schrauben wie gezeigt lösen. Anschließend nach oben ziehen und entfernen, so dass der Kopf zugänglich ist.



3. Akku herausnehmen, so dass PCBA zugänglich ist. Um die Anschlussdrähte vom Akku zu lösen, auf den Clip am Stecker drücken und dann herausziehen. **HINWEIS:** Umwickeln Sie den Stecker sofort mit Isolierband, um einen Kurzschluss durch einen Kontakt der beiden Drahtenden zu vermeiden.



Störung	Mögliche Ursache	Lösung
Robot startet nicht unter Wasser	Verschmutzte Wassersensoren	Verwenden Sie zum Reinigen und Entfernen der Flecken einen mit Zitronensaft oder Essig getränkten Wattestäbchen.
Der Poolroboter saugt den Schmutz nicht auf	Akku ist zu schwach	Roboter aufladen.
	Laufrad ist blockiert	Schalten Sie den Poolroboter aus und prüfen Sie visuell an der Öffnung unter dem Schwenkkopf, ob das Laufrad durch größere Schmutzteile blockiert ist. Falls notwendig fragen Sie Ihren Händler um Rat. WARNUNG! Bitte achten Sie darauf, dass der Poolroboter ausgeschaltet ist, wenn Wartungsarbeiten an dem Gerät durchgeführt werden.
	Saugdüse ist verstopft	Entfernen Sie die Fremdkörper aus der Saugdüse.
	Laufrad ist kaputt	Bitte wenden Sie sich zum Austausch an Ihren Händler.
	Schmutzfach ist voll	Reinigen Sie Schmutzfach und Filterabdeckung.
Roboter stoppt in der Mitte des Beckens, aber der Schwenkkopf dreht sich weiter	Roboter wird von einem Hindernis oder großen Falten in der Poolfolie gestoppt	Sicherstellen, dass der Reiniger nicht verstopft ist. Hindernis entfernen.
	Roboter wird durch das Ansaugen vom Hauptabfluss im Beckenboden gestoppt	Schalten Sie die Filteranlage aus wie in der Anleitung beschrieben.
Schwenkkopf dreht sich mehrfach komplett	Aire atrapado en el interior del robot	Tauchen Sie den Roboter im ausgeschalteten Zustand ein und schütteln Sie ihn einige Male leicht, damit die Luft entweicht, bevor Sie ihn einschalten (während der Roboter untergetaucht ist). Der Schwenkkopf kann sich nach dem Absenken des Roboters auf den Beckenboden für kurze Zeit wiederholt drehen. Dieses Phänomen hört auf, sobald die im Roboter eingeschlossene Luft entweicht, und der Roboter beginnt, sich regelmäßig zu bewegen.
Roboter reinigt nicht den ganzen Beckenboden	Schmutzfach ist voll	Schmutzfach reinigen.
	Akkudauer kürzer als erwartet	Schmutzfach / Filter reinigen und den Roboter erneut für 6 Std. aufladen.
	Bewegungsrichtung wird durch die von der Filteranlage verursachte Wasserzirkulation unterbrochen	Filteranlage mindestens 15 Minuten vor den Roboterbetrieb ausschalten (wie in der Filteranleitung angegeben).
	Rad ist blockiert	Rad auf Schmutz überprüfen und bei Bedarf reinigen.
	Das Vorderrad ist nicht korrekt positioniert	Anweisungen zur Einstellung des Vorderrad befolgen.
Algen machen den Poolboden rutschig, sodass der Roboter sich im Kreis dreht	Schrubben Sie den Poolboden und die Roboterrollen, um die Algen zu entfernen.	
Roboter bewegt sich parallel zur Beckenwand	Vorderrad ist nicht korrekt positioniert / Startrichtung des Roboters ist falsch	Befolgen Sie die Anweisungen zur Einstellung des Vorderrads. Stellen Sie sicher, dass die Vorder- / Rückseite des Roboters beim Start richtig zur Poolwand ausgerichtet ist.
Roboter bewegt sich langsam oder überhaupt nicht	Schmutzfach ist voll oder die Filterabdeckung ist verstopft	Reinigen Sie das Schmutzfach. Spülen Sie das Sieb mit Wasser, um kleine Partikel zu entfernen. Muss das Sieb gebürstet werden, verwenden Sie eine weiche Bürste, um das Sieb sanft zu reinigen. Hinweis: Vergewissern Sie sich, dass die Filterabdeckung vor dem nächsten Vorgang eingebaut ist.
	Saugdüse ist verstopft	Entfernen Sie die Fremdkörper aus der Saugdüse.
	Laufrad ist verklemmt	Schalten Sie den Roboter aus und prüfen Sie über das Loch unter dem Schwenkkopf, ob das Laufrad von großen Fremdkörpern blockiert wird. Wenden Sie sich erforderlichenfalls an Ihren Händler, um weitere Anweisungen zu erhalten. WARNUNG! Vergewissern Sie sich, dass der Roboter ausgeschaltet ist, bevor Wartungstätigkeiten durchgeführt werden.
Der Schwenkkopf dreht sich nicht oder nur sehr langsam	Seitenklappe klappt nicht nach oben	Entfernen Sie Fremdkörper / Schmutz an der Klappe. Schalten Sie die Poolfiltration aus, um zu verhindern, dass die Bewegung des Seitenschlittens durch die Wasserzirkulation gestört wird.
	Schwenkkopfboden ist verklemmt	Nehmen Sie den Schwenkkopf und den Ausgleichsring gemäß den Anweisungen im Abschnitt „Herausnehmen des Akkus“ in der Anleitung, anschließend: - entfernen Sie den festgesetzten Schmutz. - prüfen Sie den Ausgleichsring auf mögliche Schäden und Verschleiß. Ersetzen Sie ihn gegebenenfalls durch einen neuen. - überprüfen Sie, dass der Ausgleichsring und die Grundplatte korrekt installiert sind. (siehe nachstehende Abbildungen)



Störung	Mögliche Ursache	Lösung
Schmutz fällt aus dem Roboter	Saugdüsenklappe (am Boden des Reinigers) ist beschädigt	Die Saugdüsenklappe wirkt wie eine Tür, die verhindert, dass der Schmutz aus dem Filter herausfällt. Wenden Sie sich wegen der entsprechenden Ersatzteile und Anweisungen an Ihren Händler.
	Saugdüse durch Schmutz verstopft, sodass die Klappe nicht schließt	Schmutz von der Saugdüse entfernen.
Schmutz befindet sich außerhalb der Filterabdeckung	Sieb der Filterabdeckung ist beschädigt	Tauschen Sie den Filterabdeckung durch einen neuen von Ihrem Händler aus.
Runder Schwimmer sinkt	Beschädigter Schwimmer und Wasserleckage	Tauschen Sie den Schwimmer durch einen neuen von Ihrem Händler aus.
Rückholleine ist geknickt	Rückholleine ist zu lang	Länge gemäß Bedienungsanleitung kürzen.
Die Dauer des Reinigungszyklus ist kürzer als ausgeschrieben	Der Akku ist nicht vollständig geladen	Laden Sie den Roboter mindestens 6 Stunden lang auf. HINWEIS: Falls Flecken auf den Ladeplatten, vorhanden sind, entfernen Sie diese mit einem mit Zitronensaft oder Essig getränkten Wattestäbchen.
Poolroboter kann nicht geladen bzw erneut geladen werden	Akku ist beschädigt	Wenden Sie sich wegen einer neuen Akku-Batterie an Ihren Händler. WARNUNG! Roboter NIE selbst öffnen und Akku NICHT selbst auswechseln. Dies kann schwere bis tödliche Verletzungen zur Folge haben, und die Garantie für das Gerät erlischt in einem solchen Fall.
	Der Ladeanschluss ist nicht vollständig mit dem Roboter verbunden	Vergewissern Sie sich, dass der Ladeanschluss richtig und vollständig mit dem Roboter verbunden ist. Siehe Gebrauchsanweisung.
	Der externe Adapter ist kaputt	Wenden Sie sich wegen eines neuen Teils an Ihren Händler. WARNUNG! Wird ein falscher Netzadapter verwendet, kann das zu Schäden an dem Poolsauger und/oder der Batterie führen und lässt die Gewährleistung erlöschen.
Umweltprogramme, WEEE-Richtlinie der EU		
	Bitte beachten Sie die EU-Vorschriften und tragen Sie zum Umweltschutz bei. Geben Sie nicht funktionierende elektrische Geräte an eine von Ihrer Gemeinde beauftragte Einrichtung zurück, in der elektrische und elektronische Geräte ordnungsgemäß recycelt werden. Entsorgen Sie sie nicht in unsortierten Abfallbehältern. Entfernen Sie bei Gegenständen mit austauschbaren Batterien die Batterien, bevor Sie das Produkt entsorgen.	
	Alle Rechte vorbehalten. Ohne die vorherige schriftliche Genehmigung der Kokido Development Ltd. darf dieses Dokument weder ganz noch in Teilen vervielfältigt oder in anderer Weise übertragen werden, gleich ob durch elektronische oder mechanische Verfahren oder durch Photokopie, Tonaufnahmen oder andere Verfahren. (L-25010013)	

Wenn eine Kopie dieser Bedienungsanleitung erforderlich ist, wenden Sie sich bitte per E-Mail an unseren Kundendienst: customerservice@kokido.com

BEDIENUNGSANLEITUNG GUT AUFBEWAHREN


Opmerking: Afhankelijk van het model dat u bezit, zijn accessoires/onderdelen die in deze handleiding worden getoond niet noodzakelijkerwijs bij elk model inbegrepen. Product/onderdelen op foto's/tekeningen kunnen variëren afhankelijk van het gekochte model. Controleer de tekening met reserveonderdelen om de onderdelen te begrijpen die bij uw aangeschafte model zijn inbegrepen.

WAARSCHUWINGEN EN VEILIGHEIDSAANWIJZINGEN

De informatie in deze Handleiding helpt u om het apparaat veilig te bedienen, om uzelf en anderen te beschermen tegen gevaren en om schade aan het apparaat en andere eigendommen te voorkomen.

BEWAAR DEZE HANDLEIDING

WAARSCHUWING!

- Dit is geen SPEELGOED. Zorg ervoor dat kinderen uit de buurt blijven van deze robot en zijn toebehoren.
- Laat kinderen nooit dit toestel bedienen.
- Dit apparaat is niet bedoeld voor gebruik door personen met verminderde fysieke, zintuiglijke of mentale capaciteiten, of een gebrek aan ervaring en kennis, tenzij zij onder toezicht staan of instructies hebben gekregen over het gebruik van het apparaat door een persoon die verantwoordelijk is voor hun veiligheid en zij de daarmee gepaard gaande risico's begrijpen.
- Kinderen mogen niet met dit product spelen.
- De reiniging en het onderhoud van de robot mogen niet door kinderen worden uitgevoerd.
- Zorg ervoor dat de robot volledig ondergedompeld is voor u hem inschakelt. Het minimale waterpeil dat nodig is om de robot te bedienen moet boven de zwenkop van de robot liggen. Het bedienen van de robot terwijl hij niet volledig in het water gedompeld is kan de eenheid beschadigen en de garantie tenietdoen.
- De zuiger is geschikt voor zwembaden tot 3 meter diep.
- Bedrijfstemperatuur van het water: 5°C (41°F) –35°C (95°F).
-  Verwijderbaar voedingsapparaat (externe adapter).
- De robot mag alleen worden opgeladen met de externe adapter (reeds aangesloten op de oplaadconnector) die bij dit product is geleverd.
- Sluit de externe adapter aan op een stroombron via een aardlekschakelaar (RCD) / een verliesstroomschakelaar (GFCI). Raadpleeg een professionele elektricien als u vragen hebt.
- Gebruik deze robot niet indien schade is vastgesteld.
- Vervang beschadigde onderdelen door onderdelen die door de distributeur

of fabrikant zijn gecertificeerd.

- Koppel de robot los van het elektriciteitsnet en zorg ervoor dat de robot UIT staat voordat u regelmatig onderhoud uitvoert - zoals het reinigen van het filter, de zwenkring en de plaatsen rond de watersensoren en de laadpoort.
- Probeer in geen geval de geïnstalleerde oplaadbare Li-ion-batterij te vervangen.
- Pak de robot, de externe adapter en de oplaadconnector NIET vast met natte ledematen en zonder schoenen terwijl hij wordt opgeladen.
- Zorg ervoor dat kinderen niet proberen toegang te krijgen tot de robot terwijl deze in bedrijf is.
- Het is niet aan te raden om het zwembad te betreden wanneer de robot aan het werk is om schade aan de robot te voorkomen.
- Het gebruik van deze robot ZONDER een intacte filter leidt tot het vervallen van de garantie.
- Gevaar voor beknelling door zuigkracht: Deze robot genereert zuigkracht. Zorg ervoor dat haar, lichaamsdelen of losse kledingstukken niet in contact komen met de zuigmond van de robot wanneer deze ingeschakeld is.
- Steek nooit lichaamsdelen, kleding en andere voorwerpen in de openingen en bewegende delen van de robot.
- Gebruik deze robot NIET om giftige stoffen, ontvlambare en brandbare vloeistoffen (d.w.z. benzine) op te zuigen in de aanwezigheid van explosieve of ontvlambare dampen.
- U mag de zwenkkop in geen geval zelf demonteren om de interne onderdelen te vervangen. Hierdoor zou de garantie komen te vervallen, zou u zich kunnen blootstellen aan mogelijke gevaren en zou u het apparaat en andere elementen kunnen beschadigen.
- Steek nooit je vingers of een ander voorwerp in het toestel om de rotor aan te raken.
- De ingebouwde batterij moet door een ervaren technicus worden verwijderd voordat deze wordt afgedankt.
- Deze elektrische bodemzuiger bevat een batterij die enkel mag worden verwijderd door vakkundig personeel.
- De elektrische bodemzuiger moet van het stroomnet worden losgekoppeld wanneer de batterij verwijderd wordt.
- Voor meer informatie over het recyclen/verwijderen van batterijen raadpleegt u het hoofdstuk "DE BATTERIJ WEGWERPEN" in deze handleiding en neemt u contact op met uw lokale autoriteiten voor meer informatie.
- De batterij moet veilig worden weggegooid in overeenstemming met de plaatselijke verordeningen of voorschriften.

- Externe adapter en oplaadconnector:
 - Gebruik de externe adapter en oplaadconnector nooit voor iets anders dan voor het opladen van de batterij van de robot die in hetzelfde pak wordt meegeleverd.
 - Gebruik de externe adapter en oplaadconnector niet buitenshuis en stel ze niet bloot aan regen, vocht, vloeistoffen of hitte.
 - De transformator (of externe adapter) moet buiten zone 1 geplaatst worden.
 - Houd de externe adapter en oplaadconnector buiten het bereik van kinderen.
 - Gebruik de externe adapter en oplaadconnector nooit als enige schade wordt vastgesteld.
 - Raak de externe adapter en oplaadconnector NIET aan met natte handen.
 - Haal de externe adapter uit het stopcontact wanneer hij niet in gebruik is.
 - Probeer de externe adapter nooit te openen en oplaadconnector
 - Als de voedingskabel van de externe adapter beschadigd is, moet de externe adapter door de fabrikant of zijn servicemedewerker worden vervangen om gevaren van welke aard dan ook te voorkomen.
 - Zorg ervoor dat de robot volledig droog is voor u hem oplaadt.

OPGELET!

- Deze robot is enkel bestemd voor gebruik onder water; het is geen universele bodemzuiger. Gebruik hem NOOIT om iets anders schoon te maken dan uw zwembad.
- Gebruik enkel de originele toebehoren die bij dit toestel worden geleverd.
- Gebruik deze robot NIET vlak na een chloorshock. Het is raadzaam om de pomp eerst 24-48 uren te laten draaien.
- Als u een zwembad met zout water gebruikt, zorg er dan voor dat al het zout opgelost is voordat u de robot in het water plaatst.
- Het is niet raadzaam deze robot tegelijkertijd te gebruiken met een andere automatische reiniger/reiniger.
- Zuig geen harde, scherpe voorwerpen op met dit toestel. Ze kunnen de robot en filter beschadigen.
- Draag de robot niet met het snoer van de externe adapter/ oplaadconnector of trek niet aan het snoer om hem van de stroombron en de oplaadconnector los te koppelen om schade aan de externe adapter en de oplaadconnector te vermijden.
- Laad de robot binnenshuis op in een schone, droge en goed verluchte ruimte uit het zonlicht.
- Laat de robot NOOIT langer dan 10 uur opladen.
- Als u de robot langere tijd niet gaat gebruiken, ontkoppel hem dan van de oplaadconnector en gebruik een vochtige doek om de robot en toebehoren schoon te maken en af te drogen. Laad de robot tot ongeveer 30% - 50% van de laadcapaciteit op voordat u hem opbergt. Bewaar hem in een goed verluchte ruimte, beschermd tegen zonlicht, hitte, ontstekingsbronnen en zwembadchemicaliën en buiten het bereik van kinderen. Laad de robot om de drie maanden op.
- Alle handelingen met betrekking tot de demontage van de zwenkop (d.w.z. het afvoeren van de batterij) mogen alleen door een geautoriseerde technicus worden uitgevoerd.

Bovenstaande waarschuwingen en veiligheidsaanwijzingen vormen geen exhaustieve lijst van alle mogelijke risico's en/of verwondingen. Elke zwembad- of spa-eigenaar moet het toestel voorzichtig en met gezond verstand gebruiken.

HOE WERKT DE ROBOT

De robot heeft een water-aandrijfmondstuk aan de onderkant van de bovenste zwenkkop. Het water wordt eerst door de zuigmond aan de onderkant van de robot opgezogen, stroomt door de filter en verlaat het toestel vervolgens via het aandrijfmondstuk. Het water dat uit het mondstuk stroomt stuwt de robot voorwaarts. Zodra de robot tegen een obstakel zoals een zwembadwand stopt, roteert de zijklep en draait de zwenkkop 180o. De robot begint in de omgekeerde richting te bewegen. De robot beweegt doorgaans volgens een recht patroon in één richting en volgens een boogpatroon in de andere richting. Terwijl de robot beweegt, zuigt hij het vuil van de bodem van het zwembad op en slaat het op in het filterbak.

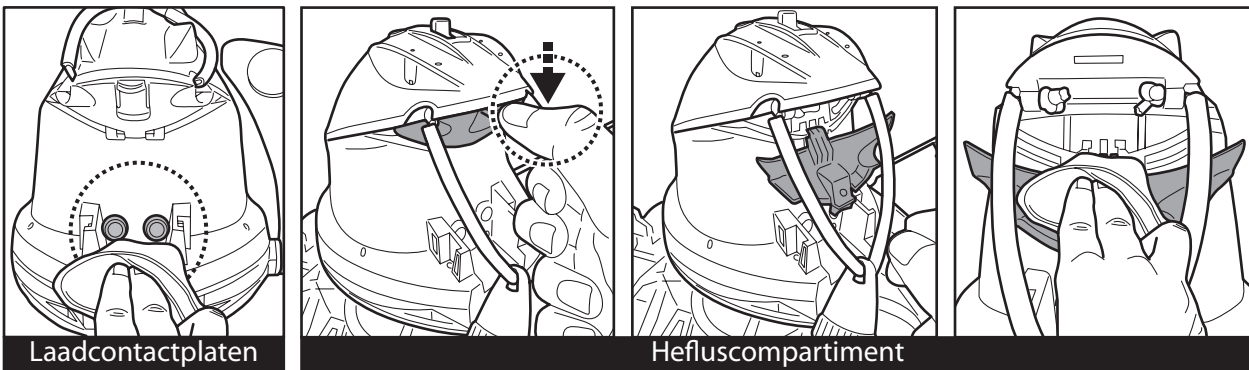
AAN DE SLAG

De batterij laden

BELANGRIJK: Laad de robot volledig op (ongeveer 6 uur) voor u hem voor het eerst gebruikt.

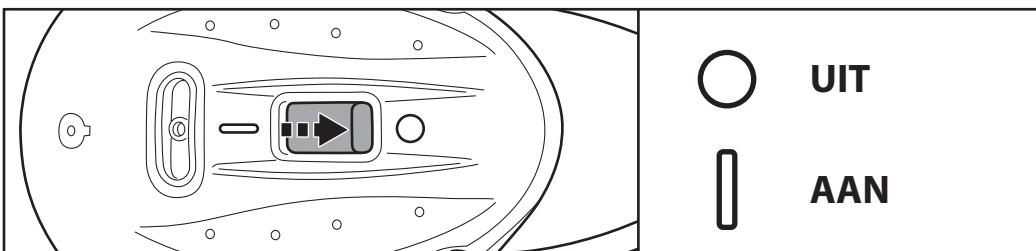
WAARSCHUWING!

- Gebruik alleen de originele externe adapter en meegeleverde oplaadconnector.
- Zorg ervoor dat de robot (met name het hefluscompartiment) en de oplaadpoort schoon en droog zijn voordat u de robot installeert en oplaadt. (TIPS: Gebruik een wattenstaafje om de laadpoort en de laadcontactplaten te drogen.)

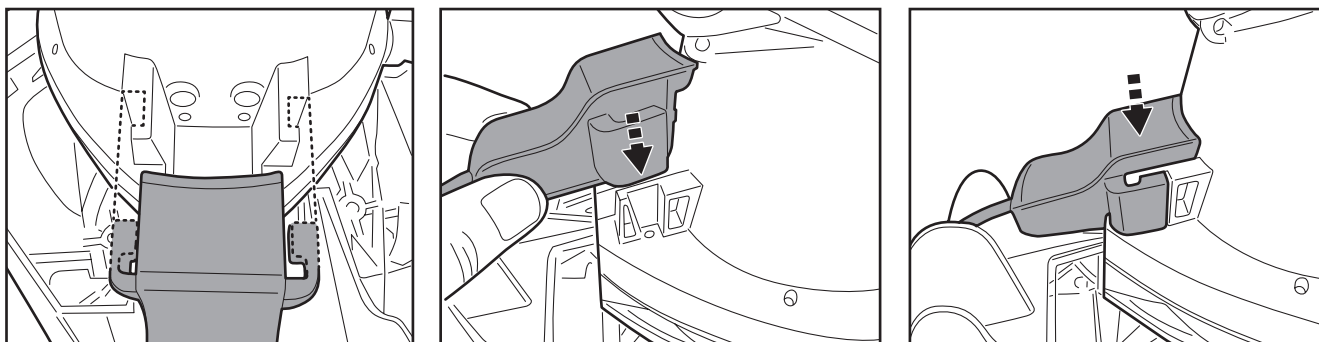


- De laadcontactplaten zijn waterdicht. Waterresten in de poort en rond de laadcontactplaten kunnen echter leiden tot het natuurlijk voorkomen van vlekken (een bijproduct van een chemische reactie tussen water en elektrische stromen). Anders kunnen de vlekken worden verwijderd door licht te schrobben met een wattenstaafje dat in citroensap of azijn is gedrenkt.

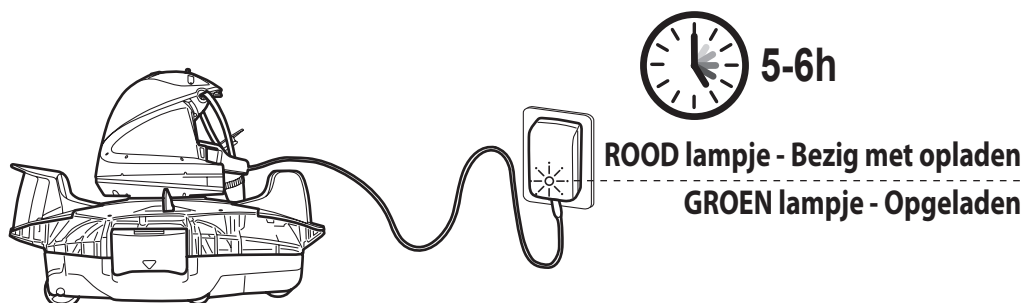
1. Leg de eenheid op een vlakke ondergrond. Schuif de schakelaar in de **UIT**-positie.



2. Lijn de oplaadconnector uit met de oplaadpoort zoals afgebeeld. Druk de oplaadconnector helemaal in. **WAARSCHUWING!** Zorg ervoor dat zowel de oplaadconnector als de oplaadpoort schoon en droog zijn voordat u ze oplaadt. **TIP:** Gebruik een wattenstaafje om de oplaadpoort en de platen droog te maken.



3. Steek de externe adapter in een stopcontact. Het indicatielampje op de externe adapter wordt rood als het laden begint. Het indicatielampje op de externe adapter wordt groen wanneer de robot is opgeladen.



- Koppel de externe adapter onmiddellijk los van de voedingsbron als u een van de volgende omstandigheden opmerkt:
 - Onaangename of ongewone geur
 - Oververhitting
 - Vervorming, barsten, lekken
 - Rook

4. Zodra als hij opladen klaar is, koppelt u de externe adapter los van de stroombron en koppelt u de oplaadconnector los van het apparaat.

Normaal kan de robot tot 45 minuten gebruikt worden indien hij volledig opgeladen is.

OPMERKING: Maak de filterbak regelmatig schoon. Opgehoopt vuil in de filterbak zal de werking van de motor overbelasten en de werkingstijd bijgevolg verkorten.

OPMERKING: De herlaadbare lithium-ionbatterij wordt beschouwd als een verbruiksgoed. Ze heeft een beperkte levensduur en zal na verloop van tijd geleidelijk aan oplaadcapaciteit verliezen. De werkingsduur van de robot vermindert daarom geleidelijk na het herhaaldelijk opladen en ontladen tijdens de levensduur van het product.

Wanneer de levensduur van de batterij ten einde is, raadpleeg dan het hoofdstuk **“DE BATTERIJ WEGWERPEN”** voor instructies voor het wegwerpen van de batterij en het vervangen van de zwenkkop.

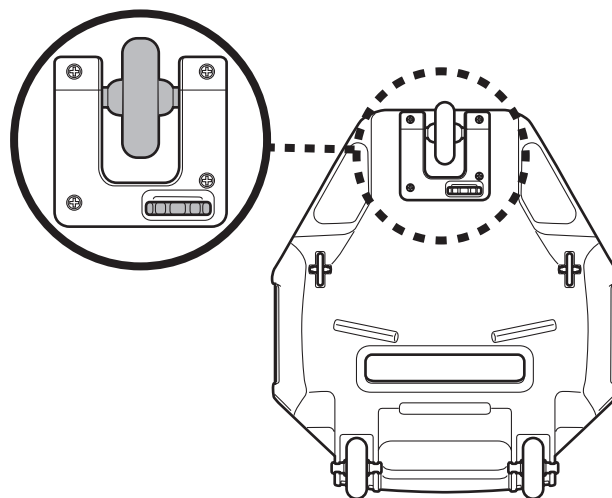
OPMERKING: Laat de robot ongeveer 30 tot 40 minuten rusten alvorens hem opnieuw te laden.

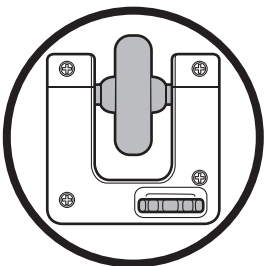
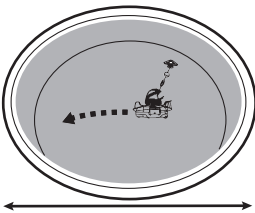
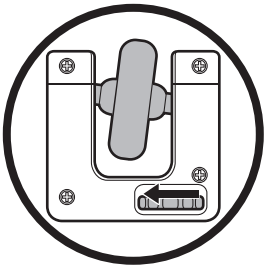
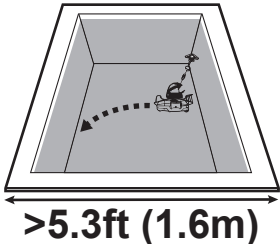
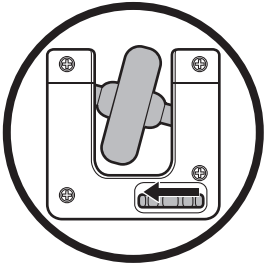
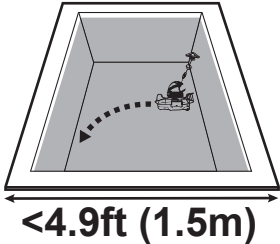
Vorbereiding

Afstelling van Traject

De baan van de robot wordt bepaald door de positie van het voorwiel op de baan. Deze kan worden aangepast door de knop naar links of rechts te draaien.

Begin met het voorwiel in de voorgestelde positie. Indien nodig kunt u een andere positie proberen die bij uw zwembad past.



Positie voorwiel	Grootte zwembad/vorm
	
	
	

Vorbereiding van het Zwembad

- Verwijder stenen, wortels of metaal corrosie in contact met de onderkant van de liner voordat u de robot gebruikt. Laat u indien nodig bijstaan door een gekwalificeerde professional.
- Als de liner broos, beschadigd of gekreukt is, neem dan contact op met een gekwalificeerde professional om de nodige reparatie uit te voeren of om de liner te vervangen voordat u de robot gebruikt.
- Verwijder de zwembadladder, oppervlakte skimmer en andere drijvende voorwerpen uit het zwembad aangezien ze de beweging van de vlotter van de robot en bijgevolg ook de beweging van de robot kunnen belemmeren.
- Als u een zwembad met zout water gebruikt, zorg er dan voor dat al het zout opgelost is voordat u de robot in het water plaatst.

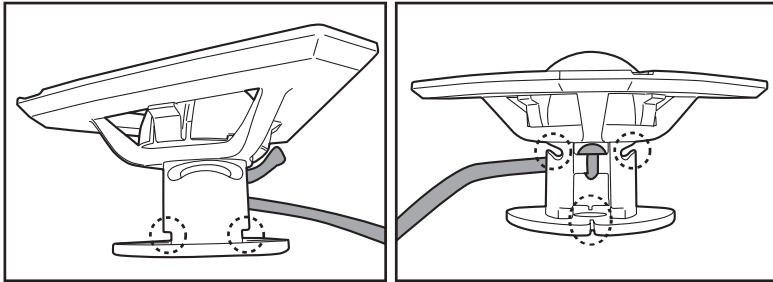
OPMERKING: Voor het beste resultaat wordt aanbevolen om de filtratie uit te schakelen voordat u de robot gebruikt.

WERKING

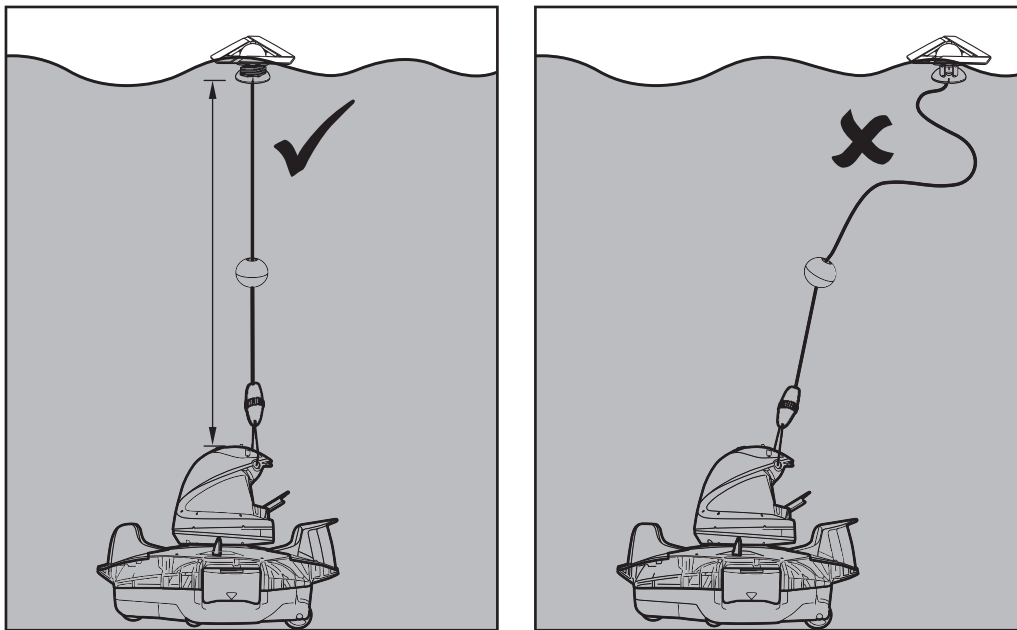
WAARSCHUWING!

- Zorg ervoor dat de robot eerst uitgeschakeld is.
- Zorg ervoor dat de filterdeksel op zijn plaats zit.
- Zorg ervoor dat de oplaadconnector is losgekoppeld voordat de robot in het zwembad wordt geplaatst.

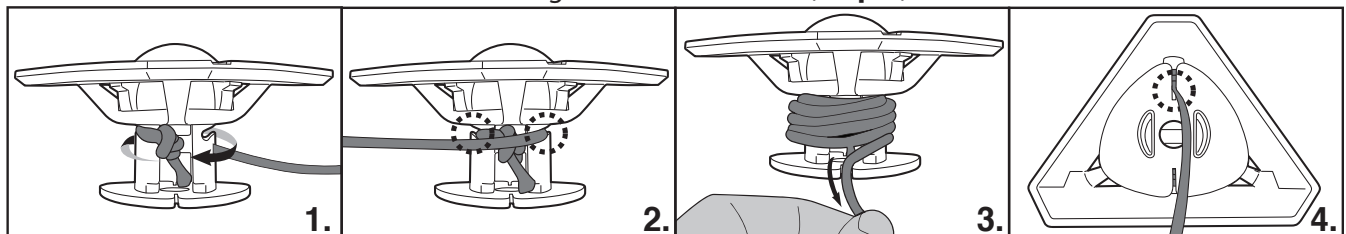
1. Breng de robot naar de rand van het zwembad. Opmerking: Plaats de robot alleen vanaf de zijwand (niet de hoek) in het zwembad en zorg ervoor dat hij naar buiten gericht is. Wikkel het ophaalkoord van de vlotter af (let op: er zijn zijdelingse inkepingen aan de boven- en onderkant van de steel en een smalle gleuf aan de onderkant).



De juiste lengte van het koord moet gelijk zijn aan de afstand tussen de bovenkant van de robot en het waterniveau. **OPMERKING:** Overtollige lengte kan het touw doen knikken en zo de prestaties beïnvloeden.

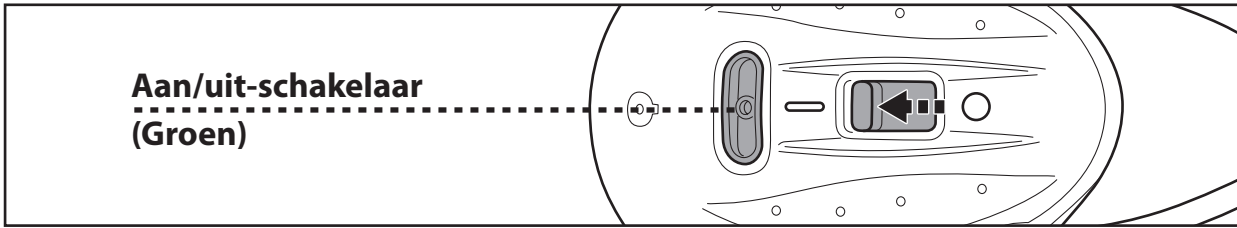


Lijn eerst het ophaalkoord uit en bevestig het aan de inkepingen aan de zijkant bovenaan en begin het koord in beide richtingen rond de steel te wikkelen (**stap 1 & 2**). Blijf het koord wikkelen tot de gewenste lengte is bereikt (**stap 3**). Trek het koord naar beneden naar de onderste gleuf en steek het erin (**stap 4**).



2. Als de robot is uitgeschakeld, dompel hem dan onder in het zwembad en schud hem een paar keer zachtjes om de afvoer van de lucht te vergemakkelijken. Overtollige lucht in de behuizing kan leiden tot een onregelmatig gedrag van de zwenkop (d.w.z. het herhaaldelijk draaien in het zwembad gedurende enkele minuten).

3. Schuif de stroomschakelaar op "AAN" (terwijl de robot nog ondergedompeld is) - het controlelampje gaat aan en activeert de motor automatisch (het waterniveau moet de sensoren onder de laadcontactplaten aan de achterkant van de zwenkop bedekken). Laat de robot naar de zwembadbodem zinken en observeer de eerste voorwaartse en achterwaartse bewegingen over de zwembadbodem. Als hij langs de zwembadwand loopt in plaats van loodrecht, haalt u hem op en zet u hem opnieuw in, terwijl u ervoor zorgt dat de voor-/achterzijde naar de zwembadwand is gericht.



Het controlelampje begint te knipperen wanneer het resterende batterijniveau minder dan 5 - 10 minuten bedraagt. Controlelampje:

Geen licht - Uitgeschakeld / geen stroom

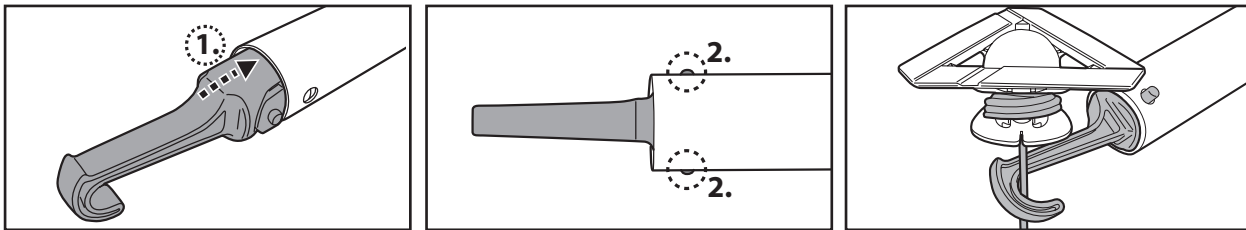
Licht - Ingeschakeld

Knipperend lampje - De batterijstroom is binnen 5 - 10 minuten op.

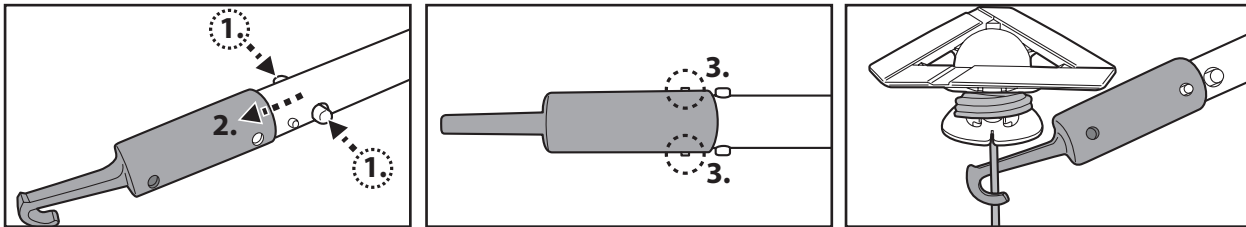
OPMERKING: Probeer nooit contact te maken met beide watersensoren met iets anders dan water.

4. Om de robot uit het zwembad te halen, bevestigt u de haak aan een uitschuifbaar steel (niet meegeleverd) en gebruikt u deze om de vlotter op te halen, als u deze niet met uw handen kunt ophalen.

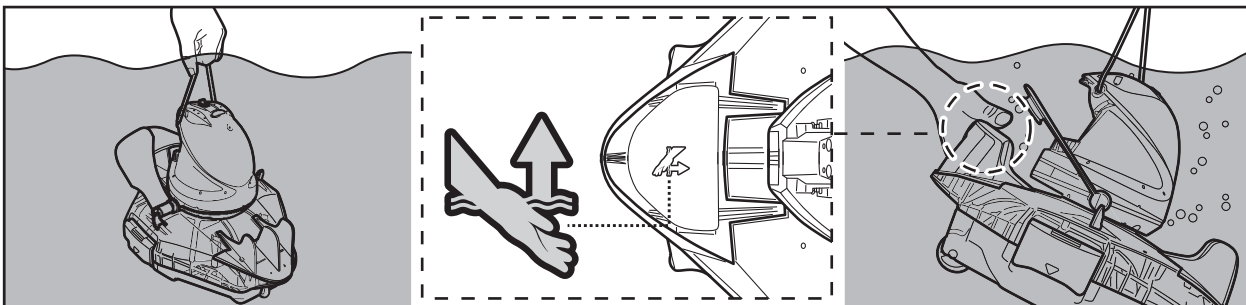
(alleen voor USA / EU - landen)



(alleen voor Australië / Nieuw - Zeeland)



Zodra uw hand de hijslus kan bereiken, grijpt u deze vast om de robot naar het wateroppervlak te tillen. Vervolgens pakt u de vin vast die is gemarkeerd met het hand symbool (zie onderstaande afbeelding) om het ophalen uit het zwembad te vergemakkelijken. Zorg ervoor dat u de robot altijd aan deze kant vastpakt om het water af te voeren en te voorkomen dat er vuil in het zwembad valt tijdens het ophalen.



5. Schuif de schakelaar in de UIT-positie. Spoel de robot na elk gebruik met schoon water. Gebruik GEEN schoonmaakmiddelen.
6. Droog de laadpoort en de laadcontactplaten grondig (TIPS: Gebruik een wattenstaafje om ze te drogen).

OPMERKING: Als uw zwembad zeer vuil is, is het voor de efficiëntste reiniging raadzaam de filterbak (in de robot) na een eerste werking van 30 minuten of telkens als de beweging van de robot merkbaar vertraagt, leeg te maken. Plaats de robot (met de leeggemaakte filterbak) dan terug in het zwembad en laat hem de overblijvende cyclus afwerken.

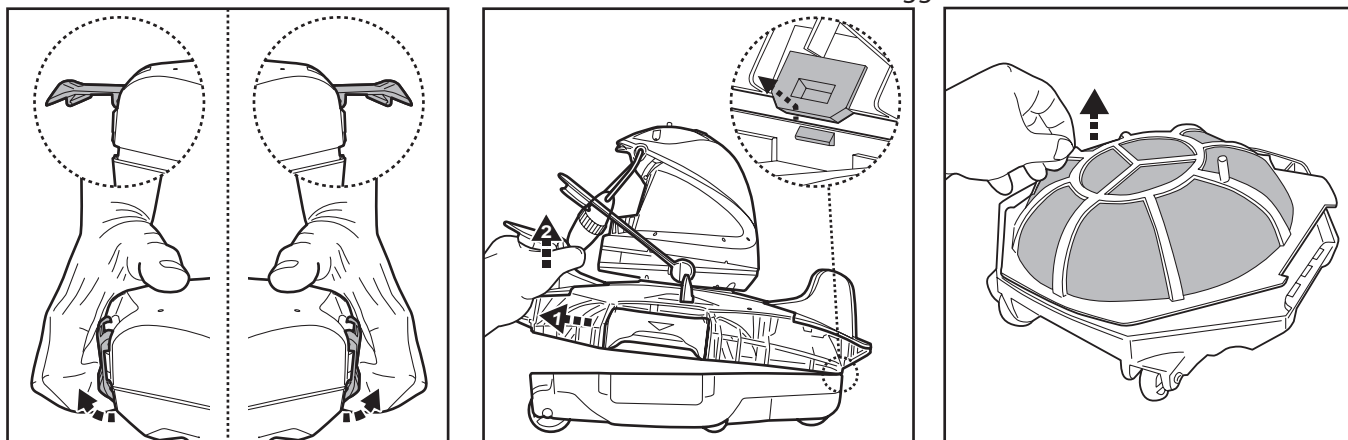
DE FILTERBAK LEEGMAKEN

WAARSCHUWING! Als u de robot zonder een filterdeksel gebruikt, **VERVALT** de garantie.

Om de reinigingsefficiëntie te maximaliseren, dient u de filterbak en het filterdeksel voor en na elk gebruik schoon te maken.

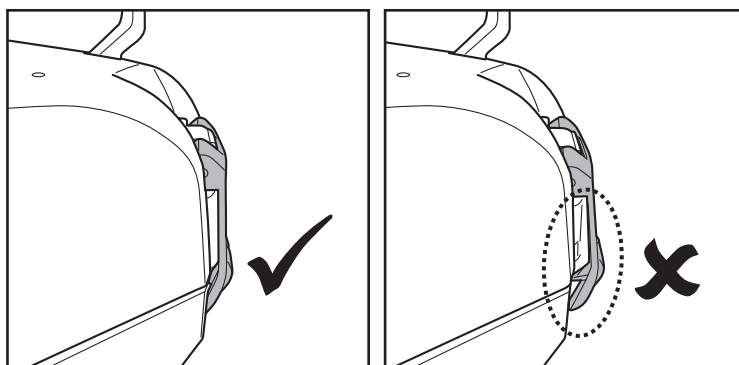
OPGELET! Voordat u de filterbak reinigt, moet u zich ervan vergewissen dat de robot **UIT** staat.

1. Plaats de reiniger op een vlakke ondergrond. Druk de zijkleppen open om het bovendeksel van de basis los te maken. Schuif het bovendeksel van de basis naar buiten om het filterdeksel bloot te leggen.



2. Maak het filterdeksel los en verwijder het vuil uit het compartiment. Het wordt aanbevolen om het filterdeksel schoon te maken met spatwater. Als borstelen noodzakelijk wordt geacht, gebruik dan alleen een zachte borstel om het filter voorzichtig te reinigen om beschadiging te voorkomen.

3. Controleer na het reinigen of het filterdeksel op zijn plaats zit en voer de bovenstaande stappen in omgekeerde volgorde uit om het bovendeksel opnieuw uit te lijnen met de basis. Druk op beide zijclips tot ze vastzitten op de basis. Een "klik" bevestigt dat het bovendeksel vastzit op de basis.



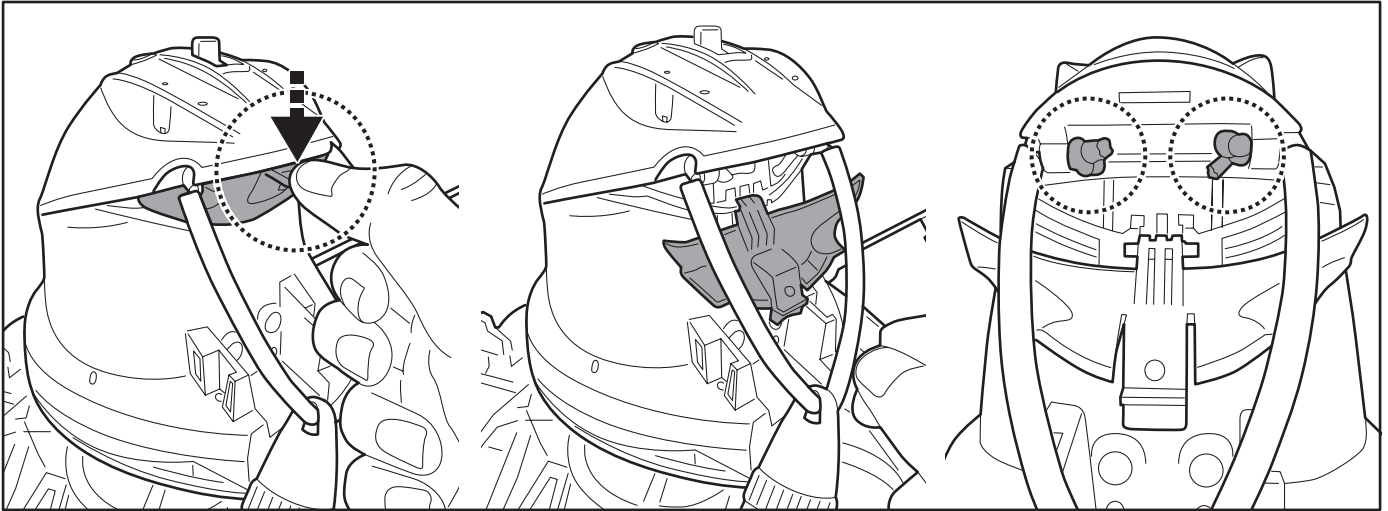
TIPS: Voordat u de reiniger weer in het zwembad plaatst, om er zeker van te zijn dat het bovendeksel goed vastzit op de basis.

OPGELET!

- Vervang een beschadigd filterdeksel onmiddellijk door een nieuw voor u de bodemzuiger weer gebruikt.
- Vervang een beschadigde ophaalkit onmiddellijk door een nieuwe voordat u het apparaat opnieuw gebruikt.
- Vervang een beschadigde zijklep onmiddellijk door een nieuwe vóór de volgende handling.

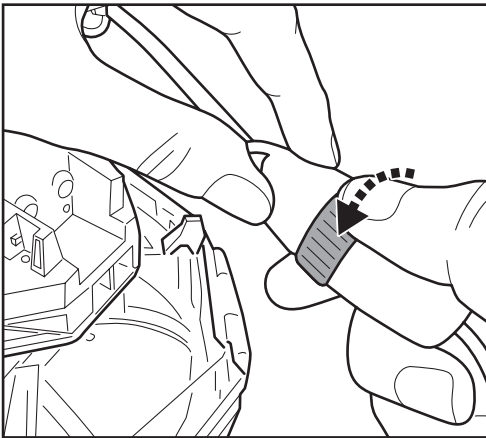
Vervanging van de hijslus

Druk op het lipje om het deksel los te maken. Knip de lus door en vervang hem door een nieuwe. Zorg ervoor dat beide uiteinden van de nieuwe lus zijn vastgezet met een knoop.

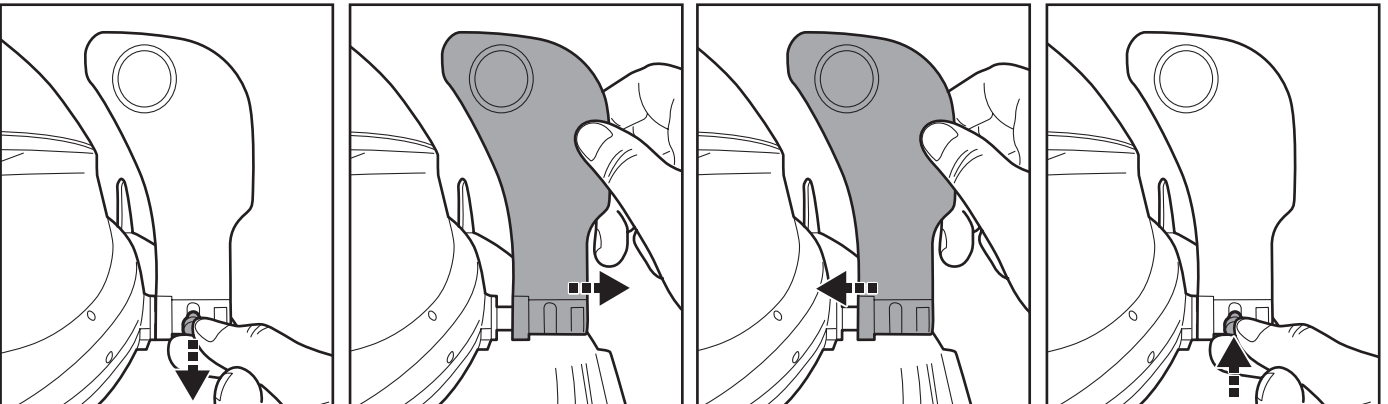


Vervanging van de ophaalkit

Zoek de schroefverbinding op de hijslus. Pak het uiteinde vast dat op de lus zit en maak de ring met schroefdraad los zoals afgebeeld om de verbinding los te maken. Herhaal de stappen om een nieuwe ophaalkit te installeren.



Vervanging van de zijklep



ONDERHOUD EN OPSLAG

OPMERKING:

- 1) Zorg ervoor dat u de plaatsen rond de laadpoort en de watersensoren na elk gebruik reinigt en droogt om de vorming van vlekken te voorkomen (bijproduct van een natuurlijke chemische reactie tussen elektrische stroom en water). Anders kunnen de vlekken worden verwijderd door licht te schrobben met een in citroensap of azijn gedrenkt wattenstaafje.
- 2) De batterij zal ontladen tijdens de opslag. Laad de robot tot ongeveer 30% - 50% van de laadcapaciteit op voordat u hem opbergt.
- 3) Herlaad de batterij minstens om de drie maanden wanneer hij niet in gebruik is.
 - Haal de externe adapter uit het stopcontact en de oplaadconnector uit de robot.
 - Verwijder alle toebehoren van de robot. Spoel indien nodig de robot en toebehoren met zuiver water. Gebruik GEEN schoonmaakmiddelen.
 - Laat het water uit de robot lopen alvorens hem te bewaren.
 - Gebruik een vochtige doek om de robot en toebehoren schoon te maken en af te drogen.
 - Bewaar ze in een goed verluchte ruimte, beschermd tegen zonlicht, hitte, ontstekingsbronnen en zwembadchemicaliën en buiten het bereik van kinderen. De omgevingstemperatuur moet 10°C – 25°C bedragen. NB: Bij een hogere temperatuur is het mogelijk dat de batterij minder lang meegaat.

WAARSCHUWING! U mag de zwenkknop in geen geval zelf demonteren om de interne onderdelen te vervangen. Hierdoor zou de garantie komen te vervallen, zou u zich kunnen blootstellen aan mogelijke gevaren en zou u het apparaat en andere elementen kunnen beschadigen.

OPGELET!

- Overdreven hitte kan schadelijk zijn voor de batterij en de levensduur van uw robot verkorten.
- Raadpleeg uw handelaar voor het vervangen van de batterij als het volgende gebeurt:
 - De batterij lijkt beschadigd of laadt niet volledig op.
 - De werkingstijd van de batterij is aanzienlijk korter. Noteer hoelang de batterij meegaat de eerste keren dat u het toestel gebruikt (na een volledige oplaadbeurt). Die duur kan dienen als referentie voor de werkingstijd van oudere batterijen.
- Verwijder de batterij uit de robot voor u deze wegwerpt.
- Koppel de robot los van het elektriciteitsnet wanneer u de batterij verwijdert.
- Voer de batterij veilig af, in overeenstemming met de plaatselijke voorschriften of reglementen.

NB: Wanneer de batterij niet correct wordt onderhouden, is het mogelijk dat zij minder lang meegaat en minder goed werkt.

DE BATTERIJ WEGWERPEN (Uit te voeren door een geautoriseerd technicus)

Uw robot is uitgerust met een onderhoudsvrije oplaadbare lithium-ionaccu, die correct moet worden afgevoerd. Recycling is verplicht; neem contact op met de plaatselijke overheid voor meer informatie.

WAARSCHUWING! Probeer nooit een accu te demonteren.

- Verwijder alle persoonlijke voorwerpen zoals ringen, armbanden, halskettingen en horloges voordat u de accu van de robot loskoppelt.
- Een batterij kan voldoende kortsluitstroom veroorzaken om een ring of dergelijke te versmelten met het metaal, met ernstige brandwonden als gevolg.
- Draag volledige oogbescherming, handschoenen en beschermende kleding wanneer u de accu verwijdert.
- Raak de kabels niet aan en zorg ervoor dat ze geen metalen voorwerpen raken, want dat kan vonken veroorzaken en/of kortsluiting in de batterij.
- Rook niet en vermijd vonken of vlammen in de nabijheid van de batterij of de robot.
- Stel de batterij niet bloot aan vuur of hitte, anders kan hij ontploffen.

OPGELET!

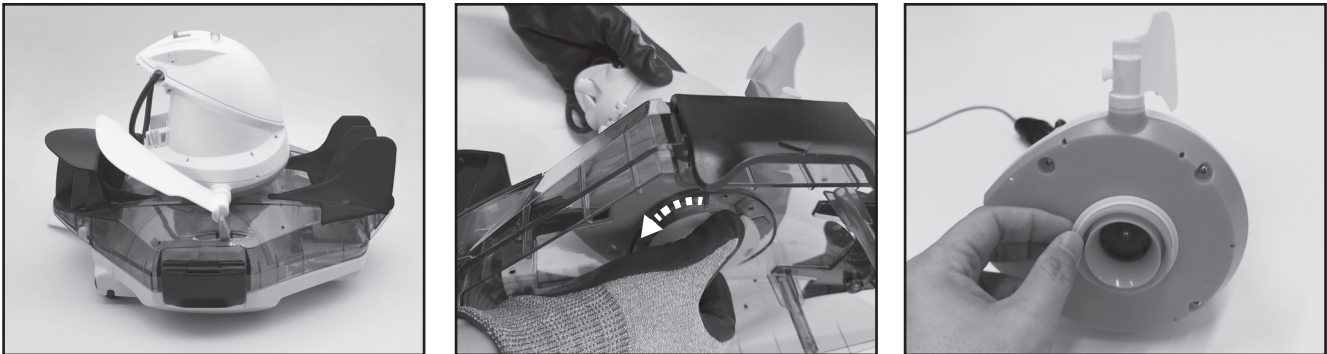
Wanneer er vloeistof uit de batterij lekt, is deze beschadigd. Raak de vloeistof niet aan en steek de beschadigde batterij in een plastic zak.

- Als de gelekte vloeistof toch in contact komt met huid of kleding, moet u deze onmiddellijk afwassen met zeep en water.
- Als de gelekte vloeistof in contact komt met de ogen: de ogen onmiddellijk spoelen met stromend water gedurende minstens 15 minuten, zonder te wrijven. Raadpleeg indien nodig een arts.

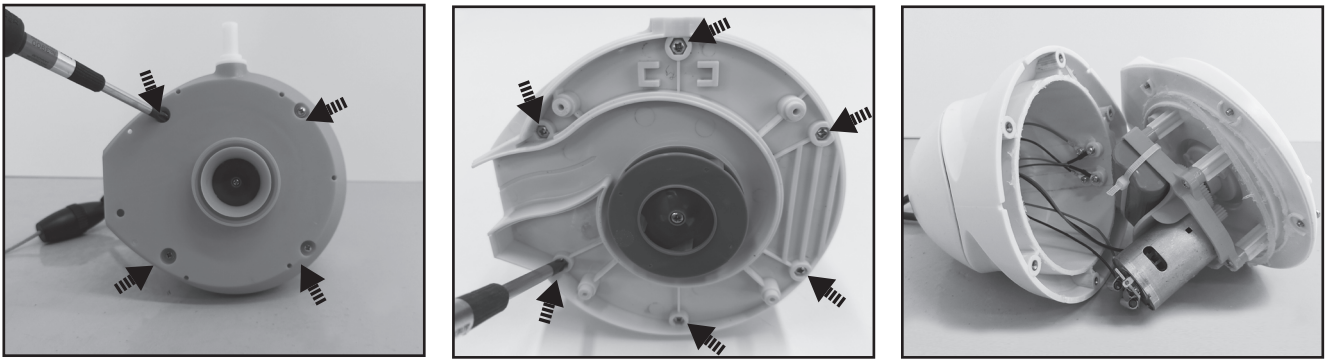
Hoe de accu te verwijderen, enkel voor het weggooien van de batterij (Uit te voeren door een geautoriseerd technicus)

Aanbevolen werktuigen (niet bijgeleverd): Schroevendraaier.

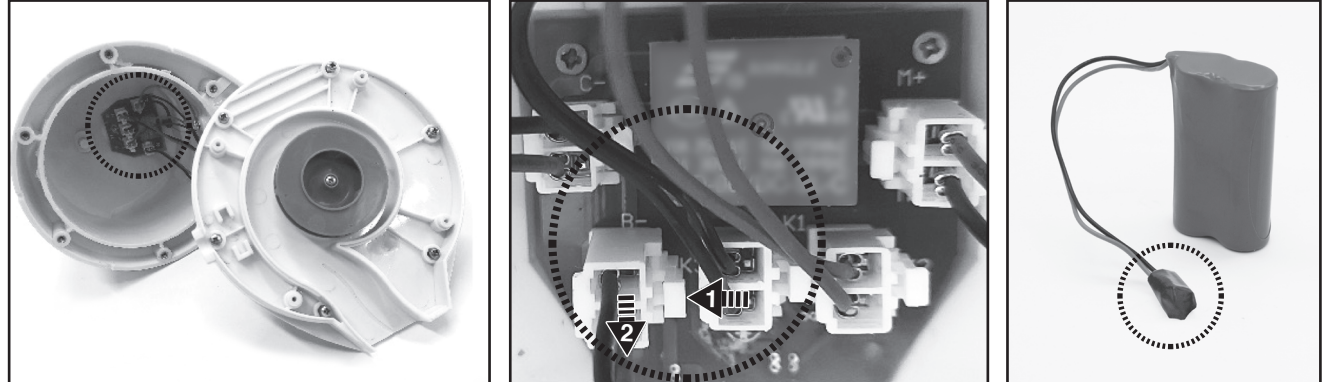
- 1) Volg de instructies van de handleiding in de rubriek "DE FILTERBAK LEEGMAKEN" om de bovenkap (voorgemonteerd met de zwenkkop) los te maken. Draai de onderste borgplaat tegen de wijzers van de klok in om de zwenkkop te ontgrendelen. Verwijder de zwenkring.



2. Gebruik de schroevendraaier om de 4 schroeven aan de onderkant van de kop los te schroeven om eerst de bodemplaat te verwijderen. Gebruik de schroevendraaier om alle schroeven op de basis los te draaien, zoals getoond wordt in de afbeelding. Wrik de basis los en verwijder ze om tot de kop aan de binnenkant vrijkomt.

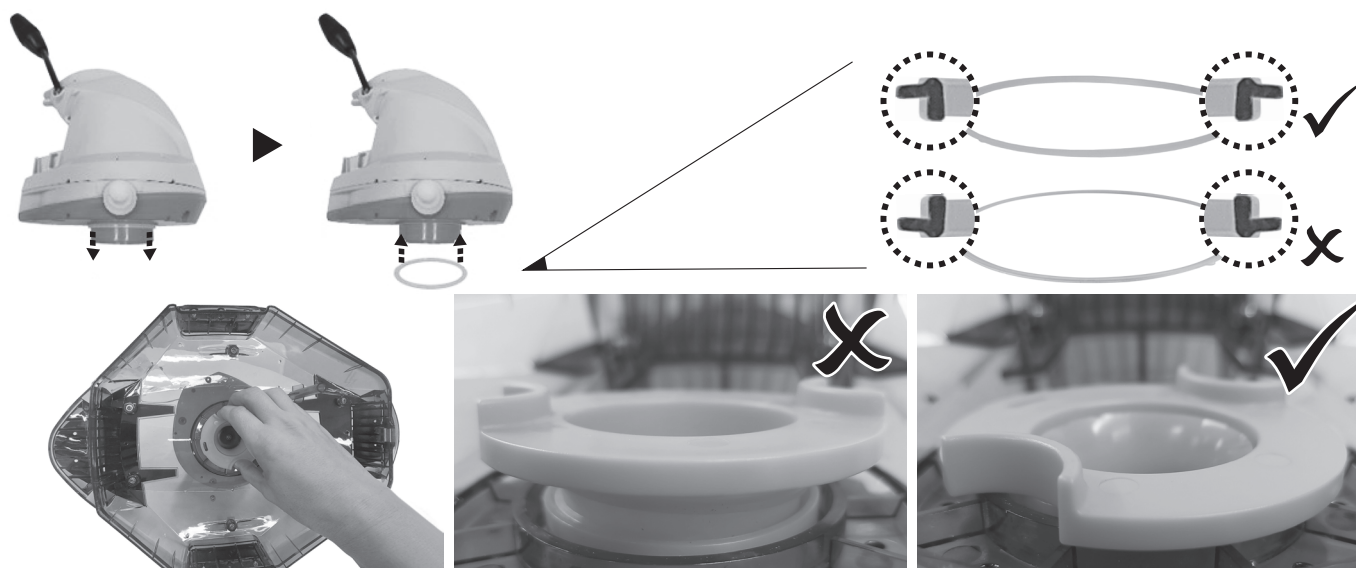


3. Verwijder de accu om bij de PCBA te kunnen. Druk op de clip van de connector en trek de connector weg om de voedingskabel van de batterij los te koppelen. **NB:** Wikkel onmiddellijk isolatieband rond de connector om kortsluiting tussen beide kabeluiteinden te voorkomen.



PROBLEMEN OPLOSSEN

Probleem	Mogelijke oorzaken	Oplossing
De robot begint niet te werken onder water	Watersensoren met vlekken	Gebruik een wattenstaafje gedrenkt in citroensap of azijn om de vlekken te reinigen en te verwijderen.
De robot zuigt geen vuil op	De batterij is bijna leeg	Laad de robot opnieuw op.
	De rotor is geblokkeerd	Schakel de robot uit en kijk in de opening onder de zwenkkop of er een groot stuk vuil in de rotor steekt. Neem indien nodig contact op met uw handelaar voor verdere instructies. WAARSCHUWING! Zorg ervoor dat de robot uitgeschakeld is wanneer het toestel wordt onderhouden.
	De zuigmond is verstopt	Verwijder verstopte voorwerpen uit de zuigmond.
	De rotor is defect	Neem contact op met je handelaar voor vervanging.
	De filterbak is vol	Maak zowel de filterbak als het filterdeksel schoon.
De robot is in het midden van het zwembad gestopt maar de zwenkkop draait nog	De robot is gestopt door een obstakel of grote plooien in de liner van het zwembad	Controleer of er iets is dat de reiniger belemmert. Verwijder het obstakel.
	De robot wordt gehinderd door de aanzuiging van de hoofdafvoer van de zwembadbodem	Schakel het filtratiesysteem uit zoals aangegeven in de handleiding.
De zwenkkop draait herhaaldelijk 360 graden	Lucht opgesloten in de robot	Dompel de robot onder in het zwembad terwijl hij nog uitgeschakeld is en schud er een paar keer zachtjes mee om de afvoer van de lucht te vergemakkelijken voordat hij wordt ingeschakeld (terwijl de robot nog ondergedompeld is). De zwenkkop kan kortstondig herhaaldelijk draaien zodra de reiniger naar de bodem van het zwembad zakt. Dit fenomeen zal stoppen zodra de lucht die in de reiniger is ingesloten, wordt afgevoerd. De robot zal dan regelmatig beginnen te bewegen.
De robot dekt niet het hele zwembad	De filterbak is vol	Maak de reiniger schoon.
	De werkingstijd is korter dan verwacht	Maak de filterbak schoon en laad de robot opnieuw op gedurende 6 uur.
	De bewegingsrichting is onderbroken door de watercirculatie gegenereerd door de filterinstallatie	Schakel het filtratiesysteem (zoals aangegeven in de filterhandleiding) ten minste 15 minuten voor het gebruik van de robot uit.
	Het wiel zit vast	Verwijder het vuil van het wiel.
	De positie van het voorwiel is niet goed ingesteld	Volg de instructies om de positie van het voorwiel af te stellen.
	Algen maken de bodem van het zwembad glad waardoor de robot in cirkels beweegt	Schrob de zwembadbodem en robotwielen schoon om de algen te verwijderen.
De robot beweegt zich langs de zwembadwand	De positie van het voorwiel is niet goed ingesteld / de robot staat bij aanvang in de verkeerde richting	Volg de instructies om de positie van het voorwiel aan te passen. Zorg ervoor dat de voor- en achterkant van de robot bij aanvang naar de zwembadwand gericht zijn.
Robot beweegt langzaam of helemaal niet	Het vuilniscompartiment is vol of het filterdeksel is verstopt	Reinig het vuilniscompartiment. Spoel het scherm met water om kleine deeltjes te verwijderen. Als een borstel nodig wordt geacht, gebruik dan een zachte borstel om het scherm voorzichtig te reinigen. Opmerking: zorg ervoor dat het filterdeksel op zijn plaats zit vóór het volgende gebruik.
	De zuigmond is verstopt	Verwijder verstopte voorwerpen uit de zuigmond.
	De rotor is vastgelopen	Schakel de robot uit en controleer het gat onder de zwenkkop om te zien of de rotor vastzit door groot vuil. Neem indien nodig contact op met uw dealer voor verdere instructies. WAARSCHUWING! Zorg ervoor dat de robot uitgeschakeld is voordat het apparaat wordt onderhouden.
De zwenkkop draait niet of draait merkbaar trager	De zijklep komt niet omhoog	Controleer en verwijder het vuil dat eventueel de beweging van de klep belemmert. Schakel de filtratie van het zwembad uit om te voorkomen dat de zijflapbeweging verstoord wordt door de watercirculatie.
	De onderkant van de zwenkkop is vastgelopen	Maak de zwenkkop en de afvlakring los volgens de instructies in het hoofdstuk " De accu verwijderen " uit de handleiding, en: - Verwijder vastzittend vuil - Controleer de afvlakring op mogelijke beschadigingen en slijtage. Vervang indien nodig door een nieuwe ring. - Controleer of de afvlakring en bodemplaat correct geïnstalleerd zijn. (zie onderstaande schema's)



Probleem	Mogelijke oorzaken	Oplossing
Er komt vuil uit de robot	De klep van de zuigmond (aan de onderkant van de reiniger) is beschadigd	De klep van de zuigmond werkt als een deur om te vermijden dat het vuil uit de filterbak ontsnapt. Neem contact op met uw handelaar voor reserveonderdelen en instructies.
	Verwijder verstopt vuil uit de zuigmond	Het vuil zit verstopt bij de zuigmond en voorkomt dat de klep zich sluit.
Het vuil ontsnapt via het filterdeksel	Het gaas van het filterdeksel is beschadigd	Vervang deze door een nieuw filterdeksel van uw dealer.
De ronde vlotter zinkt	Beschadigde vlotter en waterlekage	Vervang door een nieuwe vlotter van uw dealer.
Ophaalkoord is geknikt	De lengte van het ophaalkoord is te lang	Stel de lengte in volgens de instructies in de handleiding.
Duur van de reinigingscyclus is korter dan vermeld	De batterij is niet volledig opgeladen	Laad de robot minstens 6 uur op. OPMERKING: als er vlekken op de laadcontactplaten worden aangetroffen, verwijder deze dan met behulp van een in citroensap of azijn gedrenkt wattenstaafje.
De robot kan niet worden opgeladen / heropgeladen	De batterij is beschadigd	Neem contact op met uw handelaar om de batterij te laten vervangen. WAARSCHUWING! Open de robot NIET om de batterij zelf te vervangen. Dat kan ernstige of dodelijke verwondingen veroorzaken en annuleert de garantie.
	De oplaadconnector is niet volledig aangesloten op de robot	Zorg ervoor dat de oplaadconnector goed en volledig is aangesloten op de robot. Raadpleeg de handleiding.
	De externe adapter is defect	Neem contact op met uw handelaar om de adapter te laten vervangen. WAARSCHUWING! Het gebruik van de verkeerde externe adapter kan leiden tot beschadiging van de robot / batterij en het vervallen van de garantie.
Milieuprogramma's, Europese AEEA-richtlijn		
	Gelieve de regelgeving van de Europese Unie na te leven en zo het milieu te beschermen. Voer afgedankte elektrische apparatuur af naar een speciaal gemeentelijk inzamelpunt dat elektrische en elektronische apparatuur correct recyclet. Werp het niet weg bij ongesorteerd afval. Haal eventuele verwijderbare batterijen uit de afgedankte apparatuur.	
	Alle rechten voorbehouden. Niets van dit document mag worden vermenigvuldigd of doorgegeven in welke vorm of op welke wijze dan ook, zij het elektronisch, mechanisch, op fotokopie, opgenomen of op enige andere wijze, zonder de voorafgaande schriftelijke toestemming van Kokido Development Ltd. (L-25010013)	

Als een kopie van deze handleiding vereist is, neem dan contact op met onze klantenservice via e-mail: customerservice@kokido.com

BEWAAR DEZE HANDLEIDING


Poznámka: V závislosti na modelu, který vlastníte, nemusí být příslušenství/díly uvedené v této příručce nutně součástí každého modelu. Produkt/díly na fotografiích/nákresech se mohou lišit podle zakoupeného modelu. Podívejte se na výkres náhradních dílů, abyste porozuměli dílům obsaženým ve vašem zakoupeném modelu.

BEZPEČNOSTNÍ VAROVÁNÍ A POKYNY

Informace obsažené v tomto návodu k obsluze vám pomohou bezpečně obsluhovat předmět, chránit sebe i ostatní před nebezpečím a zabránit poškození zařízení a jiného majetku.

USCHOVEJTE TYTO POKYNY

VAROVÁNÍ!

- Nejedná se o HRAČKU. Děti by měly být uchovávány mimo dosah tohoto robota a jeho příslušenství.
- Nikdy nedovolte dětem obsluhovat tento výrobek.
- Tento spotřebič není určen k použití osobami se sníženými fyzickými, smyslovými, duševními schopnostmi nebo nedostatkem zkušeností a znalostí, pokud na ně není dohlížen nebo nejsou poučeny o bezpečném používání spotřebiče a nerozumí nebezpečím způsobeným osobou odpovědnou za jejich bezpečnost.
- Děti si s tímto výrobkem nesmí hrát.
- Čištění a údržbu robota nesmí provádět děti.
- Před zahájením práce se ujistěte, že je robot zcela ponořen do bazénu. Minimální hladina vody potřebná k provozu robota musí sahát nad otočnou hlavu robota. Provoz robota, když není správně ponořen, může poškodit jednotku a zneplatnit záruku.
- Maximální provozní hloubka ve vodě je 3 metry (9,8 stop).
- Provozní teplota vody: 5°C (41°F) – 35°C (95°F).
-  Odnímatelná napájecí jednotka (externí adaptér).
- Robot by měl být nabíjen pouze externím adaptérem (již připojeným k nabíjecímu konektoru) dodávaným s tímto produktem.
- Připojte externí adaptér ke zdroji napájení prostřednictvím rezidenčního proudového zařízení (RCD) / přerušovače obvodu zemního spojení (GFCI). V případě pochybností se poraďte s kvalifikovaným elektrikářem.
- Nepoužívejte tohoto robota, pokud je zjištěno jakékoli poškození.
- Vyměňte poškozené díly za díly, které jsou certifikovány distributorem nebo výrobcem.
- Před prováděním pravidelné údržby – jako je čištění filtru, otočného vyhlazovacího kroužku a oblastí kolem vodních senzorů a nabíjecího portu – odpojte robota od napájecí sítě a ujistěte se, že je vypnutý.

- Nepokoušejte se vyměnit nainstalovaný dobíjecí lithium-iontový akumulátor.
- NEMANIPULUJTE s robotem, externím adaptérem a nabíjecím konektorem, pokud se nabíjí mokkými končetinami a bez bot.
- Zajistěte, aby se děti nepokoušely získat přístup k robotovi, když je v provozu.
- Nedoporučuje se vstupovat do bazénu, když robot pracuje, aby nedošlo k poškození robota.
- NEPOUŽÍVEJTE tohoto robota bez neporušeného filtru, jinak bude vaše záruka neplatná.
- Nebezpečí zachycení sání: Tento robot generuje sání. Nedovolte, aby se vlasy, tělo a jakékoli volné části vašeho oděvu dostaly do kontaktu se sacím otvorem robota během jeho provozu.
- Nikdy nevkládejte části těla, oděv a jiné předměty do otvorů a pohyblivých částí robota.
- NEPOUŽÍVEJTE tohoto robota k vysávání toxických látek, hořlavých a hořlavých kapalin (tj. benzínu) v přítomnosti výbušných nebo hořlavých výparů.
- V žádném případě nerozebírejte otočnou hlavu a nevyměňujte její vnitřní součásti sami. Pokud tak učiníte, dojde ke ztrátě záruky, vystavíte se potenciálním nebezpečím a případně poškodíte zařízení a další vlastnosti.
- Nikdy nevkládejte prsty ani žádné předměty, abyste se dotýkali oběžného kola.
- Vestavěnou baterii musí před sešrotováním vyjmout zkušený technik.
- Tento robot obsahuje baterie, které mohou vyjmout pouze kvalifikované osoby.
- Robot musí být odpojen od elektrické sítě, protože je vyjmuta baterie.
- Podrobnosti týkající se recyklace/likvidace baterií naleznete v části "LIKVIDACE BATERIÍ" v této příručce a další informace vám poskytnou místní úřady.
- Baterie musí být bezpečně zlikvidována v souladu s místními nařízeními nebo předpisy.
- Externí adaptér a nabíjecí konektor:
 - Externí adaptér a nabíjecí konektor nikdy nepoužívejte k ničemu jinému než k nabíjení baterie robota, která je dodávána ve stejném balení.
 - Externí adaptér a nabíjecí konektor by neměly být používány venku, ani by neměly být vystaveny dešti, vlhkosti a kapalinám nebo teplu.
 - Transformátor (nebo externí adaptér) musí být umístěn mimo zónu 1.
 - Externí adaptér a nabíjecí konektor uchovávejte mimo dosah dětí.
 - Nikdy nepoužívejte externí adaptér a nabíjecí konektor, pokud je zjištěno jakékoli poškození.

- NEMANIPULUJTE s externím adaptérem a nabíjecím konektorem mokřými rukama.
- Pokud externí adaptér nepoužíváte, udržujte jej odpojený od napájení.
- Nikdy se nepokoušejte vypáčit externí adaptér a nabíjecí konektor.
- Pokud je napájecí kabel externího adaptéru poškozen, musí být externí adaptér vyměněn výrobcem nebo jeho servisním zástupcem, aby se předešlo nebezpečím jakéhokoli druhu.
- Před nabíjením se ujistěte, že je robot zcela suchý.

OPATRNOST!

- Tento robot je určen pouze pro použití pod vodou; Nejedná se o univerzální vysavač. NEPOKOUŠEJTE se jej používat k čištění čehokoli jiného než vašeho bazénu.
- Používejte pouze originální příslušenství dodané s tímto produktem.
- NEPOUŽÍVEJTE tohoto robota hned po šoku v bazénu. Doporučuje se nejprve nechat bazén cirkulovat po dobu nejméně 24 - 48 hodin.
- Pokud plánujete používat robota v bazénu se slanou vodou, ujistěte se, že je před nasazením robota rozpuštěna veškerá sůl.
- NEPOUŽÍVEJTE tohoto robota s jiným automatickým čističem/čističem současně v bazénu.
- Před nasazením robota odstraňte z bazénu tvrdé a ostré předměty, aby nedošlo k poškození robota a jeho filtru.
- Aby nedošlo k poškození externího adaptéru a nabíjecího konektoru, nepokoušejte se robota přenášet za kabel externího adaptéru / nabíjecího konektoru ani za kabel netahejte, abyste jej odpojili od zdroje napájení a nabíjecího konektoru.
- Nabíjejte robota uvnitř v čistém a suchém prostoru s dobrým větráním a mimo dosah slunečního záření.
- NENECHÁVEJTE robota nabitého déle než 10 hodin.
- Pokud nebudete robota delší dobu používat, odpojte jej od nabíjecího konektoru a pomocí vlhkého hadříku robota a jeho příslušenství vyčistěte a osušte. Před uložením se ujistěte, že je robot nabitý na přibližně 30 % až 50 % kapacity baterie. Skladujte jej na dobře větraném místě mimo dosah slunečního záření, tepla, zdrojů vznícení, bazénových chemikálií a dětí. Nabíjte robota každé tři měsíce.
- Veškeré úkony týkající se demontáže otočné hlavy (tj. likvidace baterií) by měl provádět pouze autorizovaný technik.

Výše uvedená varování a upozornění nejsou určena k tomu, aby zahrnovala všechny možné případy rizik a / nebo vážných zranění. Majitelé bazénů / vířivek by měli při používání produktu vždy dbát zvýšené opatrnosti a zdravého rozumu.

Robot má ve spodní části otočné hlavy trysku pro pohon vody. Voda je nejprve nasávána sacím hrdlem ve spodní části robota, které následně prochází filtrem a je odváděno přes hnací trysku. Vodní tryska tryskající z trysky pohání robota vpřed. Jakmile se robot zastaví o překážku, jako je stěna bazénu, jeho boční klapka se zhoupne a jeho otočná hlava se otočí o 180°, což umožňuje robotu pohybovat se v opačném směru. Robot se pohybuje v zásadě rovně v jednom směru a v obloukovém tvaru v druhém směru. Robot při pohybu vysává dno bazénu a shromažďuje nečistoty ve své přihrádce.

ZAČÍNÁME

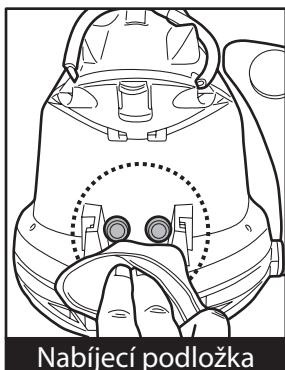
Nabíjení baterie

DŮLEŽITÉ UPOZORNĚNÍ: Před prvním použitím robota plně nabijte (asi 6 hodin).

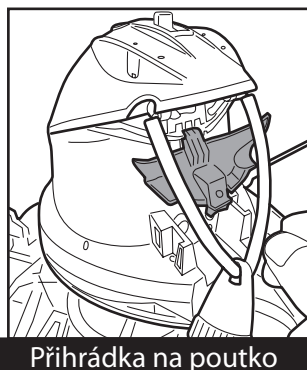
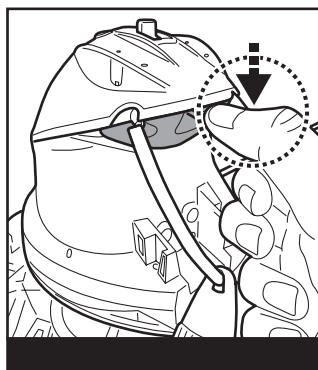
VAROVÁNÍ!

- Používejte pouze dodaný originální externí adaptér a nabíjecí konektor.
- Před nastavením a nabíjením se ujistěte, že robot (zejména přihrádka zvedací smyčky) a nabíjecí port jsou čisté a suché.

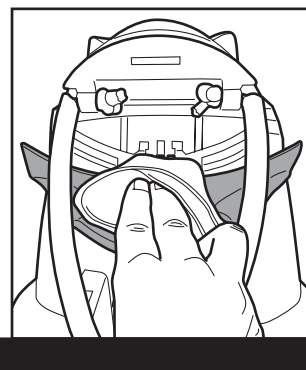
(TIPY: K vysušení nabíjecího portu a nabíjecích podložek použijte vatovou tyčinku.)



Nabíjecí podložka

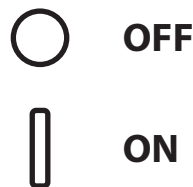
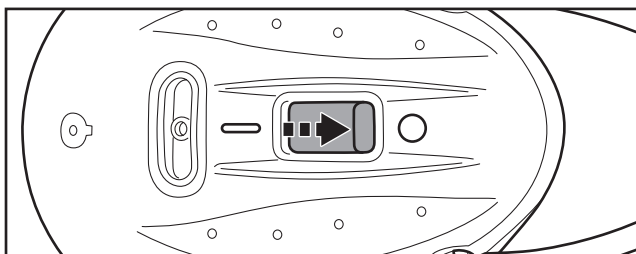


Přihrádka na poutko

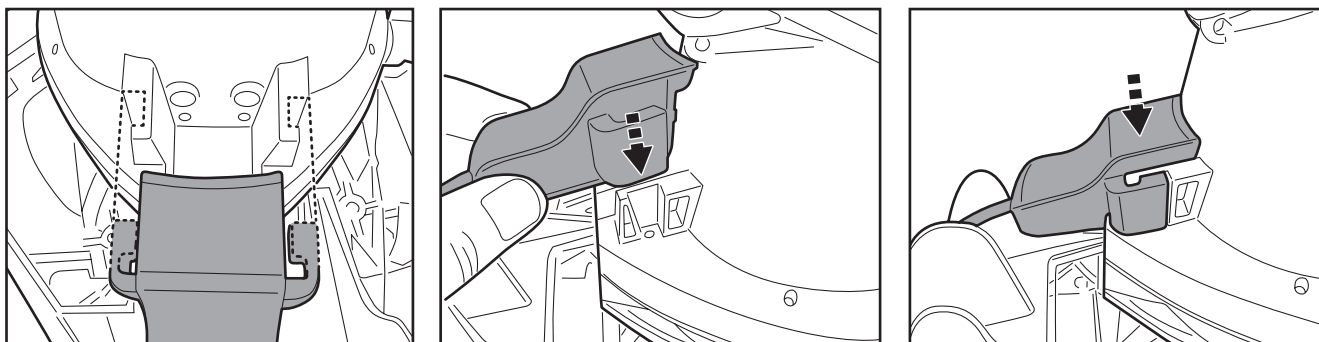


- Nabíjecí podložky jsou vodotěsné. Zbytky vody v přístavu a kolem podložek by však mohly mít za následek přirozený výskyt skvrn (vedlejší produkt chemické reakce mezi vodou a elektrickým proudem). V opačném případě lze skvrny odstranit lehkým drhnutím vatovou tyčinkou namočenou ve šťávě z citronu nebo octa.

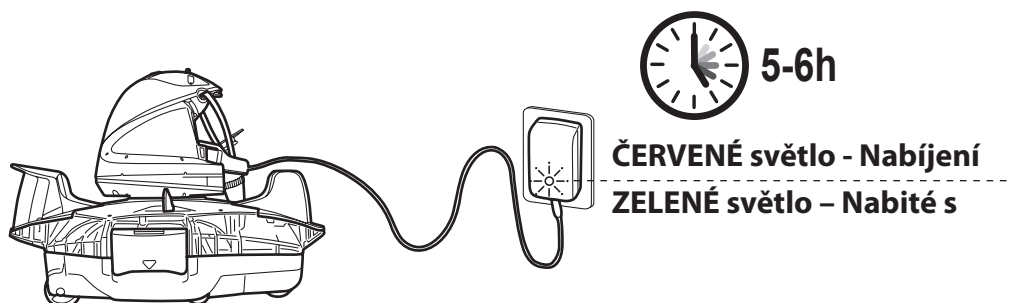
1. Umístěte jednotku na rovný povrch. Posuňte spínač do polohy **OFF**.



2. Zarovnejte nabíjecí konektor s nabíjecím portem podle obrázku. Nabíjecí konektor zatlačte až na doraz. **VAROVÁNÍ!** Před nabíjením se ujistěte, že nabíjecí konektor i nabíjecí port jsou čisté a suché. **TIP:** K vysušení nabíjecího portu a podložek použijte vatovou tyčinku.



3. Připojte externí adaptér ke zdroji napájení. Po zahájení nabíjení se kontrolka na externím adaptéru rozsvítí červeně. Kontrolka na externím adaptéru se po nabití robota rozsvítí zeleně.



- Pokud zjistíte některý z následujících příznaků, okamžitě odpojte externí adaptér od zdroje napájení:
 - Urážlivý nebo neobvyklý zápach
 - Nadměrné teplo
 - Deformace, praskliny, netěsnosti
 - Kouř
4. Po dokončení nabíjení odpojte externí adaptér od zdroje napájení a odpojte nabíjecí konektor od jednotky. Za normálních okolností může robot pracovat až 90 minut při plném nabití.

POZNÁMKA: Pravidelně čistěte přihrádku na nečistoty. Nadměrné množství nečistot uvnitř prostoru pro nečistoty zvyšuje zátěž provozu motoru a v důsledku toho zkracuje dobu provozu.

POZNÁMKA: Dobíjecí lithium-iontová baterie je klasifikována jako spotřební materiál. Má omezenou životnost a postupně ztratí schopnost udržet náboj. Proto se doba chodu robota bude po opakovaném nabíjení a vybíjení po celou dobu jeho životnosti postupně zkracovat.

Jakmile životnost baterie dosáhne svého konce, přečtěte si část **“LIKVIDACE BATERIE”**, kde najdete pokyny týkající se likvidace baterie a výměny otočné hlavy.

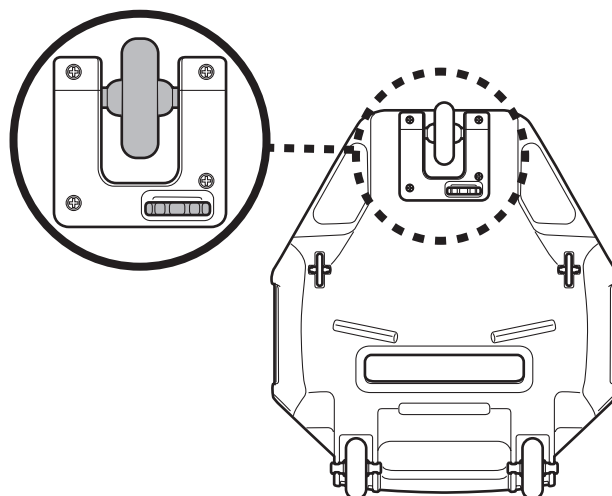
POZNÁMKA: Před opětovným nabíjením nechte robota odpočívat přibližně 30 až 40 minut.

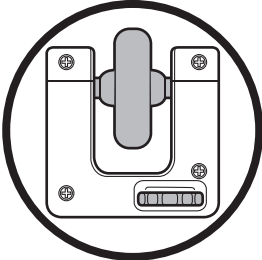
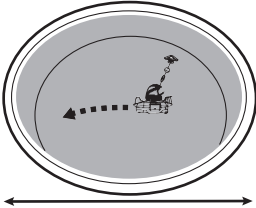
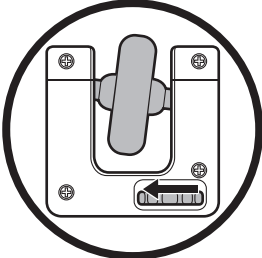
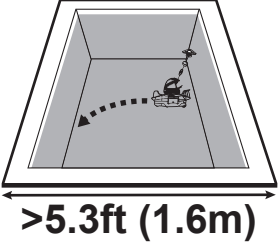
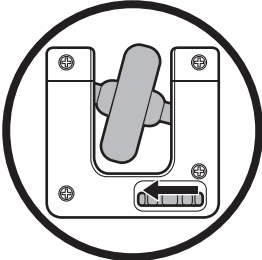
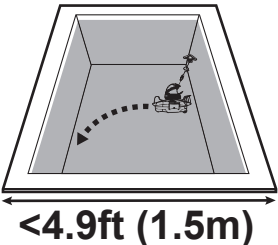
Nastavení před použitím

Úprava trajektorie

Trajektorii robota určuje poloha předního kola na dráze, kterou lze nastavit otáčením knoflíku doleva nebo doprava.

Začněte s předním kolem v navrhované poloze. V případě potřeby můžete vyzkoušet jinou polohu, která bude vyhovovat vašemu bazénu.



Poloha předního kola	Velikost/tvar bazénu
	
	
	

Příprava bazénu

- Pokud jsou na spodní straně vložky v kontaktu kameny, kořeny nebo koroze kovů, před použitím robota je zlikvidujte. V případě potřeby vyhledejte pomoc kvalifikovaného odborníka.
- Pokud je vložka křehká, poškozená nebo pomačkaná, obraťte se před použitím robota na kvalifikovaného odborníka, aby provedl nezbytné opravy nebo provedl výměnu vložky.
- Odstraňte z bazénu všechny bazénové žebříčky, povrchový skimmer a další plovoucí předměty, protože mohou bránit pohybu plováku robota a následně také pohybu robota.
- Pokud používáte bazén se slanou vodou, ujistěte se, že je veškerá sůl rozpuštěna, než robota umístíte do vody.

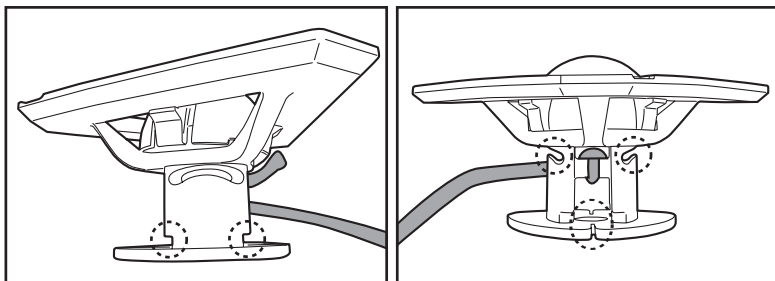
POZNÁMKA: Pro dosažení nejlepších výsledků se doporučuje před použitím robota vypnout filtraci.

OPERACE

VAROVÁNÍ!

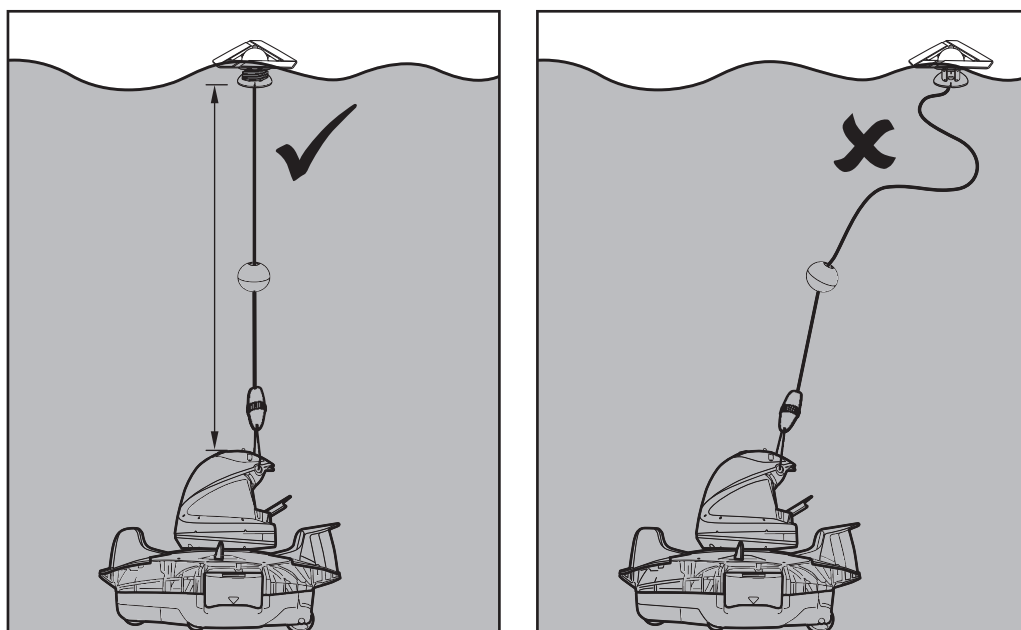
- Ujistěte se, že je robot vypnutý.
- Ujistěte se, že je kryt filtru na svém místě.
- Před nasazením robota do bazénu se ujistěte, že je nabíjecí konektor odpojen.

1. Přeneste robota na stranu bazénu. POZNÁMKA: Robota nasazujte pouze ze strany bazénu (nikoli z rohu bazénu) a ujistěte se, že při tom směřuje ven. Rozmotejte vytahovací šňůru z plováku (poznámka: v horní a dolní části představce jsou boční zářezy a ve spodní části úzká štěrbina).

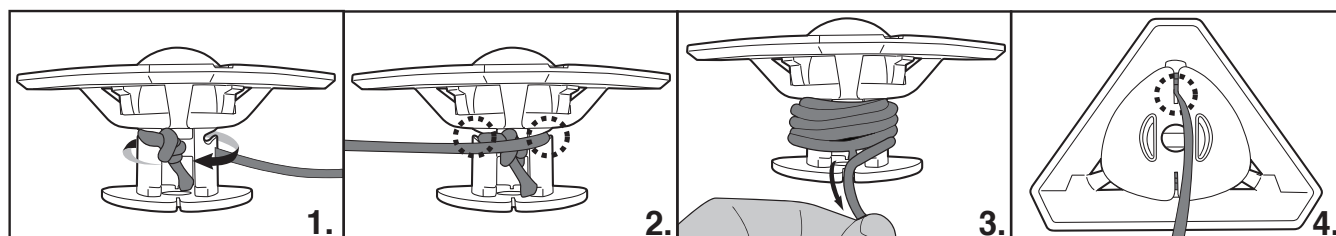


Správná délka lana by měla být ekvivalentní vzdálenosti mezi horní částí robota a vodní hladinou.

POZNÁMKA: Nadměrná délka může lano zalomit a v důsledku toho ovlivnit výkon.

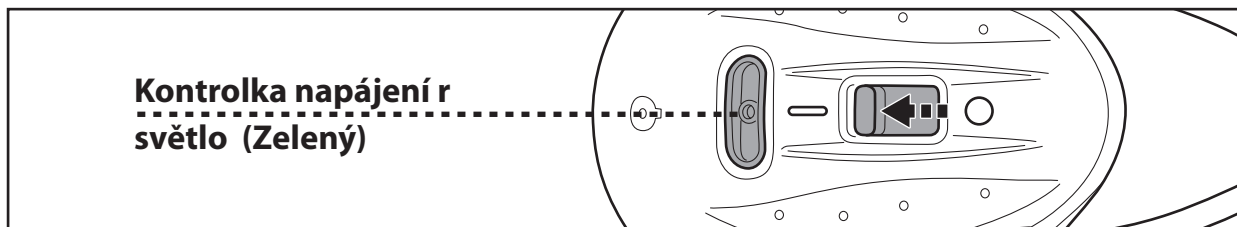


Nejprve zarovnejte a připevněte vytahovací šňůru k bočním zářezům nahoře a začněte omotávat šňůru kolem stonku v obou směrech (**krok 1 a 2**). Pokračujte v omotávání kabelu, dokud nedosáhnete požadované délky (**krok 3**). Vytáhněte kabel dolů do spodního otvoru a zasuněte jej dovnitř (**krok 4**).



2. Když je robot vypnutý, ponořte jej do bazénu a několikrát s ním jemně zatřeste, abyste usnadnili vypouštění vzduchu. Přebytečný vzduch zachycený v těle by mohl mít za následek nevyzpytatelné chování otočné hlavy (tj. opakované otáčení v bazénu po dobu několika minut).

3. Posuňte hlavní vypínač do polohy "ON" (když je robot ponořený) – kontrolka se automaticky rozsvítí a aktivuje motor (hladina vody musí zakrývat senzory pod nabíjecími podložkami na zadní straně otočné hlavy). Nechte robota klesnout na dno bazénu a pozorujte jeho první pohyby vpřed a vzad po dně bazénu. Pokud běží podél stěny bazénu místo kolmo, vytáhněte jej a znovu rozmístěte, přičemž se ujistěte, že jeho přední/zadní strana směřuje ke stěně bazénu.



Kontrolka napájení začne blikat, když zbývá 10 minut používání. Kontrolka napájení:

Žádné světlo - Vypnuto / žádné napájení

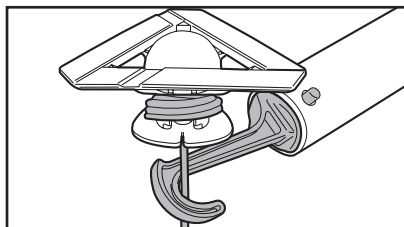
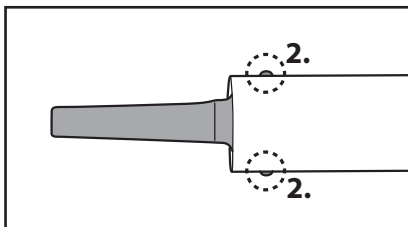
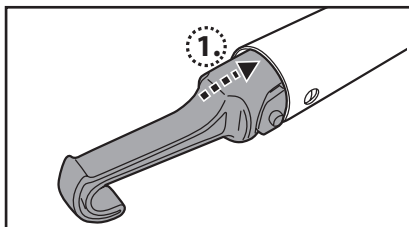
Světlo - zapnutí

Blikající kontrolka - Baterie se vybití do 10 minut.

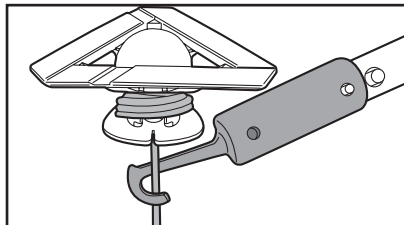
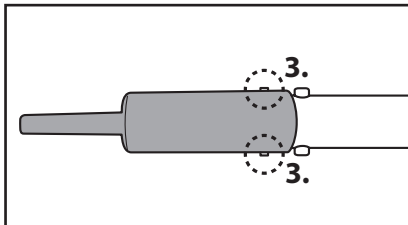
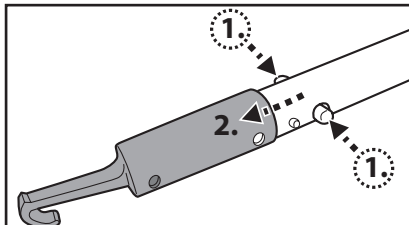
POZNÁMKA: Vyvarujte se jakéhokoli fyzického kontaktu s oběma vodními senzory.

4. Chcete-li robota vytáhnout z bazénu, připevněte háček k teleskopické tyči (není součástí dodávky) a použijte jej k vytažení plováku, pokud se vám to nedaří vytáhnout rukama.

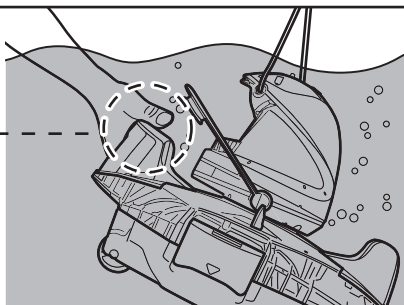
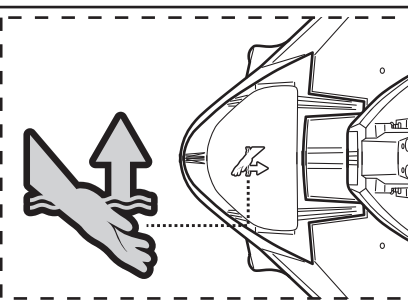
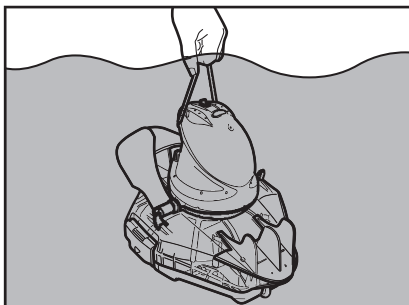
(pouze pro EU a USA)



(pouze pro Austrálii / Nový Zéland)



Jakmile vaše ruka dosáhne na zvedací smyčku, uchopte ji, abyste zvedli robota na vodní hladinu, a poté uchopte ploutev označenou symbolem ruky (viz obrázek níže), abyste usnadnili vytažení z bazénu. Vždy uchopte robota z tohoto konce, abyste vypustili vodu a zabránili tomu, aby nečistoty během vytahování spadly zpět do bazénu.



5. Vypněte hlavní vypínač. Po každém použití robota opláchněte čistou vodou. **NEPOUŽÍVEJTE** žádný čisticí prostředek.

6. Nabíjecí port a podložky důkladně osušte (TIPY: K jejich vysušení použijte vatovou tyčinku).

POZNÁMKA: Aby bylo zajištěno co nejúčinnější čištění, když je váš bazén docela špinavý, doporučuje se vyprázdnit nečistoty. Po prvních 30 minutách provozu nebo vždy, když se pohyb robota znatelně zpomalí. Poté vraťte robota (s vyprázdněnou přihrádkou na nečistoty) do bazénu a nechte jej běžet zbývající část cyklu.

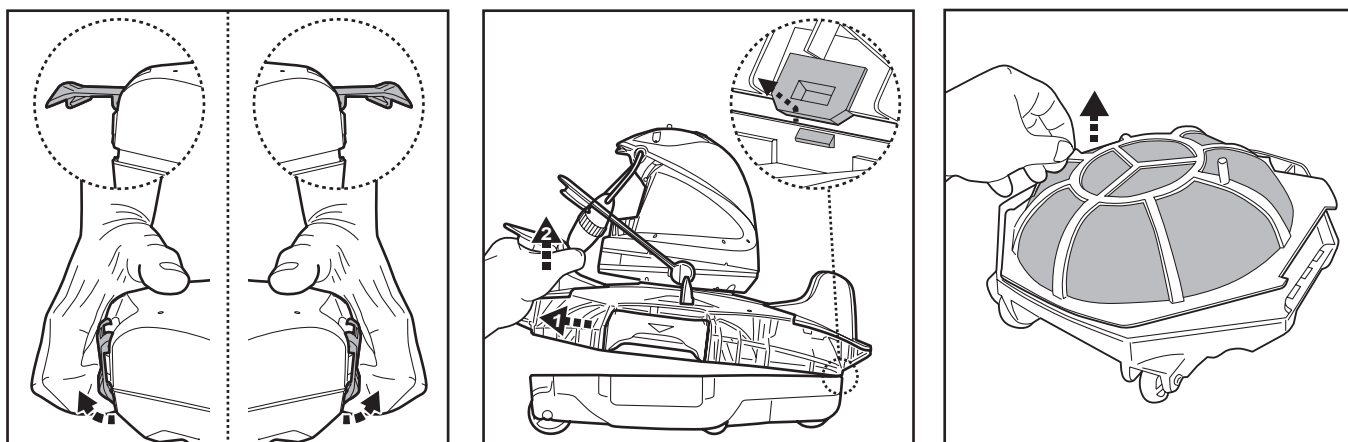
VYPRÁZDNĚNÍ PŘIHRÁDKY NA NEČISTOTY

VAROVÁNÍ! Použití robota bez nasazeného krytu filtru bude **NEPLATNÉ** vaší záruky.

Abyste maximalizovali účinnost čištění, vyčistěte přihrádku na nečistoty a kryt filtru před a po každém použití.

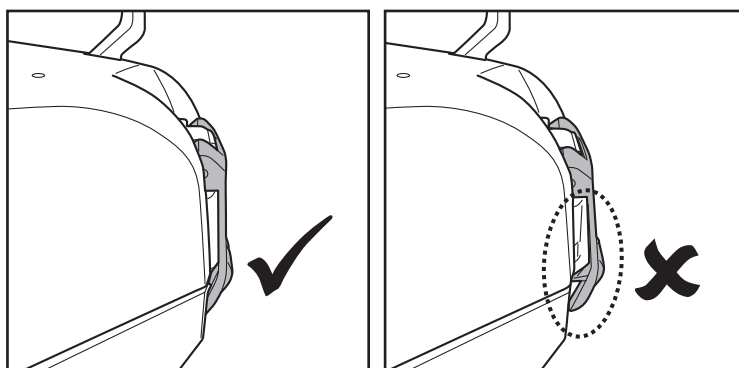
OPATRNOST! Před čištěním přihrádky na nečistoty se ujistěte, že je robot **vypnutý**.

- Umístěte čistič na rovný a pevný povrch. Vypáčte boční svorky a uvolněte horní kryt ze základny. Sejměte horní kryt ze základny, abyste odkryli kryt filtru.



- Sejměte kryt filtru a odstraňte nečistoty z přihrádky. Doporučuje se čistit krycí síť filtru stříkající vodou. Pokud je kartáčování považováno za nutné, používejte pouze měkký kartáč k pečlivému a jemnému čištění, aby nedošlo k poškození.

- Po vyčištění se ujistěte, že je kryt filtru na svém místě, a obraťte výše uvedené kroky, abyste znovu zarovnali horní kryt se základnou. Zatlačte na obě boční svorky, dokud nebudou připevněny k základně. Zvuk "cvaknutí" potvrdí, že je horní kryt připevněn k základně.



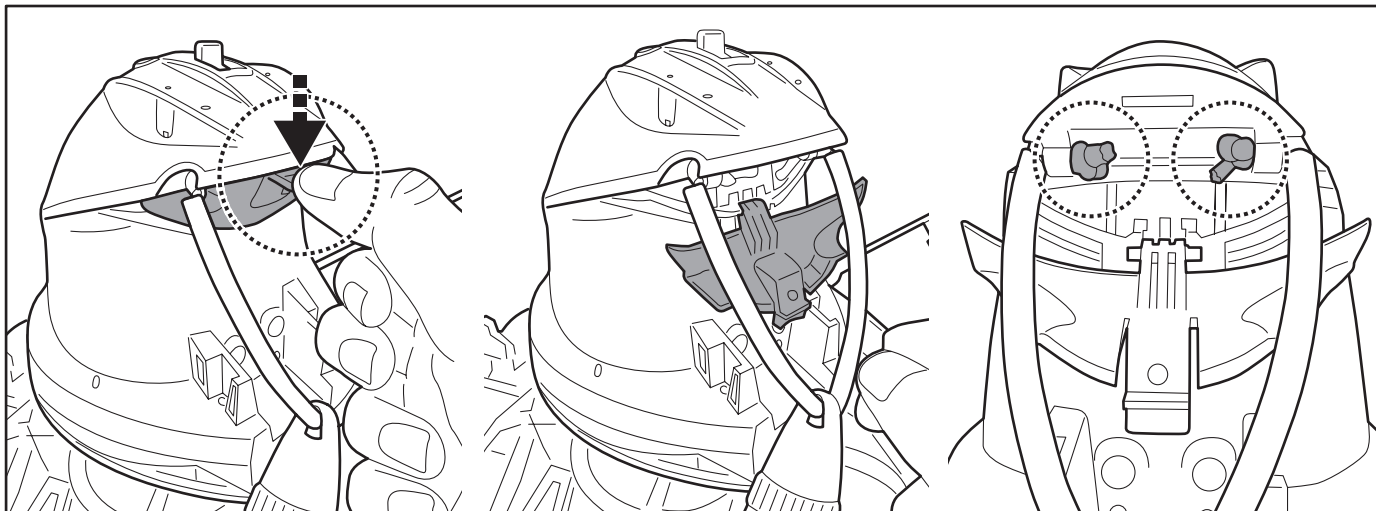
TIPY: Před opětovným nasazením robota do bazénu se ujistěte, že je horní kryt připevněn k základně.

OPATRNOST!

- Před další operací okamžitě vyměňte poškozený kryt filtru za nový.
- Před další operací okamžitě vyměňte poškozenou vytahovací sadu za novou.
- Před další operací okamžitě vyměňte poškozenou klapku za novou.

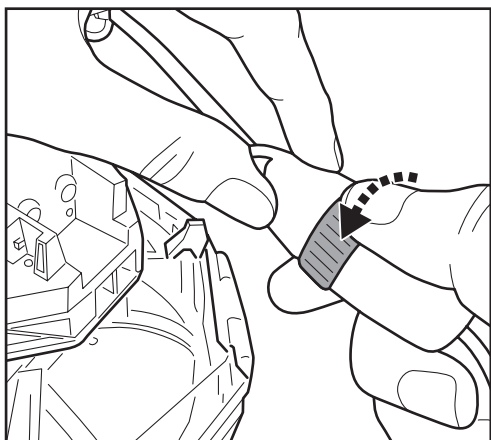
Výměna zvedací smyčky

Stisknutím jazýčku kryt uvolníte. Odstříhnete smyčku a vyměníte ji za novou. Ujistěte se, že oba konce nového oka jsou zajištěny uzlem.

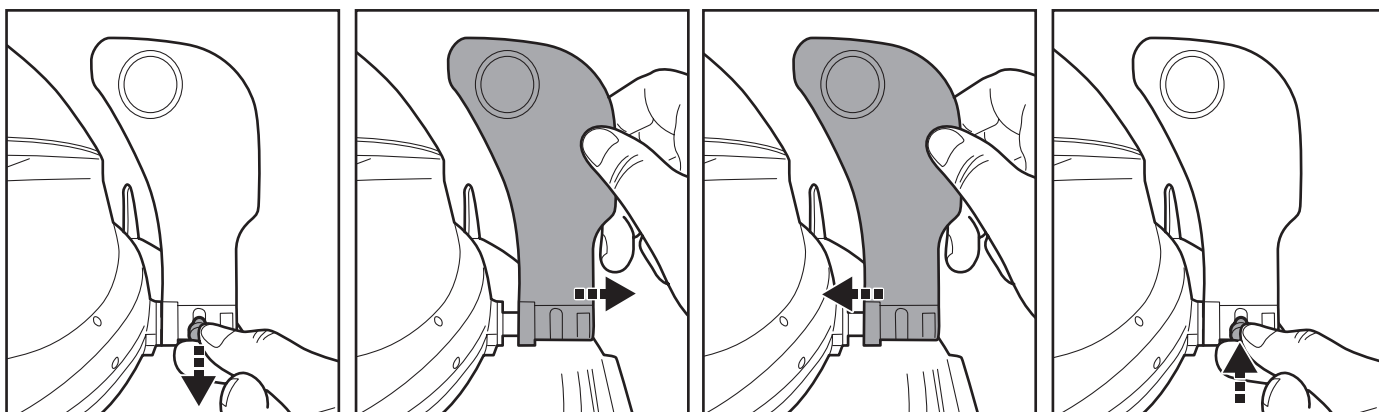


Výměna vyhledávací sady

Najděte šroubovací konektor na zvedací smyčce. Uchopte jeho konec, který je na smyčce, a povolte závitový kroužek, jak je znázorněno, abyste uvolnili spojení. Opakováním těchto kroků nainstalujte novou sadu pro vyhledávání.



Výměna klapky



POZNÁMKA:

- 1) Po každém použití nezapomeňte vyčistit a osušit oblasti kolem nabíjecího portu a vodních senzorů, abyste zabránili tvorbě skvrn (vedlejší produkt přirozené chemické reakce mezi elektrickým proudem a vodou). V opačném případě lze skvrny odstranit lehkým drhnutím vatovou tyčinkou namočenou ve šťávě z citronu nebo octa.
- 2) Baterie se během skladování sama vybíjí. Před uskladněním se ujistěte, že je robot plně nabitý.
- 3) Baterii musíte dobít alespoň jednou za tři měsíce, když se nepoužívá.
 - Odpojte externí adaptér ze zásuvky a nabíjecí konektor od robota.
 - Odpojte příslušenství od robota. V případě potřeby opláchněte robota a příslušenství čistou vodou. **NEPOUŽÍVEJTE** čisticí prostředek.
 - Před uskladněním nezapomeňte z robota vypustit vodu.
 - Použijte reklamuamp hadříkem k čištění a osušení robota a jeho příslušenství.
 - Skladujte je na dobře větraném místě mimo dosah slunečního záření, tepla, zdrojů vznícení, bazénových chemikálií a dětí. Okolní teplota pro skladování by měla být 10 °C – 25 °C (50 °F – 77 °F). **POZNÁMKA:** Vyšší skladovací teplota může snížit životnost baterie.

VAROVÁNÍ! Za žádných okolností byste neměli otáčet hlavu a vyměňovat její vnitřní součásti sami. Pokud tak učiníte, dojde ke ztrátě záruky, vystavíte se potenciálním nebezpečím a případně poškodíte zařízení a další vlastnosti.

OPATRNOST!

- Nadměrné teplo může poškodit baterii a v důsledku toho snížit životnost vašeho robota.
- Poradte se se svým prodejcem o výměně baterie, pokud dojde k následujícímu:
 - Baterie se plně nenabíjí.
 - Doba provozu na baterie se zřetelně zkracuje. Sledujte a zaznamenávejte doby chodu několika prvních operací (při plném nabití). Tyto doby běhu použijte jako referenční bod pro srovnání s časy běhu v budoucnu.
- Před sešrotováním robota musí být z robota vyjmuta baterie.
- Při vyjímání baterie musí být robot odpojen od elektrické sítě.
- Baterie musí být bezpečně zlikvidována v souladu s místními nařízeními nebo předpisy.

POZNÁMKA: Nesprávná údržba může snížit životnost baterie a v důsledku toho ovlivnit její kapacitu.

LIKVIDACE BATERIE (Provádí autorizovaný technik)

Váš robot je vybaven bezúdržbovou dobíjecí lithium-iontovou baterií, která musí být řádně zlikvidována. Je vyžadována recyklace; Další informace vám poskytne místní úřad.

VAROVÁNÍ! Nikdy se nepokoušejte baterii rozebírat.

- Odstraňte všechny osobní věci, jako jsou prsteny, náramky, náhrdelníky a hodinky, když je baterie odpojena od robota.
- Baterie může produkovat zkratový proud dostatečně vysoký na to, aby přivářil prsten (nebo podobný předmět) ke kovu, což způsobí vážné popálení.
- Při vyjímání bateriového bloku používejte kompletní ochranu očí, rukavice a ochranný oděv.
- Nedotýkejte se zcela vodičů a zabraňte kontaktu mezi nimi a kovovými předměty, které by mohly způsobit jiskření a/nebo zkrat baterie.
- Nikdy nekuřte a nedovolte, aby se v blízkosti baterie nebo robota objevily jiskry nebo plameny.
- Nevystavujte baterii ohni nebo intenzivnímu teplu, protože by mohlo dojít k výbuchu.

OPATRNOST!

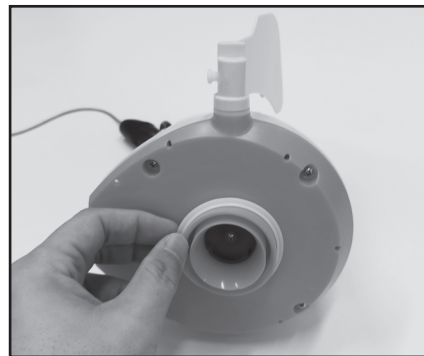
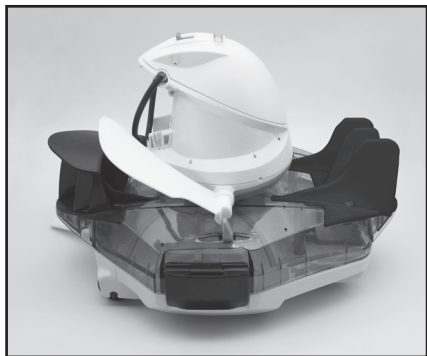
Pokud dojde k vytečení baterie, vyhněte se jakémukoli kontaktu s unikajícími kapalinami a vložte poškozenou baterii do plastového sáčku.

- Pokud se unikající kapaliny dostanou do kontaktu s pokožkou a oděvem, okamžitě je omyjte velkým množstvím mýdla a vody.
- Pokud se unikající tekutiny dostanou do očí, nemněte si oči, okamžitě oči vyplachujte studenou tekoucí vodou po dobu alespoň 15 minut a nemněte je. Co nejdříve vyhledejte lékařskou pomoc.

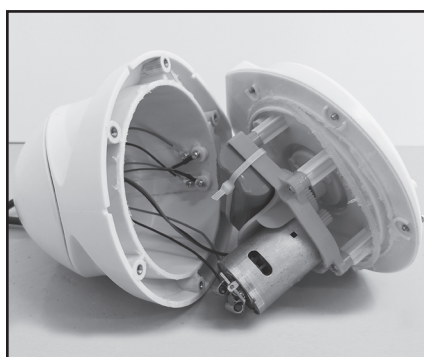
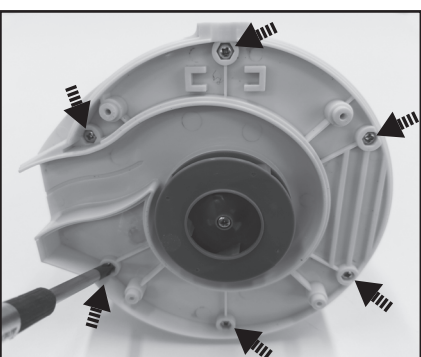
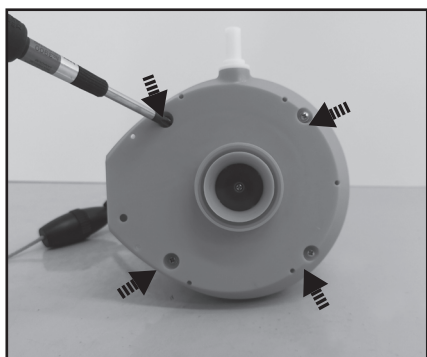
Jak vyjmout baterii pro likvidaci baterie (Provede autorizovaný technik)

Doporučené nástroje (nejsou součástí dodávky): Šroubovák.

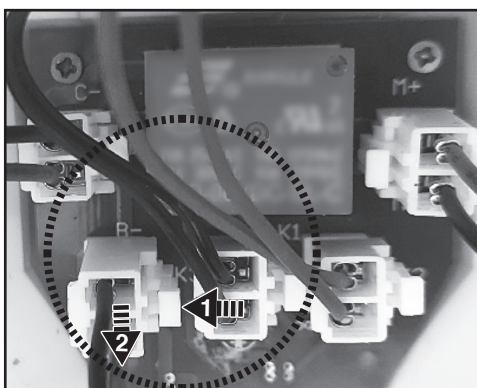
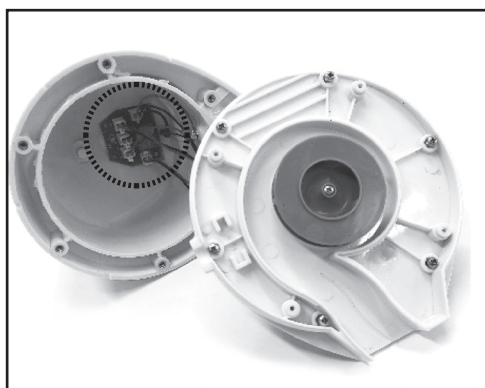
- 1) Podle části **“VYPŘÁZDNĚNÍ PROSTORU NA NEČISTOTY”** uvolněte horní kryt (předmontovaný s otočnou hlavou). Otočte spodní zajišťovací desku proti směru hodinových ručiček, abyste uvolnili otočnou hlavu. Sejměte otočný vyhlazovací kroužek.



- 2) Pomocí šroubováku odšroubujte 4 šrouby umístěné ve spodní části hlavy, abyste nejprve uvolnili spodní desku. Poté vyšroubujte všechny šrouby na základně, jak je znázorněno. Vypáčte základnu a odkryjte hlavu uvnitř.

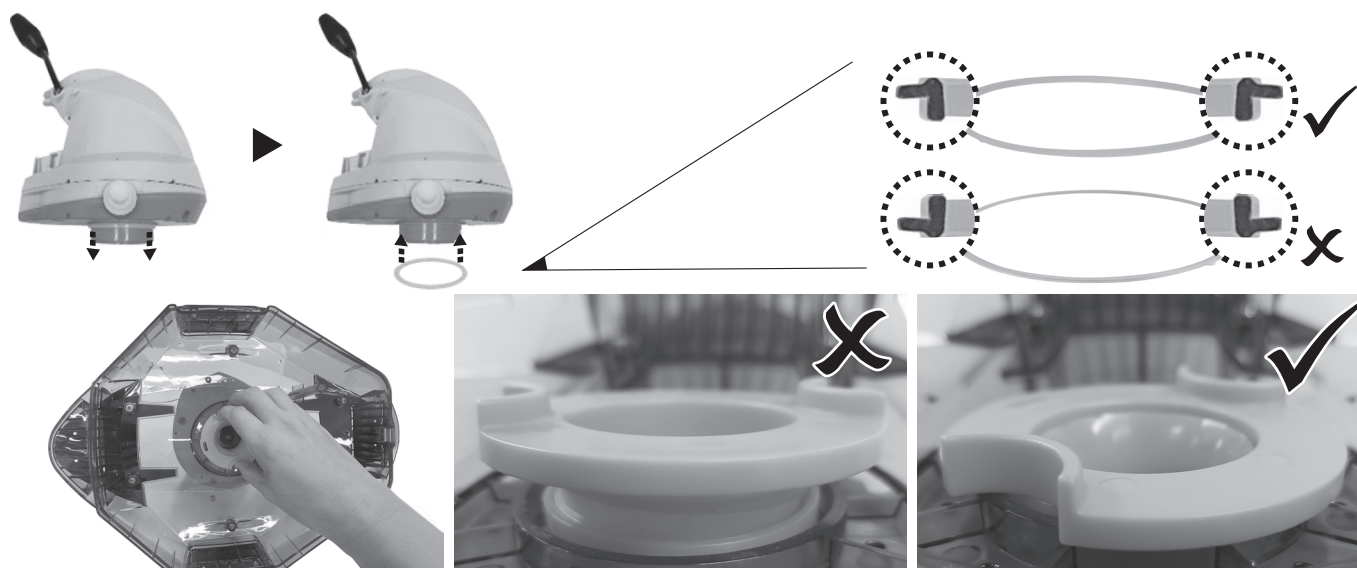




- 3) Vyjměte baterii a odkryjte PCBA. Chcete-li odpojit propojovací vodič baterie, zatlačte na sponu konektoru a vytáhněte jej. **POZNÁMKA:** Konektor okamžitě omotejte izolační páskou, aby nedošlo ke zkratu způsobenému kontaktem obou svorek vodiče.



ŘEŠENÍ PROBLÉMŮ

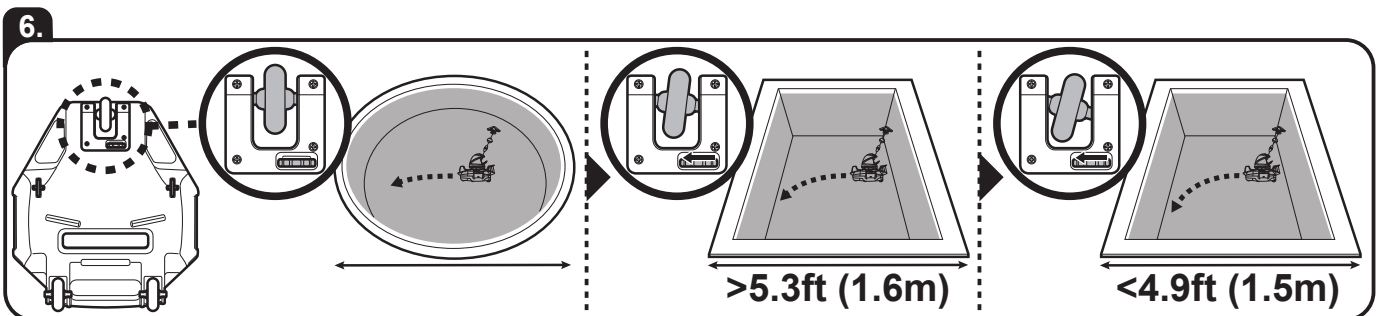
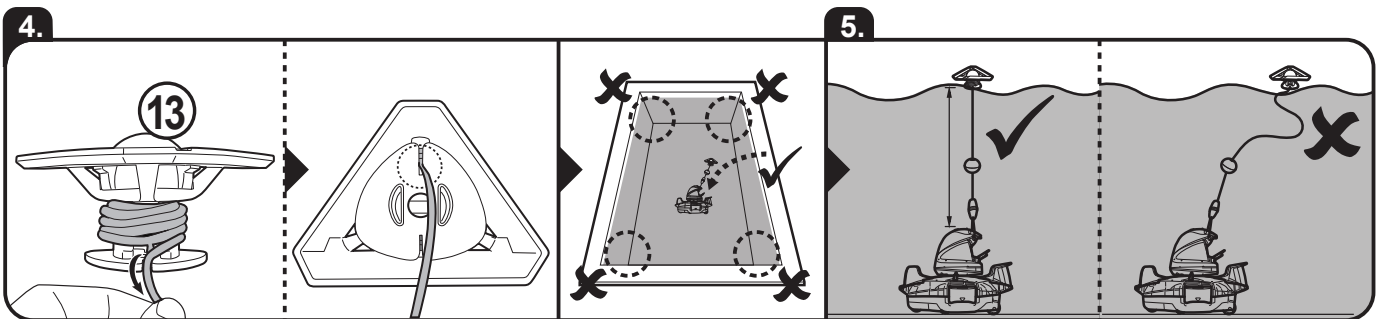
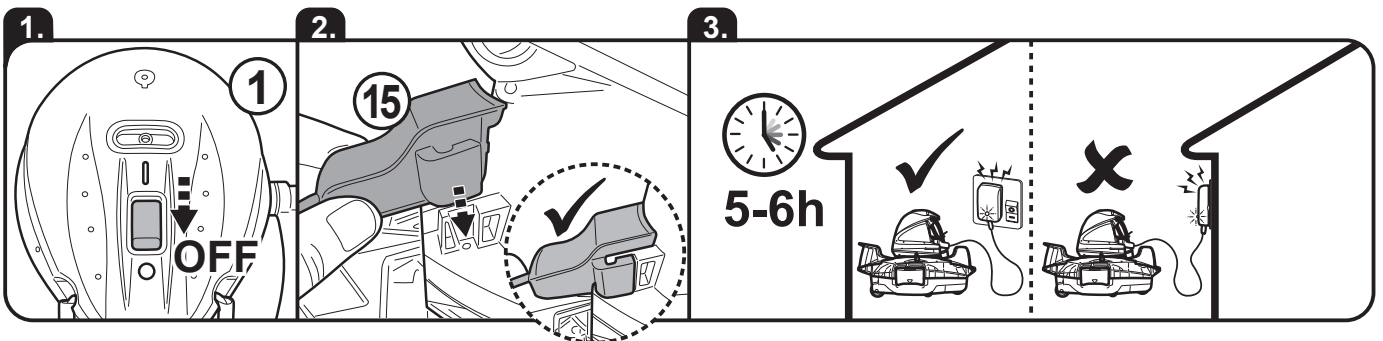
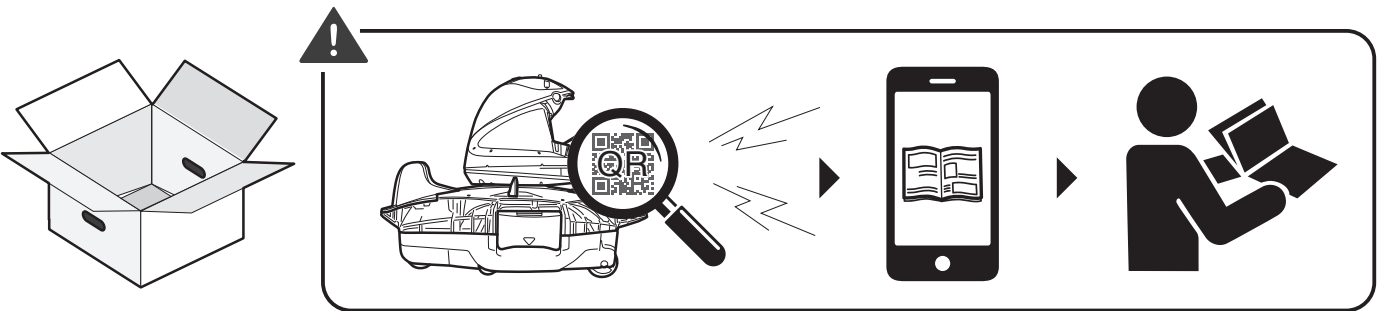
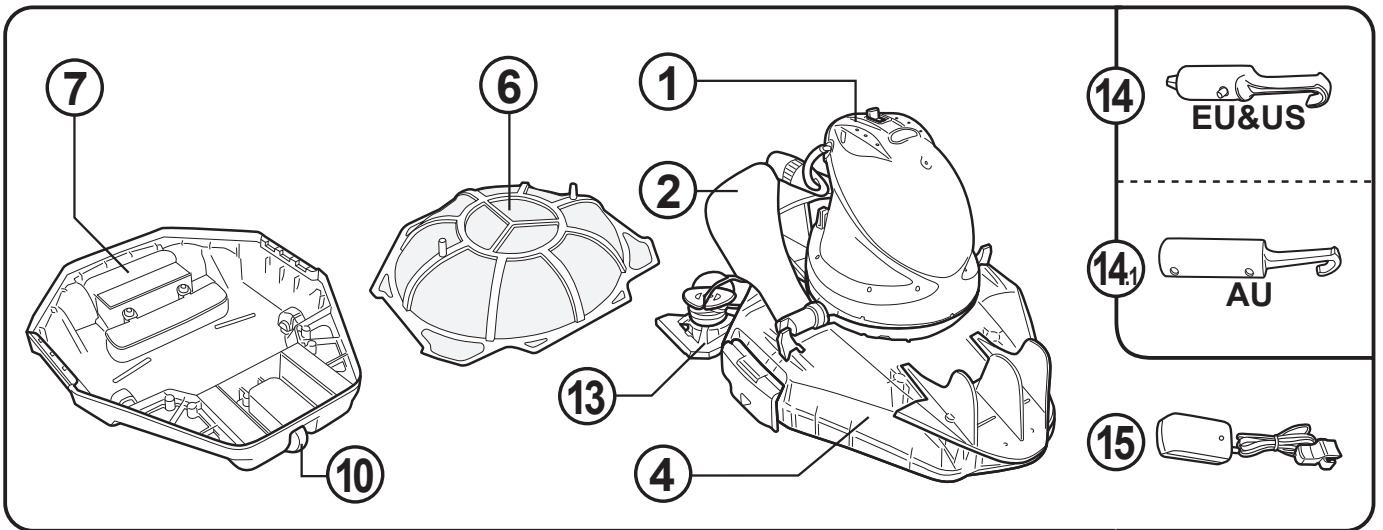
Problém	Možná příčina	Řešení
Robot nezačne pracovat pod vodou	Senzory znečištěné vody	K vyčištění a odstranění skvrn použijte vatovou tyčinku namočenou ve šťávě z citronu nebo octa.
Robot nezachytává trosky	Baterie se vybíjí	Znovu nabijte robota.
	Oběžné kolo je zaseknuté	Vypněte robota a zkontrolujte otvor pod otočnou hlavou, abyste zjistili, zda není oběžné kolo zaseknuté velkými nečistotami. V případě potřeby se obraťte na svého prodejce a požádejte ho o další pokyny. VAROVÁNÍ! Před zahájením servisu jednotky se ujistěte, že je robot vypnutý.
	Sací hrdlo je ucpané	Odstraňte ucpané předměty ze sacího hrdla.
	Oběžné kolo je rozbité	Požádejte o výměnu svého prodejce.
	Příhrádka na nečistoty je plná	Vyčistěte příhrádku na nečistoty i kryt filtru.
Robot se přestal pohybovat v Střed bazénu, ale otočná hlava se stále otáčí	Robot zastavený překážkou nebo velké záhyby na fólii bazénu	Zkontrolujte, zda čističi něco nebrání. Odstraňte překážku.
	Robotovi brání sání z hlavního odtoku dna bazénu	Vypněte filtrační systém podle pokynů v návodu.
Otočná hlava se opakovaně otáčí	Vzduch zachycený uvnitř robota	Ponořte robota, dokud je stále vypnutý v bazénu, a před zapnutím s ním několikrát jemně zatřeste, abyste usnadnili vypouštění vzduchu (když je robot stále ponořený). Otočná hlava se může po klesnutí robota na dno bazénu krátce opakovaně otáčet. Tento jev se zastaví, jakmile je vzduch zachycený uvnitř robota vypuštěn a robot se začne pravidelně pohybovat.
Robot nezakrývá celý bazén	Příhrádka na nečistoty je plná	Vyčistěte příhrádku na nečistoty.
	Provozní doba je kratší než očekávaný	Vyčistěte prostor filtru a nabijte robota po dobu 6 hodin.
	Směr pohybu je přerušen cirkulací vody generovanou filtračním systémem	Vypněte filtrační systém (podle pokynů ve filtračním manuálu) nejméně 15 minut před uvedením robota do provozu.
	Kolo je zaseknuté	Zkontrolujte a odstraňte nečistoty z kola.
	Poloha předního kola není správně nastavena	Podle pokynů upravte polohu předního kola.
	Řasy vykreslují dno bazénu kluzké, což má za následek robot se pohybuje v kruzích	Vydrhněte dno bazénu a kola robota, abyste odstranili řasy.
Robot se pohybuje po stěně bazénu	Poloha předního kola není správně nastavena / na začátku je špatně nastaven směr pohybu robota	Podle pokynů upravte nastavení předního kola. Ujistěte se, že přední/zadní část robota na začátku směřuje ke stěně bazénu.
Robot se pohybuje pomalu nebo dělá vůbec se nehýbal	Příhrádka na nečistoty je plná nebo kryt filtru je ucpaný	Vyčistěte příhrádku na nečistoty. Opláchněte obrazovku vodou, abyste odstranili malé částice. Pokud je kartáčování považováno za nutné, jemně očistěte obrazovku měkkým kartáčem. Poznámka: Před další operací se ujistěte, že je kryt filtru na svém místě.
	Sací hrdlo je ucpané	Odstraňte ucpané předměty ze sacího hrdla.
	Oběžné kolo je zaseknuté	Vypněte robota a zkontrolujte otvor pod otočnou hlavou, abyste zjistili, zda není oběžné kolo zaseknuté velkými nečistotami. V případě potřeby se obraťte na svého prodejce a požádejte ho o další pokyny. VAROVÁNÍ! Před zahájením servisu jednotky se ujistěte, že je robot vypnutý.
Otočná hlava se neotáčí ani otáčeje ztuhlou pomalu	Boční klapka se nevysune	Zkontrolujte a odstraňte veškeré nečistoty, které brání pohybu klapky. Vypněte filtraci bazénu, aby nedošlo k narušení pohybu bočních klapek cirkulací vody.
	Dno otočné hlavy je zaseknuté	Odpojte otočnou hlavu a vyhlazovací kroužek podle pokynů v části "Jak vyjmout baterii" z návodu k použití, poté: - Odstraňte zachycené nečistoty. - Zkontrolujte hladicí kroužek, zda není poškozený a opotřebený. V případě potřeby vyměňte za nový. - Zkontrolujte, zda jsou vyhlazovací kroužek a spodní deska správně nainstalovány. (viz níže uvedená schémata)

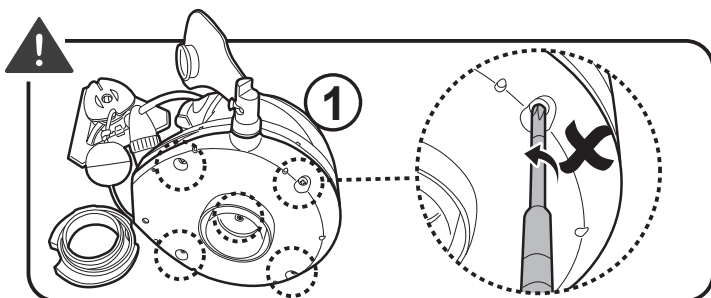
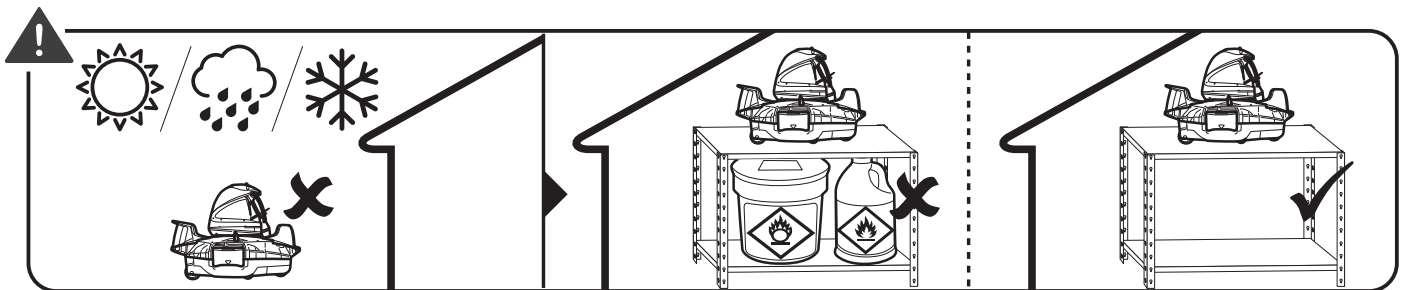
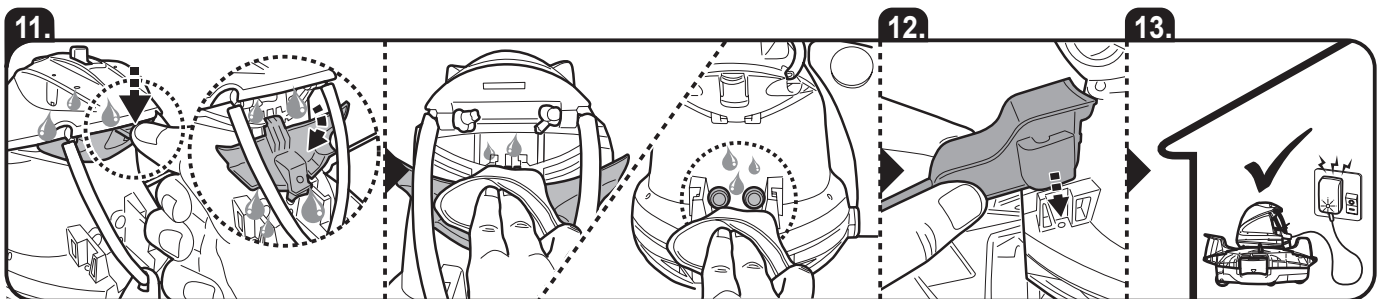
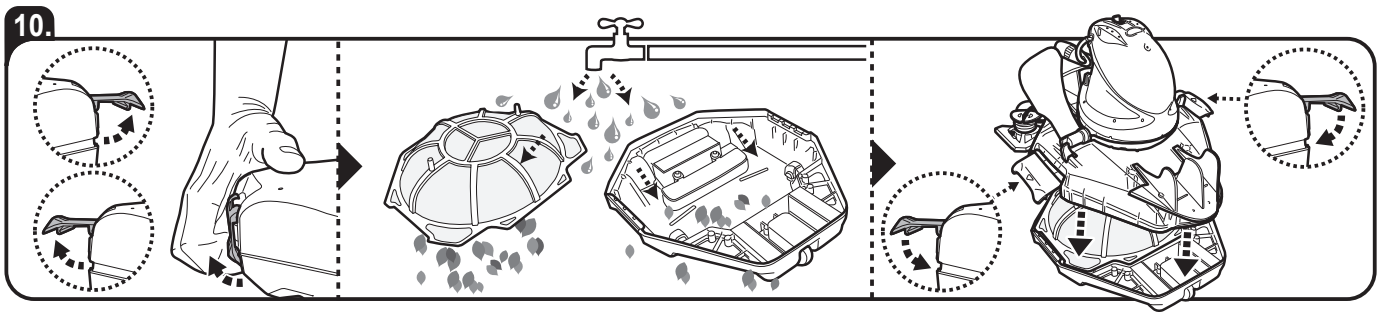
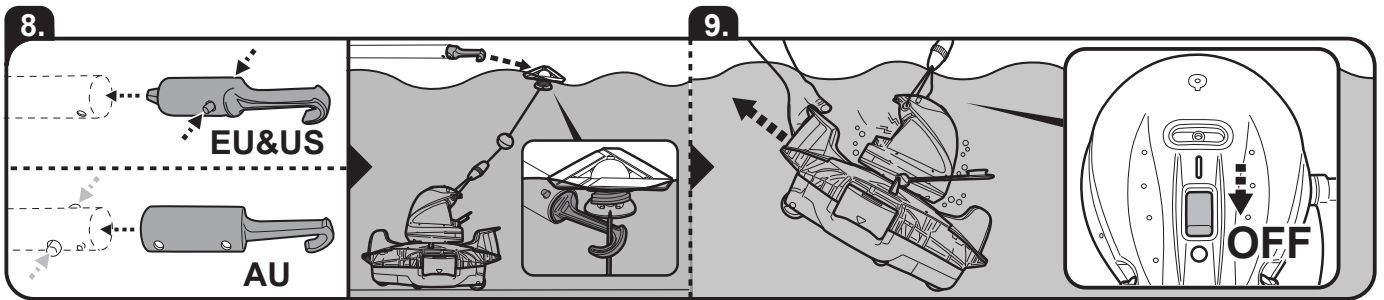
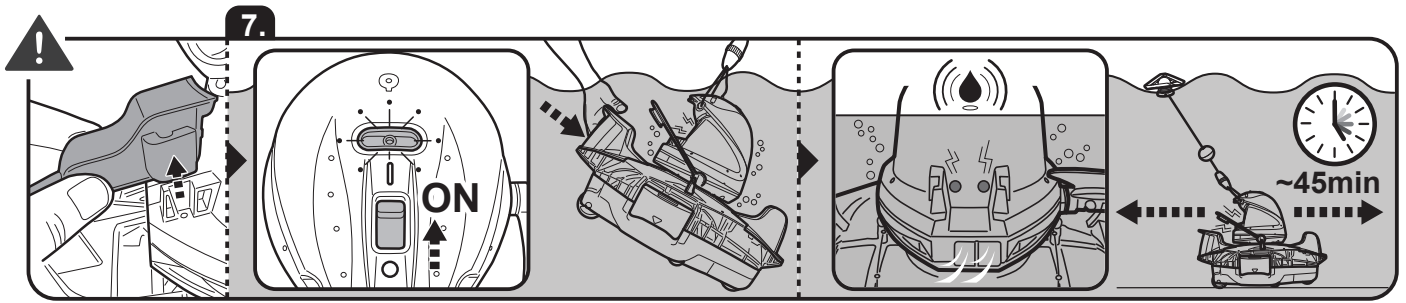


Problém	Možná příčina	Řešení
Z robota unikají trosky	Klapka sacího hrdla (na dně čističe) je poškozená	Klapka sacího ústí funguje jako dveře, aby se zabránilo úniku nečistot z prostoru pro nečistoty. Kontaktujte prodejce pro náhradní díly a pokyny.
	Nečistoty se při sání ucpávají ústa a zabraňuje vzniku klapky zavřít	Odstraňte ucpané nečistoty z odsávacího hrdla.
Nečistoty unikají ven na kryt filtru	Sítka krytu filtru je poškozená	Vyměňte jej za nový kryt filtru od vašeho prodejce.
Kulaté plovákové dřezy	Poškozený plovák a voda vytékání	Vyměňte za nový plovák od vašeho prodejce.
Vytahovací šňůra je zalomená	Délka stahovací šňůry je příliš dlouhá	Upravte délku podle pokynů v návodu.
Doba trvání čisticího cyklu je kratší, než je inzerováno	Baterie není plně nabitá	Nabíjejte robota po dobu alespoň 6 hodin. POZNÁMKA: Pokud jsou na nabíjecích podložkách nějaké skvrny, odstraňte je pomocí vatového tamponu namočeného v citronové šťávě nebo octu.
Robota nelze nabíjet / dobíjet	Baterie je poškozená	Pro výměnu baterie kontaktujte prodejce. VAROVÁNÍ! NEVYMĚŇUJTE baterii sami. Mohlo by dojít k vážným nebo smrtelným zraněním a ztrátě záruky v důsledku toho.
	Nabíjecí konektor není kompletně propojený s Robot	Ujistěte se, že je nabíjecí konektor správně a úplně připojen k robotu. Viz návod k použití.
	Externí adaptér je mimo provoz	Pro výměnu kontaktujte prodejce. VAROVÁNÍ! Použití nesprávného externího adaptéru bude mít za následek poškození robota / baterie a v důsledku toho ztrátu záruky.
Ekologické programy, Evropská směrnice		
	Dodržujte prosím předpisy Evropské unie a pomáhejte chránit životní prostředí. Nefunkční elektrické zařízení zašlete do firmy stanovené vašim obecním úřadem pro řádnou recyklaci elektrických a elektronických zařízení. Zařízení nevyhazujte do kontejnerů s netříděným odpadem. U zařízení obsahujících vyjímatelné akumulátory vyjměte akumulátory před likvidací výrobku.	
	Všechna práva vyhrazena. Žádná část tohoto dokumentu nesmí být reprodukována nebo přenášena v jakékoli formě nebo jakýmkoli prostředky, ať už elektronickými, mechanickými, fotokopírovacími, nahrávacími nebo jinými, bez předchozího písemného souhlasu společnosti Kokido Development Ltd. (L-25010013)	

Pokud potřebujete elektronickou kopii tohoto návodu k použití, obraťte se emailem na náš zákaznický servis: customerservice@kokido.com

TYTO INSTRUKCE SI USCHOVEJTE





LIMITED WARRANTY

GB

Warranty applies to the original owner only and cannot be transferred. Contact your local dealer for warranty. The warranty does not cover:

- Normal wear and tear, including parts that might wear out over time (e.g., brush, rake, filter, filter bag, roller and its accessories, etc.).
- Accidental damage.
- Damage due to inappropriate use against the rating plate and/or instructions provided in the Operating Manual or other material.
- Damage caused by the lack of recommended maintenance.
- Damage from external sources such as transit, weather, electrical outages, or power surges.
- Failures caused by circumstances outside of recommendation (e.g., water temperature, storage temperature, instruction of use and charging environment, etc.).
- Faults caused by:
 - Negligent use, misuse, neglect, or careless operation of the appliance.
 - Use of the appliance not in accordance with the Operating Manual.
 - Use of parts not assembled or installed in accordance with the Operating Manual.
 - Use of parts and accessories which are not Genuine Components.
 - Faulty assembly or installation.
 - Repairs or alterations (if allowed) carried out by unauthorized agents.

GARANTIE LIMITÉE

FR

La garantie ne s'applique uniquement au propriétaire initial et elle ne peut être transférée. Veuillez contacter votre concessionnaire local. La garantie ne couvre pas :

- L'usure normale, y compris les pièces susceptibles de s'user avec le temps (p.ex., brosse, raclette, filtre, sac filtrant, rouleau et les accessoires, etc.).
- Les dommages accidentels.
- Les dommages dus à une utilisation inappropriée non conforme aux informations sur l'étiquette des caractéristiques, aux instructions fournies dans le manuel d'instructions ou autre matériel fournis.
- Les dégâts causés par le manque d'entretien recommandé.
- Les dégâts provenant de sources externes, telles que le transport, les conditions météorologiques, pannes d'électricité, ou surtensions.
- Défaillances causées par des circonstances étrangères aux recommandations (p.ex., température de l'eau, température de stockage, mode d'emploi et environnement de charge, etc.).
- Les dégâts causés par :
 - Utilisation négligente, mauvais usage, négligence ou utilisation imprudent de l'appareil.
 - Utilisation de l'appareil non conforme au manuel d'instructions.
 - Utilisation de pièces qui n'ont pas été montées ou installées conformément au manuel d'instructions.
 - Utilisation de pièces et d'accessoires qui ne sont pas des composants authentiques.
 - Montage ou installation non conforme au manuel d'instructions.
 - Réparations ou altérations (si autorisé) effectuées par un agent non agréé.

GARANTÍA LIMITADA

ES

La garantía se aplica únicamente al propietario original y no es transferible. Póngase en contacto con su distribuidor local para la garantía. La garantía no cubre:

- Desgaste normal, incluidas las piezas que pueden desgastarse con el tiempo (por ejemplo, escobilla a presión, rastrillo a presión, filtro, bolsa filtrante, rodillo y sus accesorios, etc.).
- Daño accidental.
- Daños debidos a un uso inapropiado en contra de las indicaciones de la placa de características y/o de las instrucciones provistas en el manual de instrucciones u otro material.
- Daños causados por la falta de mantenimiento recomendado.
- Daños causados por fuentes externas, como el traslado, el clima, cortes de electricidad o subidas de tensión.
- Fallos causados por circunstancias no incluidas en las recomendaciones de uso (por ejemplo, temperatura del agua, temperatura de almacenamiento, instrucciones de uso y entorno de carga, etc.).
- Averías causadas por:
 - Uso negligente, mal uso, descuido o uso imprudente del aparato.
 - Uso del aparato no conforme al manual de instrucciones.
 - Uso de piezas no ensambladas o instaladas de acuerdo con el manual de instrucciones.
 - Uso de piezas y accesorios que no sean originales.
 - Montaje o instalación defectuosa.
 - Reparaciones o alteraciones (si están permitidas) realizadas por agentes no autorizados.

GARANTÍA LIMITADA

PT

A garantia aplica-se apenas ao proprietário original e não pode ser transferida. Contacte o seu revendedor local para garantia. A garantia não cobre:

- Desgaste e utilização normais, incluindo peças que se possam desgastar com o tempo (por exemplo, escova, ancinho, filtro, saco do filtro, rolo e seus acessórios, etc.)
- Danos acidentais
- Danos devido a utilização inadequada contra a placa de classificação e/ou instruções fornecidas no Manual de Operação ou outro material.
- Danos causados pela falta de manutenção recomendada.
- Danos de fontes externas como, por exemplo, trânsito, clima, falhas elétricas ou picos de corrente.
- Avarias causadas por circunstâncias fora da recomendação (por exemplo, temperatura da água, temperatura de armazenamento, instruções de utilização e ambiente de carregamento, etc.)
- Avarias causadas por:
 - Utilização negligente, má utilização, negligência ou operação descuidada do eletrodoméstico.
 - Utilização do eletrodoméstico não está de acordo com o Manual Operativo.
 - Utilização de peças não montadas ou instaladas de acordo com o Manual Operativo.
 - Utilização de peças e acessórios que não sejam Componentes Genuínos.
 - Montagem ou instalação errada.
 - Reparações ou alterações (se permitidas) realizadas por agentes não autorizados.

GARANZIA LIMITATA

IT

La garanzia è valida solo per il proprietario originale e non può essere trasferita. Per la garanzia, rivolgersi al rivenditore locale. La garanzia non copre:

- Normale usura, comprese le parti che potrebbero usurarsi nel tempo (ad esempio, spazzola, rastrello, filtro, sacchetto del filtro, rullo e relativi accessori, ecc.).
- Danno accidentale.
- Danni dovuti a un utilizzo non conforme alla targhetta e/o alle istruzioni fornite nelle Istruzioni per l'uso o in altro materiale.
- Danni causati dalla mancata manutenzione raccomandata.
- Danni causati da fonti esterne come transito, condizioni atmosferiche, interruzioni di corrente o sbalzi di tensione.
- Guasti causati da circostanze che esulano dalle raccomandazioni (ad esempio, temperatura dell'acqua, temperatura di conservazione, istruzioni d'uso e ambiente di ricarica, ecc.).
- Guasti causati da:
 - Uso negligente, uso improprio, negligenza o disattenzione nell'utilizzo dell'apparecchio.
 - Utilizzo dell'apparecchio non conforme alle istruzioni per l'uso.
 - Utilizzo di parti non assemblate o installate in conformità alle istruzioni per l'uso.
 - Utilizzo di parti e accessori non originali.
 - Montaggio o installazione difettosi.
 - Riparazioni o modifiche (se consentite) eseguite da agenti non autorizzati.

GARANTIEBESCHRÄNKUNG

DE

Die Garantie gilt nur für den Erstbesitzer und kann nicht übertragen werden. Wenden Sie sich für die Garantie an Ihren Händler vor Ort. Folgende Punkte sind von der Garantie nicht abdeckt:

- Normale Abnutzung, einschließlich Teilen, die sich mit der Zeit abnutzen können (z. B. aufsteckbare Bürste, Rechen, Filter, Filterbeutel, Walze und deren Zubehör usw.).
- Unbeabsichtigte Schäden.
- Schäden durch unsachgemäßen Gebrauch wegen Nichtbefolgung des Typenschildes und/oder der Anweisungen in der Bedienungsanleitung oder der Verwendung anderen Materialien.
- Schäden, die durch die Nichtdurchführung der empfohlenen Wartung verursacht wurden.
- Schäden durch äußere Einflüsse wie Transport, Wetter, Stromausfälle oder Überspannungen.
- Fehler, die durch Umstände außerhalb der Empfehlungen verursacht wurden (z. B. Wassertemperatur, Lagertemperatur, Gebrauchsanweisung und Ladeumgebung usw.).
- Fehler infolge nachstehender Punkte:
 - Fahrlässige Verwendung, Missbrauch, Nachlässigkeit oder unvorsichtige Bedienung des Geräts.
 - Verwendung des Geräts nicht in Übereinstimmung mit der Bedienungsanleitung.
 - Verwendung von Teilen, die nicht in Übereinstimmung mit der Bedienungsanleitung montiert oder installiert wurden.
 - Verwendung von Teilen und Zubehör, die keine Originalkomponenten sind.
 - Fehlerhafte Montage oder Installation.
 - Reparaturen oder Änderungen (sofern zulässig), die von nicht autorisierten Personen durchgeführt wurden.

BEPERKTE GARANTIE

NL

Deze garantie geldt alleen voor de oorspronkelijke eigenaar en kan niet worden overgedragen. Neem contact op met uw plaatselijke dealer voor garantie. De garantie dekt in geen geval:

- Normale slijtage, inclusief onderdelen die na verloop van tijd kunnen slijten (bv. borstel, hark, filter, filterzak, roller en toebehoren, enz.).
- Accidentele schade.
- Schade als gevolg van oneigenlijk gebruik dat niet in overeenstemming is met het typeplaatje en/of de instructies in de Gebruikshandleiding of ander materiaal.
- Schade veroorzaakt door het niet uitvoeren van het aanbevolen onderhoud.
- Schade door externe oorzaken zoals transport, weersomstandigheden, stroomuitval of stroompieken.
- Defecten veroorzaakt door omstandigheden buiten de aanbeveling (bv. watertemperatuur, opslagtemperatuur, gebruiksaanwijzing en laadomgeving, enz.).
- Schade veroorzaakt door:
 - Onachtzaam gebruik, verkeerd gebruik, verwaarlozing of onzorgvuldige bediening van het apparaat.
 - Gebruik van het apparaat dat niet in overeenstemming is met de Gebruiksaanwijzing.
 - Gebruik van onderdelen die niet volgens de Gebruiksaanwijzing gemonteerd of geïnstalleerd zijn.
 - Gebruik van onderdelen en accessoires die geen originele onderdelen zijn.
 - Foutieve montage of installatie.
 - Reparaties of wijzigingen (indien toegestaan) die zijn uitgevoerd door onbevoegden.

OMEZENÁ ZÁRUKA

CZ

Záruka se vzťahuje pouze na původního majitele a nelze ji převádět. Ohledně záruky se obraťte na místního prodejce. Záruka se nevztahuje na:

- běžné opotřebení, včetně dílů, které se mohou časem opotřebovat (např. kartáč, hrábě, filtr, filtrační vak, válec a jeho příslušenství atd.).
- Náhodné poškození.
- Poškození způsobené nevhodným používáním v rozporu s výrobním štítkem a/nebo pokyny uvedenými v návodu k obsluze nebo v jiných materiálech.
- Poškození způsobené nedostatečnou doporučenou údržbou.
- Poškození z vnějších zdrojů, jako je přeprava, povětrnostní vlivy, výpadky elektrického proudu nebo přepětí.
- Poruchy způsobené okolnostmi mimo doporučení (např. teplota vody, teplota skladování, návod k použití a prostředí pro nabíjení atd.).
- Poruchy způsobené:
 - Nedbalým používáním, nesprávným používáním, nedbalostí nebo neopatrným provozem spotřebiče.
 - Používání spotřebiče v rozporu s návodem k obsluze.
 - Použití dílů, které nebyly sestaveny nebo instalovány v souladu s návodem k obsluze.
 - Použití dílů a příslušenství, které nejsou originálními součástmi.
 - Chybná montáž nebo instalace.
 - Opravy nebo úpravy (pokud jsou povoleny) provedené neoprávněnými osobami.



We reserve the right to change all or part of the features of the articles or contents of this document, without prior notice.
International patents pending



Ci riserviamo il diritto di modificare integralmente o parzialmente le caratteristiche degli articoli o del contenuto del presente documento senza preavviso.
Patenti internazionali in attesa



Nous nous réservons le droit de modifier tout ou partie des caractéristiques des articles ou des contenus de ce document, sans notification préalable.
Brevets internationaux en attente



Wir behalten uns das Recht vor, Aspekte der Artikel bzw. den Inhalt dieses Dokuments jeweils ganz oder teilweise ohne vorherige Ankündigung zu ändern.
International zum Patent angemeldet



Nos reservamos el derecho de modificar la totalidad o parte de las características de los artículos o contenidos de este documento sin aviso previo.
Patentes Internacionales pendientes



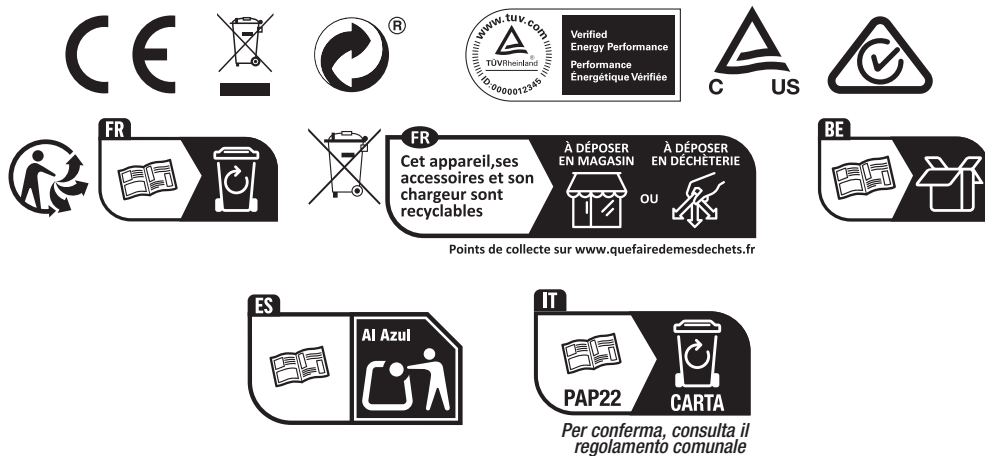
Wij behouden ons het recht voor om zonder voorafgaande kennisgeving de artikelen of de inhoud van dit document te wijzigen.
In afwachting van internationale patenten



Reservamo-nos o direito a alterar a totalidade ou parte das funcionalidades dos artigos ou conteúdos deste documento sem aviso prévio.
Patentes internacionais pendentes



Vyhrazujeme si právo na změnu všech nebo části vlastností článků nebo obsahu tohoto dokumentu bez předchozího upozornění.
Mezinárodní patenty v řízení



Manufacturer / Fabricant / Fabricante / Fabricante / Fabbricante / Hersteller / Fabrikant / Výrobce:

© 2026 Kokido Development Limited
Unit 1319, Sunbeam Centre, 27 Shing Yip Street,
Kwun Tong, Kowloon, HK

Made in China / Fabriqué en Chine / Fabricado en China / Feito na China / Fatto in Cina /
Hergestellt in China / Gemaakt in China / Vyrobeno v Číně

RC017AAAAMARV01IM

Translated by AI / Traduit par l'IA / Traducido por IA / Traduzido por IA / Tradotto da AI / Von KI übersetzt / Vertaald door AI / Přeloženo umělou inteligencí